



2023

FOR YOUR HOME.
FOR YOUR OFFICE.
FOR YOUR LIFE.

FORKS VALLEY WOODWORKING



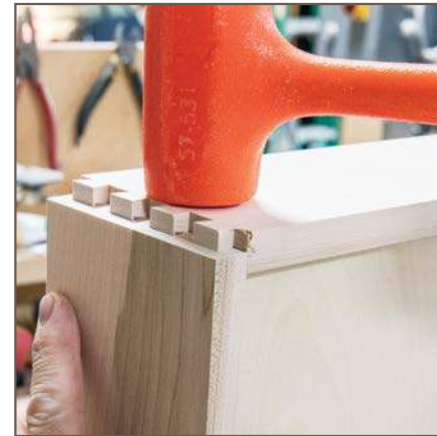


BEAUTIFUL, DURABLE & VERSATILE

Each style in the Forks Valley collections is unique in its own way and each decorator has many styles from which to choose depending on the effect desired. When reviewing our offerings, please remember that the choice of woods... oak, cherry, brown maple, hickory or quartersawn white oak... enhances the versatility of each style so rustic pieces or more modern pieces can blend well with most any room decor.

TABLE OF CONTENTS

Occasionals.....	44
Media Stands, Cabinets & Consoles	80
Wall Units.....	110
Corner Media Consoles & Hutches	126
Bookcases & Stereo Cabinets....	132
Home Office & Business Furnishings	146
Glass, Mullions & Hardware Options	192
Dimensional Details	195



Fine furniture is only as good as the wood used to build it. At Forks Valley, we only accept the highest grade North American hardwoods, painstakingly selected for beauty, strength and straightness. Boards are cut to size, color-sorted and grain-matched before being bonded together with a permanent furniture glue to create extremely durable tops and sides for our furniture.

No automated assembly lines. No mass production. Our furniture is hand-constructed by experienced craftsmen specifically trained in Forks Valley manufacturing methods. We use specialized equipment to produce uniform raised panel doors and time-tested joinery methods – mortise & tenon, dovetail, mitered, tongue & groove – for solid quality through and through.



We plane and sand then sand again using a combination of careful machine and meticulous hand sanding. This attention to detail is vital to giving each piece a smooth, silky surface ready for application of the perfect custom finish.

Haste is never part of our process. There is no rushing a work of art destined to be a lasting reflection of your lifestyle and values. The final finish is trusted only to a master craftsman who skillfully applies the stain to ensure a smooth, even coat. In the last step of the manufacturing process, a protective varnish gives the piece a lustrous and tough surface that resists damage caused by normal use.



Before any Forks Valley furniture leaves our workshop, it undergoes a rigorous all-over inspection. If the smallest imperfection in wood, finish, mechanics or hardware is found, the problem is resolved and the piece goes through the entire inspection process once more. The final result is heirloom quality furniture, each piece unique and admired for generations to come.

Forks Valley Woodworking

respectfully reserves the right to make changes at any time to prices, materials, specifications, hardware, colors/finishes, models and to discontinue models without notice or obligation. Color reproductions are as close as photographic and print reproduction will allow. All woods and finishes show some degree of variation due to the natural characteristics of wood.

Artesa

The elegantly rugged look of the Artesa style adds character to any room and fits as easily into a chic, modern condo as in a rustic log home. With arches, corbels and strongly tapered legs, Artesa furniture inspires compliments from all who see it.



COLLECTIONS



Artesa Collection

Artistically contrasting graceful arches and boldly tapered legs.

Occasionals	46-47
Media Stands / Cabinets	82, 104
Wall Units	112
Corner Media Consoles / Hutches	128, 130
Bookcases	134, 141, 143
Home Office	148-153



FVET-A
End Table



FVCS-A
Chair Side End Table



FVCT-A
Coffee Table



FVCT-A-LT
Lift-Top Coffee Table



FVST-A
Sofa Table



FVCT-38R-A
Round Coffee Table



FVCT-A-GT
Glass-Top Coffee Table



FVET-A-DWR
End Table w/Drawer



FVCT-A-DWR
Coffee Table w/Drawer



FVST-A-DWR
Sofa Table w/Drawers



FVE-3663-A-BP
Media Stand



FVE-048-A
Media Stand



FVE-060-A-BP
Media Stand



FVE-072-A-BP
Media Stand



FVE-3672-A-FP
Media Stand with fireplace



FVE-060-A
Two-Piece Media Cabinet



FVE-193-A
3-Piece Wall Unit



FVE-191-A
Wall Unit (Center Unit Only)



FVE-3060-A
Corner Media Console



FVE-053-A-BP
Corner Media Console



FVE-053-A
2-Piece Corner Media Console w/Hutch

Artesa

Collection (continued)



FVB-011-A-6ft
72" Bookcase



FVB-010-A
80" Bookcase



FVB-5466-A
66" Bookcase



FVBR-4DR-A
Barrister Bookcase



FVB-012-A-6ft
72" Double Bookcase



FVD-2849-A
Desk



FVD-2654-A
Writer's Desk



FVD-2865-HT-A
2-Piece Desk & Hutch Top



FVD-3365-A
Curved Top Desk (only
finished back)



FVF-2DWR-A
2-Drawer File Cabinet
unfinished back



FVLC-063-A
Lateral File Credenza



FVF-2DWR-A-F
2-Drawer File Cabinet
finished back



FVL-2144-A
Lateral File Credenza



FVD-7872L-A
L Desk



FVD-3371-A-S/S
Sit-to-Stand Desk
finished back



FVD-7878L-HT-A
L Desk
3-piece desk base & hutch



FVD-7878L-A
L Desk
2-piece desk base



FVBB-2590-A
Backbar
1-piece base



FVBB-2590-HT-A
Backbar
4-piece base & hutch



FVL-2144-HT-A
2-piece Lateral File Credenza
with bookcase

Boulder Creek

Gently curved legs, ebony inlays, and arched skirts distinguish the Boulder Creek collection. This contemporary look adds a touch of warmth and classic style to any entertainment or living room. Hand made by skilled Amish craftsmen, Boulder Creek furniture is available in a choice of sustainably harvested hardwoods.



Boulder Creek Collection

Dignified display of bowed legs, arches and ebony inlays.

Occasionals	48-49
Media Stands / Cabinets	83-84, 105
Wall Units	113
Corner Media Consoles / Hutches	128, 130
Bookcases	135, 141, 143
Home Office	154-162



FVCT-BC
Coffee table w/Drawer



FVET-22R-BC
Round End Table



FVCT-38R-BC
Round Coffee Table



FVET-BC
End Table



FVCT-BC-LT
Lift-Top Coffee Table



FVCT-BC-EN
Enclosed Coffee Table



FVST-BC-EN
Enclosed Sofa Table



FVET-BC-EN
Enclosed
End Table



FVCS-BC
Chair Side
End Table



FVCT-BC-EN-LT
Enclosed Lift-top Coffee Table



FVST-BC
Sofa Table



FVE-032-BC-BP
Media Stand



FVE-3663-BC-BP
Media Stand



FVE-060-BC36
Media Stand



FVE-048-BC
Media Stand



FVE-060-BC-BP
Media Stand



FVE-072-BC-BP
Media Stand



FVE-2060-BC
Two-Piece Media Cabinet



FVE-060-BC
Two-Piece Media Cabinet



FVE-049-BC
6-Piece Wall Unit with Adj. Bridge



FVE-2956-BC
Corner Media Console



FVE-053-BC-BP
Corner Media Console



FVE-053-BC
2-Piece Corner Media Console
with Hutch

Boulder Creek Collection (continued)



FVB-011-BC-6ft
72" Bookcase



FVB-010-BC
80" Bookcase



FVB-011-BC-5ft
60" Bookcase



FVBR-4DR-BC
Barrister Bookcase



FVB-012-BC-6ft
Double Bookcase



FVD-2849-BC
Desk



FVD-2654-BC
Writer's Desk



FVD-3371-BC-S/S
Sit-to-Stand Desk



FVD-7882L-BC-S/S
Sit-to-Stand L Desk

Boulder Creek Collection (continued)



FVD-2865-DT-BC
2-piece Desk & Topper



FVF-2DWR-BC-F
2-Drawer File Cabinet
finished back



FVF-2DWR-BC
2-Drawer File Cabinet
unfinished back



FVD-2865-BC
Desk (only)
unfinished back



FVD-3365-BC
Desk (only)
finished back

FVD-2865-HT-BC
2-Piece Base & Hutch Top



FVD-7878L-HT-BC
L Desk
3-piece desk base & hutch



FVD-7878L-BC
L Desk
2-piece desk base



FVD-7872L-BC
2-piece L Desk



FVD-6660L-BC
2-piece L Desk



FVBB-2590-HT-BC
Backbar
4-pc. base & hutch



FVL-2144-BC
Lateral File Credenza



FVBB-2590-BC
Backbar 1-piece base



FVLC-063-BC
Lateral File Credenza



FVL-2144-HT-BC
2-piece Lateral File Credenza
with bookcase

Bridger Mission

Versatile arts & crafts styling with flowing corbels
accenting simple lines.



Bridger Mission Collection

Versatile arts & crafts styling with flowing corbels accenting simple lines.

Bookcases136, 143
Home Office 163



FVB-010-BM
Bookcase



FVB-011-BM-5ft
Bookcase



FVB-011-BM-4ft
Bookcase



FVB-012-BM-6ft
Double Bookcase



FVD-3049-BM
Desk



FVD-3065-BM
Desk

Carlisle Collection

Conservatively avant garde with raised door inserts and softly splayed legs.

Occasionals50-51
Media Stands 85



FVCS-CR
Chair Side End Table



FVET-CR
End Table



FVCT-CR
Coffee Table



FVCT-CR-LT
Lift-Top Coffee Table



FVST-CR
Sofa Table



FVCT-CR-EN
Enclosed Coffee Table



FVCT-CR-EN-LT
Enclosed Lift-Top Coffee Table



FVST-CR-EN
Enclosed Sofa Table



FVET-CR-EN
Enclosed End Table



FVE-3263-CR
Media Stand



FVE-072-CR
Media Stand

CENTENNIAL

Arts and crafts mission characteristics are accented by the rich grains of any of four popular hardwoods. In all Centennial pieces, storage is a key feature. Imagine the artful presence of this collection in any room where family and friends gather.



CENTENNIAL Collection

Arts and crafts inspired
mullions and subtle detailing.

Occasionals	52-53
Media Stands / Cabinets	86, 106
Corner Media Consoles	128
Home Office	164



FVET-CN
End Table



FVCS-CN
Chair Side End Table



FVCT-CN
Coffee Table w/Drawer



FVCT-CN-LT
Lift-Top Coffee Table



FVST-CN
Sofa Table



FVCT-CN-EN-LT
Enclosed Lift-Top Coffee Table



FVCT-CN-EN
Enclosed Coffee Table



FVST-CN-EN
Enclosed Sofa Table



FVET-CN-EN
Enclosed End Table



FVE-032-CN-BP 36
Media Stand



FVE-031-CN
Media Stand



FVE-032-CN-BP
Media Stand



FVE-072-CN-BP
Media Stand



FVE-05-CN
Media Entertainment Center



FVE-06-CN
Media Entertainment Center



FVE-2956-CN
Corner Media Console



FVD-7272L-CN
L Desk
2-piece desk base



FVD-7272L-HT-CN
L Desk
3-piece desk base & hutch

Colbran

Colbran's tapered sides and exposed tenons provide it a unique blend of contemporary and traditional Mission styling. Its strength and durability make it a family-friendly choice that will be used and treasured for decades.



Colbran Collection

Historically charming combination of rustic tenons, angled legs and beveled tops.

Occasionals	54-55
Media Stands / Cabinets	87, 104
Wall Units	114
Bookcases	141
Home Office	165-166



FVET-CB
End Table



FVCT-CB
Coffee Table



FVCT-CB-LT
Lift-Top Coffee Table



FVST-CB
Sofa Table



FVCT-CB-EN
Enclosed Coffee Table



FVCT-CB-EN-LT
Enclosed Lift-Top Coffee Table



FVST-CB-EN
Enclosed Sofa Table



FVET-CB-EN
Enclosed End Table



FVE-032-CB-BP
Media Stand



FVE-031-CB
Media Stand



FVE-072-CB-BP
Media Stand



FVE-032-CB
2-Piece Media Cabinet



FVE-193-CB
4-Piece Wall Unit



FVE-191-CB
2-Piece Wall Unit



FVBR-4DR-CB
Barrister Bookcase



FVD-2865-CB
Desk
unfinished back



FVD-3365-CB
Desk
finished back



FVD-2849-CB
Desk
unfinished back



FVF-2DWR-CB
2 Drawer File Cabinet
unfinished back



FVF-2DWR-CB-F
2 Drawer File Cabinet
finished back

Classic Collection

Raw hardwood's natural beauty transformed by artisans into treasured heirlooms.

Media Stands	101
Corner Media Consoles	129
Stereo Cabinets	145

FVE-024-C-XL
Media Stand
w/Optional Swivel



FVE-033-C
Corner Media
Console



FVE-026-C
Stereo Cabinet



Craftsman Collection

Frank Lloyd Wright influences like leaded glass and mortise & tenon accents create environmental tranquility.

Bookcases	142
Home Office	167-168

FVD-3065-CM
Writer's Desk



FVD-3065-CM-S/S
Sit-to-Stand Writer's Desk



FVD-2654-CM-S/S
Electric Sit-to-Stand Writer's Desk



FVBR-4DR-CM
Barrister Bookcase

Ensenada

Ensenada's artistic profile adds an elegantly casual air to any room, inviting guests to enjoy the surroundings you've created and inspiring plenty of well-deserved compliments.



Ensenada Collection

Vintage chic profile with modestly ornate legs and beveled door/drawer fronts.

Occasionals	56-57
Media Stands / Cabinets	88
Wall Units	115-116
Bookcases	137, 144
Home Office	169-172



FVCS-EN
Chair Side
End Table



FVET-EN
End Table



FVCT-EN
Coffee Table with Drawer



FVET-22R-EN
Round End Table



FVCT-38R-EN
Round Coffee Table



FVCT-EN-LT
Lift-Top Coffee Table



FVST-EN
Sofa Table



FVET-EN-EN
Enclosed End Table



FVCT-EN-EN
Enclosed Coffee Table



FVST-EN-EN
Enclosed Sofa Table



FVCT-EN-EN-LT
Enclosed Lift-Top Coffee Table



FVE-3463-EN
Media Stand



FVE-3463-EN-FP
Media Stand with fireplace



FVE-072-EN
Media Stand



FVE-85110-EN
6-Piece Wall Unit



FVE-36110-EN
3-Piece Wall Unit



FVE-058-EN
6-Piece Wall Unit with Adj. Bridge



FVB-010-EN
80" Bookcase



FVB-011-EN-6ft
72" Bookcase



FVB-5466-EN
66" Bookcase



FVB-012-EN 6ft
Double Bookcase



FVD-3365-EN
Desk
finished back



FVD-2865-EN
Desk
unfinished back



FVD-6660L-EN
L Desk
2-piece desk base



FVD-2654-EN
Writer's Desk

Ensenada Collection



FVL-2144-EN
Lateral File Credenza



FVD-7878L-HT-EN
L Desk
3-piece desk base
& hutch

FVD-7878L-EN
L Desk
2-piece
desk base



FVD-2849-EN
Desk
unfinished back



FVF-2DWR-EN
2 Drawer File Cabinet
unfinished back



FVF-2DWR-EN-F
2 Drawer File Cabinet
finished back



FVLC-063-EN
Lateral File Credenza

FINLAND Collection

Gracefully demure in style with gentle arches and clean, flowing lines.

Occasionals 58
Media Stands 89



FVET-FL-EN
Enclosed End Table



FVET-FL
End Table



FVCT-FL
Coffee Table w/Drawer



FVST-FL
Sofa Table



FVST-FL-EN
Enclosed Sofa Table



FVE-3463-FL
Media Stand



FVE-072-FL
Media Stand

FORKS CONTEMPORARY MISSION Collection

Simply mission done the Forks Valley way with arched glass door tops and mullions.

Media Cabinets 107



FVE-038-FCM
2-Piece Media Cabinet



FVE-039-FCM
2-Piece Media Cabinet

Grant

Charmingly warm, solidly built Craftsman furniture with authentically duplicated lines and hardware.



Grant Collection

Charmingly warm, solidly built Craftsman furniture with authentically duplicated lines and hardware.



FVD-2865-HT-GR
2-Piece Desk & Hutch

FVD-2865-GR
Desk
unfinished back



FVD-3365-GR
Desk
finished back



FVD-2849-GR
Desk; unfinished back



FVD-2654-GR-S/S
Electric Sit-to-Stand Desk



FVF-2DWR-GR
2 Drawer File Cabinet
unfinished back



FVD-7878L-HT-GR
L Desk
3-piece desk base & hutch



FVD-7878L-GR
L Desk
2-piece desk base



FVF-2DWR-GR-F
2 Drawer File Cabinet
finished back



FVLC-063-GR
Lateral File Credenza

Hoosier Heritage Collection

Traditionally Timeless decorative feet and inset door arches create a sturdy classic look.

Wall Units 117
Bookcases / Stereo Cabinets 138, 144-145



FVE-049-HH
6-Piece Wall Unit
w/Adj. Bridge



FVE 049-HH
8-Piece Wall Unit
w/Adj. Bridge & Optional Side Corner Cabinets



FVB-010-HH
Bookcase



FVB-011-HH-5ft
Bookcase



FVB-011-HH-4ft
Bookcase



FVB-012-HH-6ft
1-Piece Double Bookcase



FVE-027-HH
Stereo Cabinet

HOUSTON

Metal barn door slides, distressed wood with rough sawn scars and natural marks of aging, antiqued pulls and planked doors give Houston the kind of warm character that says to your family and guests, "Sit down, relax, enjoy your stay."



HOUSTON

Collection

Rough-sawn wood with aged finish and natural distressed markings resemble reclaimed barn wood.

same look in smooth finish – see **Timbra** collection pg 41

Occasionals	59-60
Media Stands / Cabinets	90
Home Office	176



FVET-HT
End Table w/Drawer



FVCS-HT
Chair Side End Table



FVCT-HT
Coffee Table w/Drawer



FVST-HT
Sofa Table w/Drawer



FVSTS/W-HT
Sofa Table



FVET-22RS/W-HT
Round End Table



FVCT-38RS/W-HT
Round Coffee Table



FVE-3172-HT
Media Stand



FVE-3172-HT-FP
Media Stand with fireplace



FVE-3160-HT
Media Stand



FVD-2865-HT
Desk



FVD-3365-HT
Desk

Kascade

The Kascade Collection is identified by an applied slat side design cohesive with its Mission styling. This grouping subtly reflects the taste of its quality-conscious owner while creating an atmosphere of warm welcoming.



Kascade Collection

Iconic Arts & Crafts characteristics include mission-style mullions and ornate end design.

Occasionals61-62
Media Stands / Cabinets 91-92, 108
Home Office177-179



FVET-KS
End Table w/Drawer



FVCT-KS
Coffee Table w/Drawer



FVCT-KS-LT
Lift-Top Coffee Table



FVST-KS
Sofa Table w/Drawer



FVET-KS-EN
Enclosed End Table



FVCT-KS-EN
Enclosed Coffee Table



FVCT-KS-EN-LT
Enclosed Lift-Top Coffee Table



FVST-KS-EN
Enclosed Sofa Table



FVE-3663-KS-BP
Media Stand



FVE-072-KS-BP
Media Stand



FVE-060-KS36
Media Stand



FVE-048-KS
Media Stand



FVE-060-KS
2-Piece Media Cabinet



FVE-2060-KS
2-Piece Media Cabinet



FVD-2849-KS
Desk



FVE-060-KS-BP
Media Stand



FVE-037-KS
Media Stand



FVD-2865-KS
Desk
unfinished back



FVD-3365-KS
Desk
finished back



FVF-2DWR-KS
2-Drawer File Cabinet
unfinished back



FVF-2DWR-KS-F
2-Drawer File Cabinet
finished back



FVD-2865-DT-KS
2-Piece Desk



FVLC-063-KS
Lateral File Credenza

Lexington Collection

Visually captivating bevels, insets and applied architectural elements showcase woodworking skills.

Occasionals	63
Media Stands / Cabinets	93



FVET-LX
End Table w/Drawer



FVCT-LX
Coffee Table w/Drawer



FVST-LX
Sofa Table w/Drawer



FVET-LX-EN
Enclosed End Table



FVST-LX-EN
Enclosed Sofa Table



FVE-072-LX
Media Stand



FVE-3663-LX
Media Stand



FVE-3163-LX
Media Stand

LEXINGTON ARC

Showcasing skilled Midwestern workmanship, contemporary standard hardware and Arts & Crafts-inspired leaded glass, Lexington Arc furniture adds stunning visual appeal to your favorite space. Your visitors will notice the unique details and admire your good taste.



LEXINGTON ARC Collection

Distinctively styled with boldly tapered legs, pleasing twists and handcrafted leaded glass.

Occasionals	64-66
Media Stands / Cabinets	94
Bookcases	142
Home Office	180-182



FVCS-LA
Chair Side
End Table



FVET-LA
End Table



FVET-2424TWLR-LA
round end table



FVCT-LA
Coffee Table



FVCT-LA-LT
Lift-Top Coffee
Table



FVET-22R-LA
Round End Table



FVCT-38R-LA
Round Coffee Table



FVST-LA
Sofa Table



FVET-LA-EN
Enclosed End Table



FVST-LA-EN
Enclosed Sofa Table



FVCT-3820TWLR-LA
round coffee table



FVST-1948TWL-LA
Sofa Table



FVE-3163-LA
Media Stand



FVE-072-LA
Media Stand

LEXINGTON ARC Collection



FVBR-4DR-LA
Barrister Bookcase



FVD-3065-LA
Desk
finished back



FVD-2865-LA
Desk
unfinished back



FVD-3365-LA
Desk
finished back



FVD-2849-LA
Desk
unfinished back



FVL-2144-LA
Lateral File Credenza



FVD-7878L-LA
L Desk
2-piece desk base



FVF-2DWR-LA
2-Drawer File Cabinet
unfinished back



FVF-2DWR-LA-F
2-Drawer File Cabinet
finished back



FVLC-063-LA
Lateral File Credenza



FVD-7878L-HT-LA
L Desk
3-piece desk base & hutch

MANHATTAN MISSION

Collection

Eclectically modern with dentil molding and geometric design details.



FVE-193-MM
3-Piece Wall Unit



FVE-191-MM
1-Piece Wall Unit



FVE-049-MM
6-Piece Wall Unit w/Adj. Bridge

Marina

Sleek and chic with vibes of the beach... in any living room, Marina occasional furniture fills your space with invitations of casual relaxation and mellow moods even if the nearest lake or ocean is miles away.



Marina Collection

Minimalism with a modern flair. Clean lines and warm hardwoods create a subtle invitation to settle in for a relaxing stay.

Living Room Occasionals	67
Media Stands / Cabinets	95
Home Office	182



FVCS-MA
Chair Side End Table



FVET-MA
End Table



FVCT-MA
Coffee Table



FVST-MA-EN
Enclosed Sofa Table



FVE-3463-MA
Media Stand



FVE-072-MA
Media Stand



FVD-2858-MA
Desk with finished back

Modesto

Blocky tapered legs give the Modesto style an authoritative stance, while exposed joinery and tenons honor its old world roots. Flush inset doors and drawers create a simple, clean, look that allows Modesto furniture to meld with and complement any surroundings.



Modesto Collection

Dramatically rustic featuring exposed tenons and tapered block legs.

Occasionals	68-69
Media Stands	96
Wall Units	120-121
Corner Media Consoles / Hutches	131
Bookcases	139, 142, 144



FVCS-MD
Chair Side
End Table



FVET-MD
End Table



FVCT-MD
Coffee Table w/Drawer



FVCT-MD-LT
Lift-Top Coffee Table



FVST-MD
Sofa Table



FVCT-MD-EN
Enclosed Coffee Table



FVCT-MD-EN-LT
Lift-Top Enclosed Coffee Table



FVET-MD-EN
Enclosed End Table



FVST-MD-EN
Enclosed Sofa Table



FVE-032-MD-BP36"
Media Stand



FVE-031-MD
Media Stand



FVE-032-MD-BP
Media Stand



FVE-072-MD-BP
Media Stand



FVE-049-MD
6-Piece Wall Unit w/Adj. Bridge



FVE-051-MD
6-Piece Wall Unit w/Adj. Bridge
& Angled Side Cabinets



FVE-053-MD-BP
Corner Media Console



FVE-053-MD
2-Piece Corner Media
Console w/Hutch



FVBR-4DR-MD
Barrister Bookcase



FVB-010-MD
Bookcase



FVB-011-MD-6ft
Bookcase



FVB-5466-MD
Bookcase



FVB-012-MD-6ft
Double Bookcase (1-Piece Unit)

Old Classic Sleigh

The Old Classic Sleigh style is characterized by rolling shapes and graceful curves on the front with flush-fit drawers and doors. It boldly states its presence in any room it occupies while surrounding its guests with warm acceptance.



Old Classic Sleigh Collection

Robust and aristocratic offset bowed fronts, curved legs and solid wood tops.

Occasionals	70-71
Media Stands / Cabinets	97, 109
Wall Units	122
Corner Media Consoles / Hutches	131
Bookcases / Stereo Cabinets	140, 145



FVET-OCS
End Table



FVCT-OCS
Coffee Table w/Drawer



FVCT-OCS-LT
Lift-Top Coffee Table



FVST-OCS
Sofa Table w/Optional Shelf



FVET-OCS-EN
Enclosed End Table



FVCT-OCS-EN
Enclosed Coffee Table



FVST-OCS-EN
Enclosed Sofa Table



FVE-031-OCS
Media Stand



FVE-043-OCS-BP
Media Stand



FVE-072-OCS-BP
Media Stand



FVE-043-OCS
2-Piece Media Cabinet



FVE-058-OCS
6-Piece Wall Unit w/Adj. Bridge



FVE-053-OCS-BP
Corner Media Console



FVE-053-OCS
2-Piece Corner Media Console w/Hutch



FVB-011-OCS-5ft
Bookcase



FVB-011-OCS-6ft
Bookcase



FVB-010-OCS
Bookcase



FVE-027-OCS
Stereo Cabinet



FVE-026-OCS
Stereo Cabinet

SARATOGA

Its distinctive curves, deep beveled edges and skillfully routed accents will initially draw your attention, but look closer...there are so many more treasures to be discovered. Saratoga is the perfect blend of modern chic and old world craftsmanship.



SARATOGA Collection

Retro, metro, contemporary bevels, bends, circles and shapes created by only the most skilled artisans.

Occasionals	73
Media Stands	98
Home Office	184-186



FVET-24R-ST
Round End Table



FVCT-38R-ST
Coffee Table



FVST-ST
Sofa Table



FVE-3474-ST
Media Stand



FVD-2654-ST
Writer's Desk



FVBB-2074-HT-ST
2-Piece Back Bar & Hutch Top



FVD-3068-ST
Desk
finished back



FVD-3367-ST
Desk
finished back

FVBB-2074-ST
Back Bar
base only

Sierra

Pronounced bowed legs gracefully ground each Sierra piece and flow upward to solid hardwood tops with chamfered edges. This versatile style blends well with any décor, yet stands out with its beautifully artistic elegance.



RENO Collection

Art in motion best describes the fluid lines characterizing this versatile style.

Occasionals	72
Media Stands	98
Home Office	183



FVET-RN
End Table



FVCT-RN
Coffee Table w/Drawer



FVST-RN
Sofa Table w/Drawer



FVET-RN-EN
Enclosed End
Table



FVE-3663-RN
Media Stand



FVD-2849-RN
Desk
unfinished back



FVD-2865-RN
Desk
unfinished back



FVD-3365-RN
Desk
finished back

Sierra Collection

Architecturally interesting legs curve strongly away from the body to add a futuristic touch.

Occasionals	74
Media Stands	98



FVCT-38R-SR
Coffee Table



FVCT-38RGT-SR
Glass-Top Coffee Table



FVST-SR
Sofa Table



FVET-SR
End Table



FVET-22R-SR
Round End Table



FVET-24R-SR
Round End Table



FVE-3463-SR
Media Stand

TIMBRA

If you want your furniture to show your warm hospitality, the rustic charm of Timbra offers a friendly "Welcome to our home" to all who enter. Whether its surroundings are contemporary, traditional or industrial, it's right at home.



TIMBRA

Collection

The rustic charm of Timbra is right at home with contemporary, traditional or industrial surroundings.

Occasionals75-76
 Media Stands..... 99
 Wall Units.....123-124
 Home Office..... 187

same look in rough sawn brown maple – see **Houston** collection pg 22



FVET-TB
End Table



FVCS-TB
Chair Side
End Table



FVCT-TB
Coffee Table



FVST-TB
Sofa Table



FVE-3160-TB
Media Stand



FVE-3172-TB
Media Stand



FVET-TB-LET
End Table
with live edge top



FVCS-TB-LET
Chair Side End Table
with live edge top



FVCT-TB-LET
Coffee Table
with live edge top



FVST-TB-LET
Sofa Table
with live edge top



FVE-3160-TB-LET
Media Stand
with live edge top



FVE-85130-TB
Wall Unit



FVD-3365-TB-LET
Desk with finished back
and live edge top



FVE-36110-TB
3pc Base Unit



FVE-85110-TB
Wall Unit

Victorian Collection

Romantic revival showcasing fluted columns with bullseye detail and leaded glass.

Media Stands / Cabinets 100, 109
 Wall Units..... 125
 Home Office 188-190



FVE-047-VS
2-piece Media Cabinet



FVE-193-VS
3-Piece Wall Unit



FVE-191-VS
Center Only



FVD-2865-VS
Desk
with unfinished back



FVE-047-VS-BP
Media Stand



FVD-3365-VS
Desk with finished back

FVD-7878L-HT-VS
3pc desk base & hutch



FVD-7878L-VS
L Desk
2-piece desk base



FVD-9678U-HT-VS
4-Piece Desk

WEST *Lake* Collection

Symmetrically pleasing with elements like rope trim, inset drawer fronts, and soft curves.

Occasionals 77-78
Media Stands / Cabinets 100



FVET-WL
End Table w/Drawer



FVST-WL
Sofa Table w/Drawer



FVCT-WL-LT
Lift-Top Coffee Table



FVCT-WL
Coffee Table w/Drawer



FVCS-WL
Chair Side End Table



FVET-WL-EN
Enclosed End Table



FVST-WL-EN
Enclosed Sofa Table



FVE-032-WL-BP
Media Stand



FVE-031-WL
Media Stand

FORKS VALLEY WOODWORKING

Better Because ...

STANDARDS



5/8" thick dovetailed, full extension, 3/4" deep functional drawers on occasional pieces



Soft close (concealed hinge) doors



Leg levelers on all legs for easy installation



Lift-top coffee tables offer 3 1/4" deep recessed storage area under tops and counter weight balance.



Solid hardwood sides and tops on enclosed occasional pieces



Fully adjustable shelf in enclosed sofa tables

OPTIONS



Change standard top to 1 1/4" thick Live Edge top on any occasional; add code **LET** after standard product code.



Solid adjustable shelf in open sofa tables



Power station on any occasional piece, in back, underneath top **PB2-2U**



Security tray (9" w x 13" d x 2 1/8" h) on any open end table, keeps standard drawer; add **SCTY** after standard product code. Lock for top also available (must specify).

Occasionals

From a tasteful accent table to an eye-catching storage solution or display table, Forks Valley has handcrafted the perfect occasional for every space and style...from rustic, to Arts & Crafts, to chic and modern. With so many wood and finish options, each table becomes a customized masterpiece.

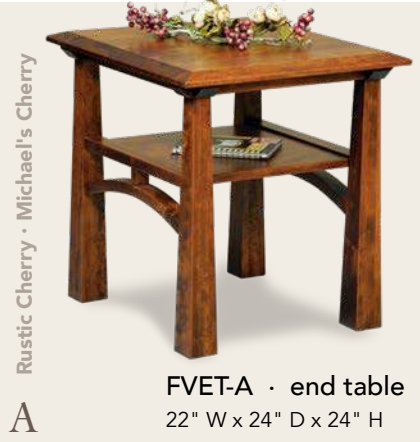


OCCASIONALS

Artesa Occasionals

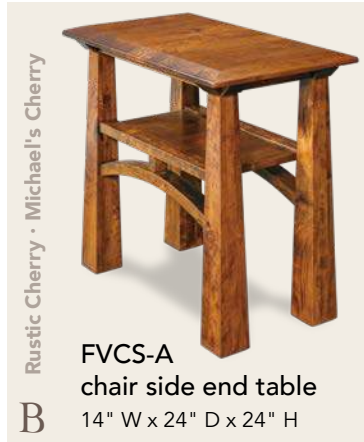
Standard Features

A	B	C	D	E	F	
•	•	•	•	•	•	1" Solid top
•	•	•	•	•	•	Solid, 4-sided tapered legs
				•		Recessed storage under top with counter weight
				•		Beveled, tempered glass top



A

FVET-A · end table
22" W x 24" D x 24" H



B

FVCS-A · chair side end table
14" W x 24" D x 24" H



C

FVST-A · sofa table
54" W x 17¾" D x 30¼" H



D

FVCT-A · coffee table
42" W x 24" D x 20" H



E

FVCT-A-LT · lift-top coffee table
42" W x 24" D x 20" H · (top up 29¼" H)



F

FVCT-A-GT · glass top coffee table
42" W x 24" D x 20" H

Artesa Occasionals

Standard Features

A	B	C	D	
•	•	•	•	1" Solid top
•	•	•	•	Solid, 4-sided tapered legs
•		•	•	Full extension drawers
•		•	•	Hardware = Wrought Iron drawer pull P-2 (shown)

Optional Features

A	B	C	D	
•		•	•	Blum, soft close undermount drawers

Rustic Cherry · Michael's Cherry

B



FVCT-38R-A
round coffee table
38" Round x 20" H

Rustic Cherry · Michael's Cherry

C



FVCT-A-DWR
coffee table w/drawer
42" W x 24" D x 20" H

Rustic Cherry · Michael's Cherry

A



FVET-A-DWR
end table w/drawer
22" W x 24" D x 24" H

Rustic Cherry · Michael's Cherry

D



FVST-A-DWR
sofa table w/drawers
54" W x 17¾" D x 30¼" H


Boulder Creek

Occasionals

Standard Features

A	B	C	D	E	F	
•	•	•	•	•	•	1" Solid top
•		•				Full extension drawers
			•			Recessed storage under top with counter weight
•	•					Hardware = 1" Black knob U

Optional Features

A	B	C	D	E	F	
•		•	•	•		Omit inlays (no up charge)
•						End tables 5" wider
•		•				Blum, soft close undermount drawers
•		•				Hardware = O-1 (no up charge) 




Boulder Creek Occasionals

Standard Features

A	B	C	D	E	
•	•	•	•	•	1" Solid top
•	•			•	Full extension drawers
•		•	•	•	Soft close (concealed hinge) doors
			•	•	Adj. shelf behind doors
•	•	•	•	•	Hardware = 1" Black knob U

Optional Features

A	B	C	D	E	
•	•	•	•	•	Omit inlays (no up charge)
•					End tables 5" wider
•	•	•	•	•	Hardware = O-1 (no up charge) 



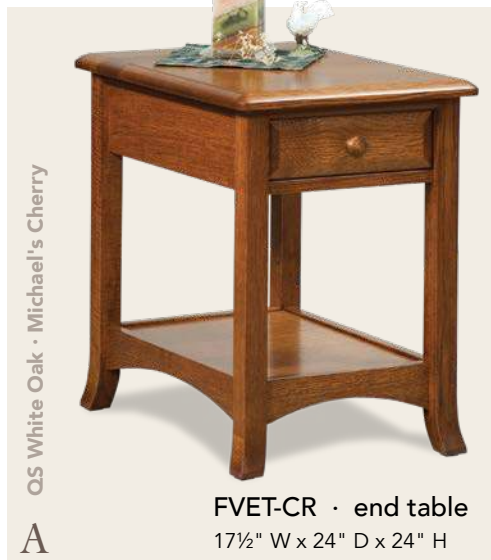
Carlisle Occasionals

Standard Features

A	B	C	D	E	
•	•	•	•	•	1" Solid top
•		•		•	Full-extension drawers
			•		Recessed storage under top with counter weight
•	•		•		Hardware = 1¼" Round Wood knob A-1 (shown)

Optional Features

A	B	C	D	E	
•		•		•	Blum, soft close undermount drawers
•					End tables 5" wider



Carlisle Occasionals

Standard Features

A	B	C	D	
•	•	•	•	1" Solid top
•	•	•	•	Soft close (concealed hinge) doors
•				Full-extension drawers
			•	Adj. shelf behind doors
•	•	•	•	Hardware = 1¼" Round Wood knob A-1 (shown)

Optional Features

A	B	C	D	
•				End tables 5" wider



CENTENNIAL

Occasionals

Standard Features

A	B	C	D	E	
•	•	•	•	•	1" Solid top
•		•		•	Full-extension drawers
			•		Recessed storage under top with counter weight
•	•			•	Hardware = 1" Black Square knob R (shown)

Optional Features

A	B	C	D	E	
•		•		•	Blum, soft close undermount drawers
•					End tables 5" wider



C Hickory · Rich Tobacco

FVCT-CN
coffee table
42" W x 24" D x 20" H



D Rustic Cherry · Michael's Cherry

FVCT-CN-LT
lift-top coffee table
42" W x 24" D x 20" H
(top up 29¼" H)



A Hickory · Rich Tobacco

FVET-CN · end table
17½" W x 24" D x 24" H



B Oak · Vintage Antique

FVCS-CN
chair side end table
14" W x 24" D x 24" H



E Hickory · Rich Tobacco

FVST-CN · sofa table
42" W x 17" D x 29" H

CENTENNIAL

Occasionals

Standard Features

A	B	C	D	
•	•	•	•	1" Solid top
•	•	•	•	Soft close (concealed hinge) doors
•			•	Full-extension drawers
			•	Adj. shelf behind doors
•	•	•	•	Hardware = 1" Black Square knob R (shown)

Optional Features

A	B	C	D	
•				End tables 5" wider



Colbran Occasionals

Standard Features

A	B	C	D	
•	•	•	•	1" Solid top
•	•		•	Full-extension drawers
		•		Recessed storage under top with counter weight
•	•		•	Hardware = 1" Black Square knob R (shown)

Optional Features

A	B	C	D	
•	•		•	Blum, soft close undermount drawers
•				Build as a Chair Side End Table, no drawer; 14" W. FVCS-CB



B OS White Oak · Michael's Cherry

FVCT-CB · coffee table
46" W x 25" D x 20" H



C OS White Oak · Michael's Cherry

FVCT-CB-LT · lift-top coffee table
46" W x 25" D x 20" H · (top up 29¼" H)



A OS White Oak · Michael's Cherry

FVET-CB · end table
21½" W x 25" D x 24" H



D OS White Oak · Michael's Cherry

FVST-CB · sofa table
46" W x 17½" D x 29" H

Colbran Occasionals

Standard Features

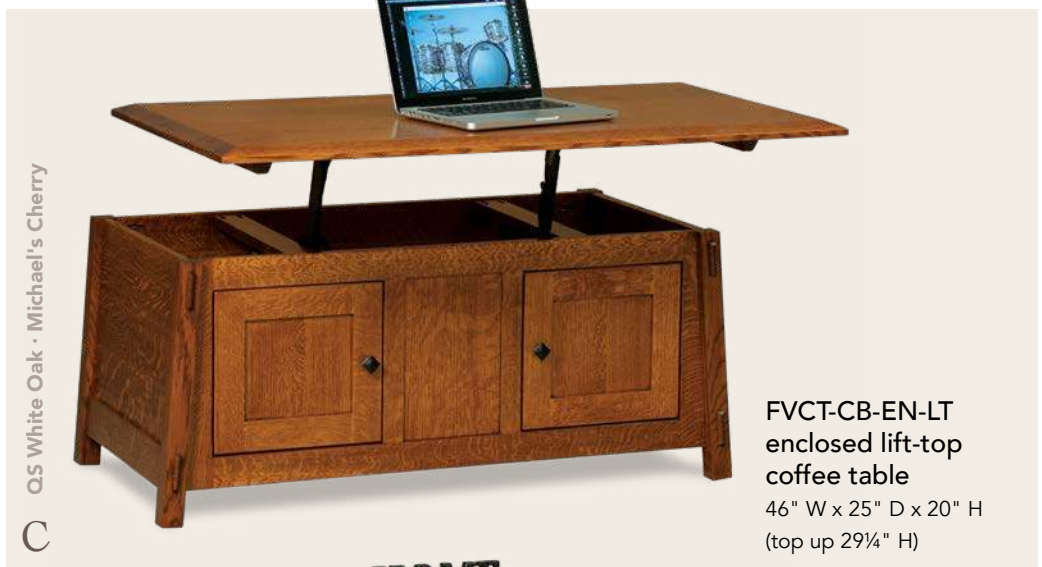
A	B	C	D	
•	•	•	•	1" Solid top
•	•	•	•	Soft close (concealed hinge) doors
•			•	Full-extension drawers
			•	Adj. shelf behind doors
•	•		•	Hardware = 1" Black Square knob R (shown)

Optional Features

A	B	C	D	
•				End tables 5" wider



FVCT-CB-EN · enclosed coffee table
46" W x 25" D x 20" H



FVCT-CB-EN-LT
enclosed lift-top
coffee table
46" W x 25" D x 20" H
(top up 29¼" H)



FVET-CB-EN
enclosed end table
21½" W x 25" D x 24" H



FVST-CB-EN
enclosed sofa table
46" W x 15¼" D x 29" H


Ensenada

Occasionals

Standard Features

A	B	C	D	E	F	
•	•	•	•	•	•	1" Solid top
•		•				Full extension drawers
			•			Recessed storage under top with counter weight
•	•					Hardware = Satin Nickel drawer pull T-2 (shown)

Optional Features

A	B	C	D	E	F	
•						End tables 5" wider
•		•				Blum, soft close undermount drawers
•	•					Hardware = 1-B (no up charge) 



C Sap Cherry · Asbury Brown

FVCT-EN · coffee table
45" W x 24" D x 20" H



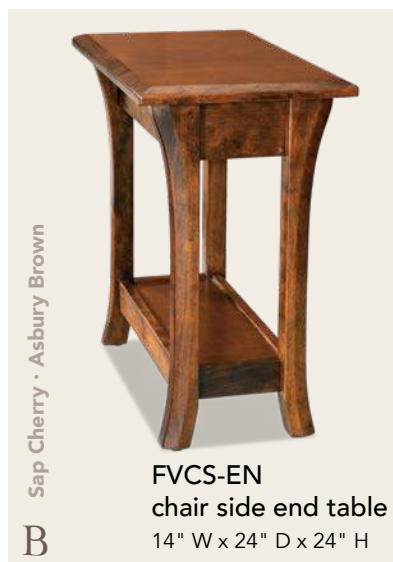
D Sap Cherry · Asbury Brown

FVCT-EN-LT · lift-top coffee table
45" W x 24" D x 20" H · (top up 29¼" H)



A Sap Cherry · Asbury Brown

FVET-EN · end table
20½" W x 24" D x 24" H



B Sap Cherry · Asbury Brown

FVCS-EN
chair side end table
14" W x 24" D x 24" H



E Brown Maple · Sandstone

FVET-22R-EN
round end table
22" Round x 24" H



F Brown Maple · Sandstone


FVCT-38R-EN · round coffee table
38" Round x 20" H

Ensenada Occasionals

Standard Features

A	B	C	D	E	
•	•	•	•	•	1" Solid top
•	•			•	Full extension drawers
•		•	•	•	Soft close (concealed hinge) doors
			•	•	Adj. shelf behind doors
•	•	•	•	•	Hardware = 1" Satin Nickel knob and drawer pull T-1, T-2 (shown)

Optional Features

A	B	C	D	E	
•					End tables 5" wider
•	•	•	•	•	Hardware = 1-A, 1-B (no up charge) 



FVCT-EN-EN · enclosed coffee table
45" W x 24" D x 20" H



FVCT-EN-EN-LT
enclosed lift-top coffee table
45" W x 24" D x 20" H · (top up 29¼" H)



FVET-EN-EN
enclosed end table
20½" W x 24" D x 24" H



FVST-EN · sofa table
45" W x 17½" D x 29" H



FVST-EN-EN · enclosed sofa table
45" W x 15" D x 29" H


FINLAND

Occasionals

Standard Features

A	B	C	D	E	
•	•	•	•	•	1" Solid top
•	•	•	•	•	Full-extension drawers
	•				Soft close (concealed hinge) doors
					Adj. shelf behind doors
•	•	•	•	•	Hardware = 1¼" Satin Nickel knob O-1 (shown)

Optional Features

A	B	C	D	E	
•	•	•	•	•	Blum, soft close undermount drawers
•	•				End tables 5" wider
•					Build as Chair Side End Table, no drawer; 14" W. FVCS-FL
•	•	•	•		Hardware = U  (no up charge)



C Brown Maple · Earthtone

FVCT-FL · coffee table
43" W x 24½" D x 20" H



D Brown Maple · Earthtone

FVST-FL · sofa table
43" W x 17½" D x 29" H



Brown Maple · Earthtone

A

FVET-FL · end table
18½" W x 24½" D x 24" H



Brown Maple · Earthtone

B

FVET-FL-EN
enclosed end table
18½" W x 24½" D x 24" H



Oak · Vintage Antique

E

FVST-FL-EN
enclosed sofa table
43" W x 15¼" D x 29" H

HOUSTON

Occasionals

Standard Features

A	B	C	D	
•	•	•	•	1 1/8" Solid top
		•	•	Full-extension drawers
		•	•	Available in Rough Sawn Rustic Brown Maple or White Oak ONLY
	•	•	•	Hardware = Swedish Iron drawer pull 7-B (shown)

Optional Features

A	B	C	D	
	•			End tables 5" wider
	•	•	•	Blum, soft close undermount drawers
•	•	•	•	Wooden pegs in legs

same look in smooth finish –
see **Timbra** collection pgs 75-76



Optional wooden pegs



Rough Sawn Rustic Brown Maple ·
Almond w/#10 Low Sheen

A

FVCS-HT
chair side end table
14" W x 24" D x 24 1/4" H



Rough Sawn Rustic Brown Maple ·
Bel Air w/#10 Low Sheen

B

FVET-HT · end table
19 1/4" W x 24" D x 24 1/4" H



Rough Sawn Rustic Brown Maple ·
Bel Air w/#10 Low Sheen

C

FVCT-HT · coffee table
43 3/4" W x 24" D x 20 1/4" H



Rough Sawn Rustic Brown Maple ·
Bel Air w/#10 Low Sheen

D

FVST-HT · sofa table
43 3/4" W x 17 1/2" D x 31 1/4" H

HOUSTON

Occasionals

Standard Features

A	B	C
•	•	•
•	•	•
•	•	•

1 1/8" Solid top

Available in Rough Sawn Rustic Brown Maple or White Oak ONLY

Black powder-coated steel base

Optional Features

A	B	C
•		

24" Round End Table,
FVET-24RS/W-HT



Rough Sawn Rustic Brown Maple ·
Almond w/#10 Low Sheen

A

FVET-22RS/W-HT
round end table
22" Round x 24 1/4" H



Rough Sawn Rustic Brown Maple ·
Almond w/#10 Low Sheen

B

FVCT-38RS/W-HT
round coffee table
38" Round x 20 1/4" H



Rough Sawn Rustic Brown Maple ·
Almond w/#10 Low Sheen

C

FVST-S/W-HT · sofa table
54" W x 16" D x 31 1/4" H

Kascade Occasionals

Standard Features

A	B	C	D	
•	•	•	•	1" Solid top
•	•		•	Full-extension drawers
		•		Recessed storage under top with counter weight
•	•		•	Hardware = 1" Black Square knob R (shown)

Optional Features

A	B	C	D	
•	•		•	Blum, soft close undermount drawers
•				End tables 5" wider
•				Build as Chair Side End Table, no drawer; 14" W. FVCS-KS



Kascade Occasionals

Standard Features

A	B	C	D	
•	•	•	•	1" Solid top
•	•	•	•	Soft close (concealed hinge) doors
•			•	Full-extension drawers
			•	Adj. shelf behind doors
•	•		•	Hardware = 1" Black Square knob R (shown)

Optional Features

A	B	C	D	
•				End tables 5" wider



FVCT-KS-EN
enclosed coffee table
42" W x 24" D x 20" H



FVCT-KS-EN-LT
enclosed lift-top
coffee table
42" W x 24" D x 20" H
(top up 29¼" H)



FVET-KS-EN
enclosed end table
17½" W x 24" D x 24" H




FVST-KS-EN
enclosed sofa table
42" W x 14¾" D x 30½" H

Lexington Occasionals

Standard Features

A	B	C	D	E
•	•	•	•	•
•	•	•	•	•
•	•	•	•	•
•	•	•	•	•

- 1" Solid top with Boat Shape 
- Full-extension drawers
- Soft close (concealed hinge) doors
- Adj. shelf behind doors
- Hardware = 1¼" Wrought Iron knob and Wrought Iron drawer pull **W-1, W-2** (shown)

C



FVCT-LX · coffee table
44¾" W x 25½" D x 20" H


D

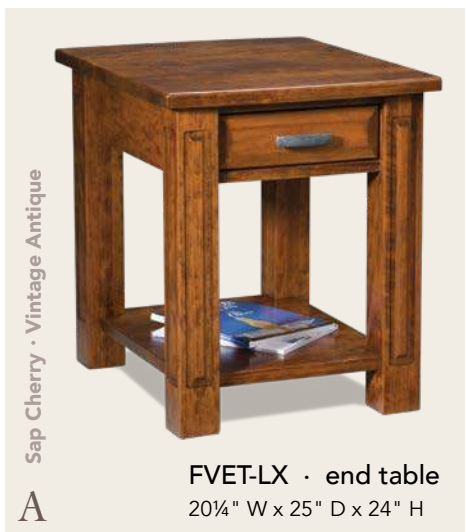


FVST-LX · sofa table
44¾" W x 17¾" D x 31" H

Optional Features

A	B	C	D	E
•	•	•	•	•
•	•			
•				
•	•	•	•	•

- Blum, soft close undermount drawers
- End tables 5" wider
- Build as Chair Side End Table, no drawer; 14" W. **FVCS-LX**
- Hardware = **4-A, 4-B** (no up charge) 



FVET-LX · end table
20¼" W x 25" D x 24" H



FVET-LX-EN
enclosed end table
20¼" W x 25" D x 24" H



FVST-LX-EN
enclosed sofa table
44¾" W x 15½" D x 31" H

LEXINGTON ARC

Occasionals

Standard Features

A	B	C	D	E
•	•	•	•	•
•	•	•	•	•
•		•		•
			•	
•	•		•	

- 1" Solid top
- Solid, twisted legs
- Full-extension drawers
- Recessed storage under top with counter weight
- Hardware = Satin Nickel drawer pull **T-2** (shown)

Optional Features

A	B	C	D	E
•		•		•
•				
•		•		•

- Blum, soft close undermount drawers
- End table 5" wider
- Hardware = **1-B** (no up charge)



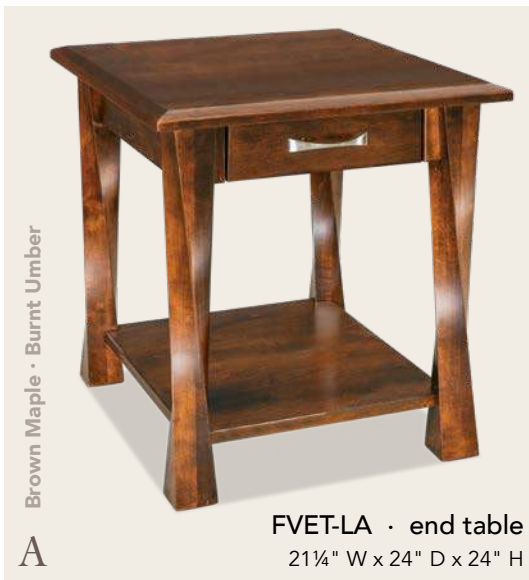
C Brown Maple · Burnt Umber

FVCT-LA · coffee table
45¾" W x 24" D x 20" H



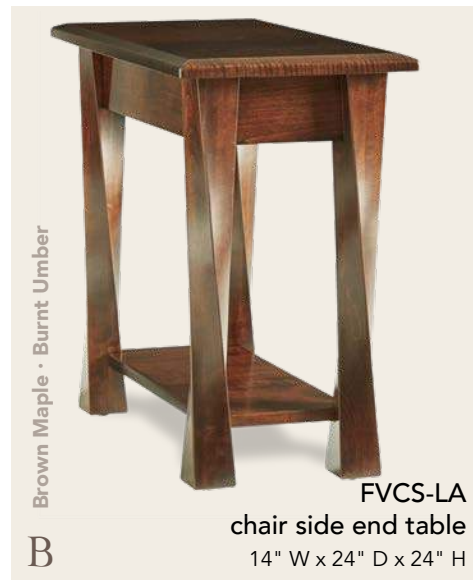
D Brown Maple · Burnt Umber

FVCT-LA-LT · lift-top coffee table
45¾" W x 24" D x 20" H · (top up 29¼" H)



A Brown Maple · Burnt Umber

FVET-LA · end table
21¼" W x 24" D x 24" H



B Brown Maple · Burnt Umber

FVCS-LA
chair side end table
14" W x 24" D x 24" H



E Brown Maple · Burnt Umber

FVST-LA · sofa table
45¾" W x 17½" D x 31" H


LEXINGTON ARC

Occasionals

Standard Features

A	B	C	D	
•	•	•	•	1" Solid top
•	•	•	•	Solid, twisted legs
		•	•	Full-extension drawers
		•	•	Soft close (concealed hinge) doors
		•		Adj. shelf behind doors
		•	•	Hardware = Satin Nickel knob & drawer pull T-1, T-2 (shown)

Optional Features

A	B	C	D	
•		•		End tables 5" wider
		•	•	Blum, soft close undermount drawers
		•	•	Hardware = 1-A, 1-B (no up charge) 



Brown Maple • Sandstone
A

FVET-22R-LA
round end table
22" Round x 24" H



Brown Maple • Sandstone
B

FVCT-38R-LA
round coffee table
38" Round x 20" H



Brown Maple • Sandstone
C

FVET-LA-EN
enclosed end table
21¼" W x 24" D x 24" H



Brown Maple • Sandstone
D

FVST-LA-EN
enclosed sofa table
45¾" W x 14¾" D x 31" H

LEXINGTON ARC

Occasionals


Standard Features

A	B	C
•	•	•
•	•	•
		•
		•

- 1" Solid top
- Solid, twisted legs
- Full extension drawers
- Hardware = Satin Nickel drawer pull **T-2** (shown)

Optional Features

A	B	C
		•
		•

- Blum, soft close undermount drawers
- Hardware = **1-B** (no up charge) 

Brown Maple · Charwood (FC 50241)

A



FVET-2424TWLR-LA
round end table
24" Round x 24" H

Brown Maple · Charwood (FC 50241)

B



FVCT-3820TWLR-LA
round coffee table
38" Round x 20" H

Brown Maple · Charwood (FC 50241)

C



FVST-1948TWL-LA
sofa table
48" W x 19" D x 31" H

Marina

Occasionals

Standard Features

A	B	C	D	
•	•	•	•	1" Solid tops and sides
•	•	•	•	Full-extension drawers
•	•	•	•	Locking mitered joints on all corners
				Adj. shelf behind doors on left side
•	•		•	Hardware = Satin Nickel knob and drawer pulls 10-A, 10-B (shown)

Optional Features

A	B	C	D	
•	•	•	•	Blum, soft close undermount drawers



Locking mitered corners



Modesto Occasionals

Standard Features

A	B	C	D	E	
•	•	•	•	•	1" Solid top
•		•		•	Full-extension drawers
			•		Recessed storage under top with counter weight
•	•			•	Hardware = 1" Black drawer pull L-2 (shown)

Optional Features

A	B	C	D	E	
•		•		•	Blum, soft close undermount drawers
•					End tables 5" wider
•		•		•	Hardware = M-2 (no up charge)



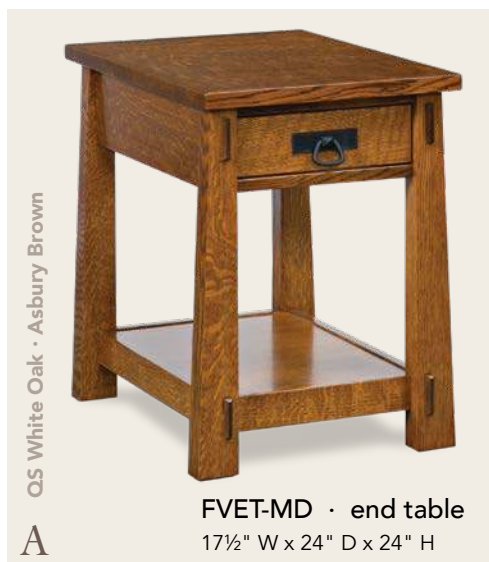
C OS White Oak · Asbury Brown

FVCT-MD · coffee table
42" W x 24" D x 20" H



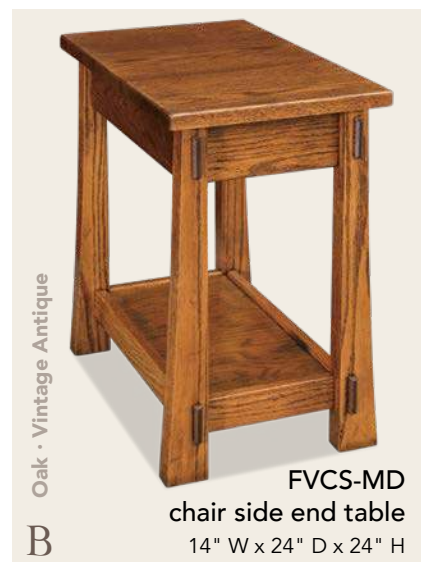
D OS White Oak · Asbury Brown

FVCT-MD-LT · lift-top coffee table
42" W x 24" D x 20" H · (top up 29¼" H)



A OS White Oak · Asbury Brown

FVET-MD · end table
17½" W x 24" D x 24" H



B Oak · Vintage Antique

FVCS-MD
chair side end table
14" W x 24" D x 24" H



E OS White Oak · Asbury Brown

FVST-MD · sofa table
42" W x 17" D x 29" H

Modesto Occasionals

Standard Features

A	B	C	D	
•	•	•	•	1" Solid top
•	•	•	•	Soft close (concealed hinge) doors
•				Full-extension drawers
				Adj. shelf behind doors
•	•		•	Hardware = Black door and drawer pull L-1, L-2 (shown)

Optional Features

A	B	C	D	
•				End tables 5" wider
•	•	•	•	Hardware = M-1, M-2 (no up charge)



OS White Oak · Asbury Brown

A

FVET-MD-EN
enclosed end table
17½" W x 24" D x 24" H



OS White Oak · Michael's Cherry

B

FVCT-MD-EN
enclosed coffee table
42" W x 24" D x 20" H



OS White Oak · Michael's Cherry

C

FVCT-MD-EN-LT
enclosed lift-top
coffee table
42" W x 24" D x 20" H
(top up 29¼" H)



OS White Oak · Asbury Brown

D

FVST-MD-EN
enclosed sofa table
42" W x 14¾" D x 29" H

Old Classic Sleigh Occasionals

Standard Features

A	B	C	D	
•	•	•	•	1" Solid top
•	•		•	Full-extension drawers
		•		Recessed storage under top with counter weight
•	•		•	Hardware = 1 1/8" Low profile round wood knob C-1 (shown)

Optional Features

A	B	C	D	
•				End tables 5" wider
•				Build as Chair Side End Table, no drawer; 14" W. FVCS-OCS
			•	Solid adj. shelf



B OS White Oak · Michael's Cherry

FVCT-OCS · coffee table
42" W x 24" D x 20" H



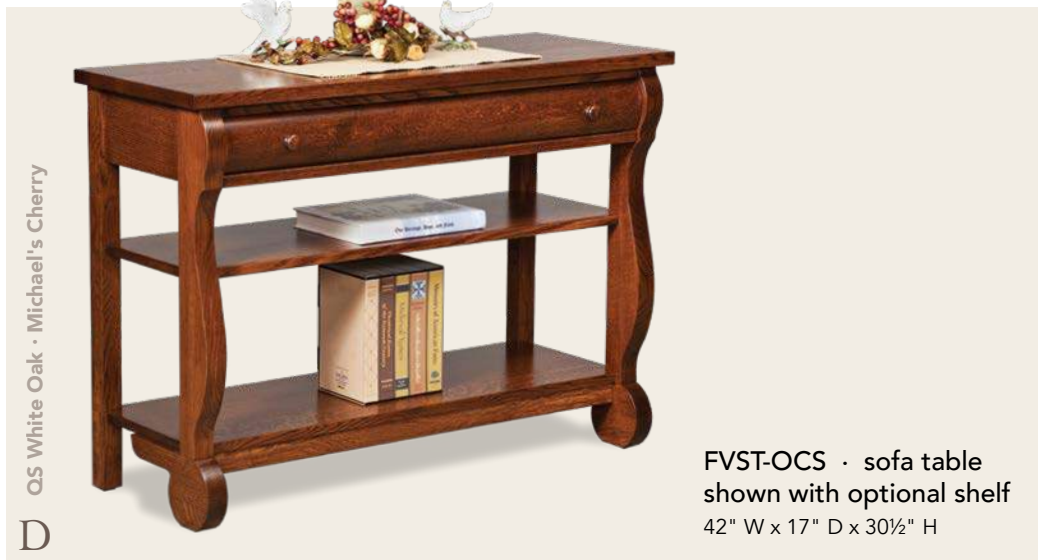
C OS White Oak · Michael's Cherry

FVCT-OCS-LT
lift-top coffee table
42" W x 24" D x 20" H · (top up 29 1/4" H)



A OS White Oak · Michael's Cherry

FVET-OCS · end table
17 1/2" W x 24" D x 24" H



D OS White Oak · Michael's Cherry

FVST-OCS · sofa table
shown with optional shelf
42" W x 17" D x 30 1/2" H

Old Classic Sleigh Occasionals

Standard Features

A	B	C	
•	•	•	1" Solid top
•	•	•	Full extension drawers
•	•	•	Soft close (concealed hinge) doors
		•	Adj. shelf behind doors
•	•	•	Hardware = 1½", 1¾" Low profile round wood knob C-1, C-2 (shown)

Optional Features

A	B	C	
•	•	•	End tables 5" wider



FVET-OCS-EN
enclosed end table
17½" W x 24" D x 24" H



FVCT-OCS-EN
enclosed coffee table
42" W x 24" D x 20" H




FVST-OCS-EN
enclosed sofa table
42" W x 16" D x 30½" H


RENO

Occasionals

Standard Features

A	B	C	D	
•	•	•	•	1" Solid top with Boat Shape 
•	•	•	•	Full-extension drawers
		•		Soft close (concealed hinge) doors
•	•	•	•	Hardware = 1 3/16" Oil Rubbed Bronze knob and drawer pull 5-A, 5-B (shown)

Optional Features

A	B	C	D	
•	•	•	•	Blum, soft close undermount drawers
•	•			End tables 5" wider
•				Build as Chair Side End Table, no drawer; 14" W. FVCS-RN
•	•	•	•	Hardware = 6-A, 6-B (no up charge) 



SARATOGA

Occasionals


Standard Features

A	B	C
•	•	•
•	•	•
		•
		•
		•
		•

- 1" Solid top
- Solid, curved base
- Full extension drawers
- Curved drawer fronts
- Hardware = Satin Nickel drawer pull **I-2** (shown)

Optional Features

A	B	C
		•
		•

- Blum, soft close undermount drawers
- Hardware = **J-2** (no up charge) 

Sap Cherry · Burnt Umber
A



FVET-24R-ST
round end table
24" Round x 24" H

Sap Cherry · Burnt Umber
B



FVCT-38R-ST
round coffee table
38" Round x 20" H

Sap Cherry · Burnt Umber
C



FVST-ST
sofa table
48" W x 19" D x 31" H

Sierra

Occasionals

Standard Features

A	B	C	D	E	F	
•	•	•	•	•	•	1" Solid top
						• Full extension drawers
				•		• Tempered glass top
•		•				Hardware = 1¼" Satin Nickel round knob O-1 (shown)

Optional Features

A	B	C	D	E	F	
•						• Solid shelf
					•	• Blum, soft close undermount drawers



Brown Maple · Rich Tobacco

D

FVCT-38R-SR
round coffee table
38" Round x 20" H



Brown Maple · Rich Tobacco

E

FVCT-38RGT-SR
round glass-top coffee table
38" Round x 20" H



Brown Maple · Rich Tobacco

A

FVET-SR · end table
22" W x 24" D x 24" H



Brown Maple · Rich Tobacco

B

FVET-22R-SR
round end table
22" Round x 24" H



Sap Cherry · Earthtone

C

FVET-24R-SR
round end table
24" Round x 24" H



Brown Maple · Rich Tobacco

F

FVST-SR · sofa table
52" W x 17" D x 31" H

TIMBRA

Occasionals

Standard Features

A	B	C	D	
•	•	•	•	1" Solid top
•		•	•	Full-extension drawers
•		•	•	Hardware = Swedish Iron drawer pull 7-B (shown)

Optional Features

A	B	C	D	
•		•	•	Blum, soft close undermount drawers
		•		Build as Lift-Top Coffee Table, no drawer; 43¾" W x 24" D x 20" H. FVCT-TB-LT

same look in rough sawn – see **Houston** collection pg 59-60



Rustic Hickory · Golden Pecan

B

FVCS-TB
chair side end table
14" W x 24" D x 24" H



Rustic Hickory · Golden Pecan

C

FVCT-TB
coffee table
43¾" W x 24" D x 20" H



Oak · Vintage Antique

A

FVET-TB · end table
19¼" W x 24" D x 24" H



Rustic Hickory · Golden Pecan

D

FVST-TB · sofa table
43¾" W x 17½" D x 31" H


TIMBRA

Occasionals

Standard Features

A	B	C	D	
•	•	•	•	1" Solid top
•		•	•	Full-extension drawers
•		•	•	Hardware = Swedish Iron drawer pull 7-B (shown)

Optional Features

A	B	C	D	
•		•	•	Blum, soft close undermount drawers
•	•	•	•	1¼" thick live edge top (as shown), add code LET
•		•	•	Hardware = 13-B (no up charge) 

same look in rough sawn – see **Houston** collection pg 59-60



Sap Cherry · Chestnut

B

FVCS-TB-LET
chair side end table
14" W x 24" D x 24" H



Rustic Walnut · Bel Air

C

FVCT-TB-LET
coffee table
43¾" W x 24" D x 20" H



Rustic Walnut · Bel Air

A

FVET-TB-LET · end table
19¼" W x 24" D x 24" H



Rustic Walnut · Bel Air

D

FVST-TB-LET · sofa table
43¾" W x 17½" D x 31" H

WEST *Lake* Occasionals

Standard Features

A	B	C	D	E	
•	•	•	•	•	1" Solid top
•		•		•	Full extension drawers
			•		Recessed storage under top with counter weight
•	•			•	Hardware = Weathered Nickel drawer pull F-2 (shown)

Optional Features

A	B	C	D	E	
•	•	•	•	•	Omit rope detail (no up charge)
•	•	•	•	•	Omit leg grooves (no up charge)
•		•		•	Blum, soft close undermount drawers



C OS White Oak · Michael's Cherry

FVCT-WL · coffee table
42" W x 24" D x 20" H



D OS White Oak · Michael's Cherry

FVCT-WL-LT · lift-top coffee table
42" W x 24" D x 20" H · (top up 29¼" H)



A OS White Oak · Michael's Cherry

FVET-WL · end table
22" W x 24" D x 24" H



B Oak · Vintage Antique

FVCS-WL
chair side end table
14" W x 24" D x 24" H



E OS White Oak · Michael's Cherry

FVST-WL · sofa table
42" W x 17" D x 29" H

WEST *Lake* Occasionals

Standard Features

A	B
•	•
•	•
•	•
•	•
•	•

- • 1" Solid top
- • Full extension drawers
- • Soft close (concealed hinge) doors
- • Adj. shelf behind doors
- • Hardware = Weathered Nickel drawer pull and knob **F-1, F-2** (shown)

Optional Features

A	B
•	•
•	•
•	•

- • Omit rope detail (no up charge)
- • Omit leg grooves (no up charge)
- • Blum, soft close undermount drawers



FVET-WL-EN
enclosed end table
22" W x 24" D x 24" H



FVST-WL-EN
enclosed sofa table
42" W x 15" D x 29" H





FORKS VALLEY WOODWORKING

Better Because ...

STANDARDS



Leg levelers on all legs for easy installation.



5/8" Thick dovetailed, full-extension functional drawers



Solid hardwood sides and tops

Adjustable shelves are made of top grade hardwood plywood with solid nosing the front

Optional solid shelves available upon request



3/4" Raceway in back for easy wiring from shelf to shelf in all component areas.

All shelves are fully adjustable.



Bottoms underneath media stands (with drawers on bottom) create a dust shield and add sturdiness.



DVD Boxes or Adjustable DVD Shelf

When adding pocket doors to open TV area with adjustable DVD shelf, DVD shelf changes to DVD drop box and visa versa. When omitting pocket doors, DVD box changes to adjustable DVD shelf. (DVD drop box 5" H x 38" W)

OPTIONS



Change drawers to open VCR area. When drawers are on the bottom, open VCR area moves above doors (along the top).



Change open VCR area to drawers on any media stand.



1 1/4" thick Live Edge top on any media stand; add code **LET** after standard product code.

FVSB-42



FVSB-58



Sound Bar Stand

FVSB-42 · 14" D x 42" W
interior: 5" H x 38 1/2" W

FVSB-58 · 14" D x 58" W
interior: 5" H x 54 1/2" W



Add 4 1/4" high open sound bar area along top, on any stand; adds 6" overall height. Add code **SB** after standard product code



Blum – soft close undermount slides



4 Heavy-duty casters (600 lb. total capacity)



LED lighting with dimmable touch switch (warm white)



Add 23" wide fireplace to any media stand; add code **FP** after any standard product code.

Media Stands

In widths from 43" to 73", and storage options including shelves, doors, drawers or combination configurations, there is a Forks Valley unit for all TVs, DVD players, game systems and accessories.



Artesa Media Stands



Hidden Drawers

Standard Features

A	B	C	D	E	
•	•	•	•	•	Solid, 4-sided tapered legs
	•	•	•	•	Smoked glass
		•	•	•	Smooth sliding track for all doors with simple mechanism for easy removal
	•		•	•	2 Adj. shelves behind glass doors
•		•			1 Adj. shelf and cord hole behind each door
			•	•	1 Adj. shelf on left side; 2 hidden drawers with shelf behind right door
•					Soft close, concealed hinge doors
•					23" wide fireplace
•		•	•	•	Hardware = 1" Wrought Iron knob P-1 (shown)

Optional Features

A	B	C	D	E	
•					63" W, side doors get narrower (no up charge)
	•		•	•	Add 4¼" H open sound bar area along top, adds 6" to overall height; add SB after standard product code
	•	•	•	•	Self-positioning, soft-closing sliding doors
	•	•	•	•	Change sliding doors to hinged doors (no up charge)
		•			Change drawers to open VCR area above doors

See page 195 for dimensional details.



Cherry • Earthtone
A

FVE-3672-A-FP
72" W x 19¾" D x 36" H



OS White Oak • Michael's Cherry
B

FVE-048-A
48" W x 19¾" D x 30¼" H



Rustic Cherry • Michael's Cherry
C

FVE-3663-A-BP
63" W x 19¾" D x 36" H



Rustic Cherry • Michael's Cherry
D

FVE-060-A-BP
63" W x 19¾" D x 30¼" H



Rustic Cherry • Michael's Cherry
E


FVE-072-A-BP
72" W x 19¾" D x 30¼" H

Boulder Creek Media Stands

Standard Features

A	B	C	
•	•	•	Curved, reversed panel sides
•	•	•	Smoked glass
•	•	•	1 adj. shelf behind each door
•			Soft close (concealed hinge) doors
	•	•	Smooth sliding track for all doors with simple mechanism for easy removal
•	•	•	Hardware = 1" Black knob U (shown)

Optional Features

A	B	C	
•			Add 4¼" H open sound bar area along top, adds 6" to overall height; add SB after standard product code
•	•	•	Omit inlays (no up charge)
•	•		Blum, soft close undermount drawers
•	•		Change drawers to open VCR area above doors
		•	Change open VCR area to drawers
	•	•	Self-positioning, soft-closing sliding doors
	•	•	Change sliding doors to hinged doors (no up charge)
•	•	•	Hardware = O-1  (no up charge)



Sliding Door

See page 195 for dimensional details.



A OS White Oak · Michael's Cherry

FVE-032-BC-BP
63" W x 19" D x 29" H



B Rustic Cherry · Michael's Cherry

FVE-3663-BC-BP
63" W x 19¾" D x 36" H



C Rustic Hickory · Golden Harvest


FVE-060-BC36
63" W x 19¾" D x 36" H

Boulder Creek Media Stands

Standard Features

A	B	C	
•	•	•	Curved, reversed panel sides
•	•	•	Smoked glass
•	•	•	Smooth sliding track for all doors with simple mechanism for easy removal
•	•	•	2 Adj. shelves behind glass doors
•	•	•	1 Adj. shelf on left side; 2 hidden drawers with shelf behind right door
•	•	•	Hardware = 1" Black knob U (shown)

Optional Features

A	B	C	
•	•	•	Add 4¼" H open sound bar area along top, adds 6" to overall height; add SB after standard product code
•	•	•	Self-positioning, soft-closing sliding doors
•	•	•	Omit inlays (no up charge)
•	•	•	Change sliding doors to hinged doors (no up charge)
•	•	•	Hardware = O-1  (no up charge)



Sliding Door



Hidden Drawers

See pages 195-196 for dimensional details.



A

FVE-048-BC
48" W x 19¾" D x 29" H



B

FVE-060-BC-BP
63" W x 19¾" D x 29" H



C

FVE-072-BC-BP
72" W x 19¾" D x 29" H

Carlisle

Media Stands

Standard Features

A	B
•	• 1" Solid top
•	• Soft close (concealed hinge) doors
•	• 1 Adj. shelf behind each door, with cord hole in back
•	• Hardware = 1¼", 1½" round wood knob A-1, A-2 (shown)

Optional Features

A	B
•	• Add 4¼" H open sound bar area along top, adds 6" to overall height; add SB after standard product code
•	• Change wood door to smoked glass (no up charge)
•	• Change open VCR area to drawers
•	• Blum, soft close undermount drawers

See page 196 for dimensional details.

Sap Cherry · Vintage Antique



A

FVE-3263-CR

63" W x 18½" D x 32" H

Oak · Nutmeg



B

FVE-072-CR

72" W x 18½" D x 32" H

CENTENNIAL

Media Stands

Standard Features

A	B	C	D	
•	•	•	•	1" Solid top
•	•	•	•	Smoked glass
•	•	•	•	Soft close (concealed hinge) doors
•	•	•	•	1 Adj. shelf behind each door
•	•	•	•	2 Adj. shelves behind glass doors
•	•	•	•	Hardware = 1" Black square knob R (shown)

Optional Features

A	B	C	D	
•	•		•	Add 4¼" H open sound bar area along top, adds 6" to overall height; add SB after standard product code
•	•	•	•	Blum, soft close undermount drawers
•	•	•	•	Change drawers to open VCR area above doors
•	•	•	•	Arts & Crafts mullion design MLAC must specify (no up charge)

See page 196 for dimensional details.



Colbran Media Stands

Standard Features

A	B	C	
•	•	•	1" Solid top
•	•	•	Solid tapered sides
•	•	•	Smoked glass
•	•	•	Soft close (concealed hinge) doors
•	•	•	1 adj. shelf behind each door
•	•	•	Hardware = 1" Black square knob R (shown)

Optional Features

A	B	C	
•	•	•	Add 4¼" H open sound bar area along top, adds 6" to overall height; add SB after standard product code
•	•	•	Blum, soft close undermount drawers
•	•	•	Change drawers to open VCR area above doors
•	•	•	Arts & Crafts mullion design MLAC must specify (no up charge)



Arts & Crafts
mullion design **MLAC**

See page 196 for dimensional details.

OS White Oak · Michael's Cherry
A



FVE-031-CB
49¼" W x 18¾" D x 29" H

OS White Oak · Michael's Cherry
B



FVE-032-CB-BP
61¼" W x 18¾" D x 29" H

OS White Oak · Golden Brown
C



**FVE-072-CB-BP · with
mullion design MLAC**
73¼" W x 18¾" D x 29" H

Ensenada

Media Stands

Standard Features

A	B	C	
•	•	•	Soft close (concealed hinge) doors
•	•	•	1 adj. shelf and cord hole behind each door
	•		23" wide fireplace
•	•	•	Hardware = 1" Satin Nickel knob and drawer pull T-1, T-2 (shown)

Optional Features

A	B	C	
		•	Add 4¼" H open sound bar area along top, adds 6" to overall height; add SB after standard product code
•	•	•	Change wood door to smoked glass (no up charge)
•	•	•	Change open VCR area to drawers
		•	Blum, soft close undermount drawers
•	•	•	Hardware = 1-A, 1-B (no up charge)



See pages 196-197 for dimensional details.

FINLAND

Media Stands


Standard Features

A	B
•	•
•	•
•	•

Soft close (concealed hinge) doors
 1 adj. shelf and cord hole behind each door
 Hardware = 1¼" Satin Nickel knob **O-1** (shown)

Optional Features

A	B
•	•
•	•
•	•
•	•
•	•

Add 4¼" H open sound bar area along top, adds 6" to overall height; add **SB** after standard product code
 Change wood door to smoked glass (no up charge)
 Change open VCR area to drawers
 Blum, soft close undermount drawers
 Hardware = **U** (no up charge) 

See page 197 for dimensional details.



Oak · Vintage Antique
A

FVE-3463-FL
63" W x 18¼" D x 34" H



Brown Maple · Earhtone
B

FVE-072-FL
72" W x 18¼" D x 31" H

HOUSTON

Media Stands

Standard Features

A	B	C	
•	•	•	Available in Rough Sawn Rustic Brown Maple or White Oak ONLY
•	•	•	1 Adj. shelf in each compartment
•	•	•	Self-positioning, soft close sliding doors
•	•	•	23" wide fireplace
•	•	•	Hardware = Swedish Iron door pull 7-B (shown)

Optional Features

A	B	C	
•	•	•	Add 4¼" H open sound bar area along top, adds 6" to overall height; add SB after standard product code
•	•	•	Blum, soft close undermount drawers
•	•	•	Wooden pegs in legs
•	•	•	Smooth (not rough sawn) surface; available in all wood species; replace -HT with -TB (example FVE-3160-TB), see page 99
•	•	•	63" W, side doors get narrower (no up charge)



Optional wooden pegs



Optional smooth surface

See page 197 for dimensional details.



Kascade

Media Stands

Standard Features

A	B	C	
•	•	•	Smoked glass
•	•	•	2 Adj. shelves behind glass doors
•	•	•	Smooth sliding track for all doors with simple mechanism for easy removal
	•	•	1 Adj. shelf behind wood doors
	•	•	1 Adj. shelf on left side; 2 hidden drawers with shelf behind right door
	•	•	Hardware = 1" Black square knob R (shown)

Optional Features

A	B	C	
•	•	•	Add 4¼" H open sound bar area along top, adds 6" to overall height; add SB after standard product code
•	•	•	Self-positioning, soft-closing sliding doors
•	•	•	Change sliding doors to hinged doors (no up charge)

See pages 197-198 for dimensional details.



Sliding Door



Hidden Drawers



FVE-048-KS
48" W x 19¾" D x 29" H



FVE-060-KS-BP
63" W x 19¾" D x 29" H



FVE-072-KS-BP
72" W x 19¾" D x 29" H

Kascade Media Stands

Standard Features

A	B	C	
•	•	•	2 Adj. shelves behind glass doors
•	•	•	1 Adj. shelf behind wood doors
•	•		Smooth sliding track for all doors with simple mechanism for easy removal
		•	Soft close (concealed hinge) doors
•	•	•	Hardware = 1" Black square knob R (shown)

Optional Features

A	B	C	
•	•		Self-positioning, soft-closing sliding doors
•	•		Change sliding doors to hinged doors (no up charge)
	•	•	Blum, soft close undermount drawers
•			Change open VCR area to drawers
	•		Change drawers to open VCR area above doors



See pages 197-198 for dimensional details.

Lexington Media Stands

Standard Features

A	B	C
•		• Soft close (concealed hinge) doors
	•	• Smoked glass
•	•	• 1 Adj. shelf and cord hole behind each door
	•	• Smooth sliding track for all doors with simple mechanism for easy removal
•	•	• Hardware = 1¼" Wrought Iron knob and drawer pull W-1, W-2 (shown)

Optional Features

A	B	C
•	•	• Add 4¼" H open sound bar area along top, adds 6" to overall height; add SB after standard product code
•	•	• Change wood door to smoked glass (no up charge)
	•	• Blum, soft close undermount drawers
	•	• Self-positioning, soft-closing sliding doors
•		• Change open VCR area to drawers
	•	• Change drawers to open VCR area above doors
•	•	• Hardware = 4-A, 4-B (no up charge)



Sliding Door

See page 198 for dimensional details.



A Oak · Vintage Antique

FVE-3163-LX
63" W x 19½" D x 31" H



B Oak · Vintage Antique

FVE-3663-LX
63¼" W x 19½" D x 36" H



C Sap Cherry · Vintage Antique

FVE-072-LX
72¼" W x 19½" D x 31" H

LEXINGTON ARC

Media Stands

Standard Features

A	B
•	•
•	•

Soft close (concealed hinge) doors with 1 adj. shelf behind each door

Hardware = 1" Satin Nickel knob and drawer pull **T-1, T-2** (shown)

Optional Features

A	B
•	•
•	•
•	•
•	•
•	•
•	•

Add 4¼" H open sound bar area along top, adds 6" to overall height; add **SB** after standard product code

Change wood door to smoked glass (no up charge)

Change open VCR area to drawers

Blum, soft close undermount drawers

Hardware = **1-A, 1-B** (no up charge)



See page 198 for dimensional details.

Marina

Media Stands

Standard Features

A	B
•	•
•	•
•	•
•	•

- 1" solid tops and sides
- Locking mitered joints on corners
- Soft close (concealed hinge) doors with 1 adj. shelf behind each door
- Hardware = Satin Nickel knob and drawer pull **10-A, 10-B** (shown)

Optional Features

A	B
•	•
•	•
•	•

- Blum, soft close undermount drawers
- Change open area to drawers
- Change wood door to smoked glass (no up charge)



Locking mitered corners

See page 199 for dimensional details.



Modesto Media Stands

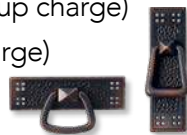
Standard Features

A	B	C	D	
•	•	•	•	1" Solid top
•	•	•	•	Smoked glass
•	•	•	•	Soft close (concealed hinge) doors with 1 adj. shelf behind doors
•				2 Adj. shelves behind glass doors
•	•	•	•	Hardware = Black pull and drawer pull L-1, L-2 (shown)

Optional Features

A	B	C	D	
•	•	•	•	Add 4¼" H open sound bar area along top, adds 6" to overall height; add SB after standard product code
•	•	•	•	Blum, soft close undermount drawers
•	•	•	•	Change drawers to open VCR area above doors
•	•	•	•	Mullion design, must specify (no up charge)
•	•	•	•	Hardware = M-1, M-2 (no up charge)

See page 196 for dimensional details.



Arts & Crafts
mullion design **MLAC**



Centennial
mullion design **MLCN**

Brown Maple · Asbury Brown
B



FVE-031-MD
48" W x 18¼" D x 29" H

OS White Oak · Michael's Cherry
C



FVE-032-MD-BP
60" W x 18¼" D x 29" H

OS White Oak · Michael's Cherry
A



FVE-032-MD-BP 36"
with mullion design **MLCN**
60" W x 18¼" D x 36" H

OS White Oak · Asbury Brown
D



FVE-072-MD-BP
72" W x 18¼" D x 29" H

Old Classic Sleigh Media Stands

Standard Features

A	B	C	
•	•	•	1" Solid top
•	•	•	Smoked glass
•	•	•	Soft close (concealed hinge) doors
•	•	•	1 Adj. shelf behind each door
•	•	•	Hardware = 1 1/8", 1 3/4" Low profile round wood knob C-1, C-2 (shown)

Optional Features

A	B	C	
•	•	•	Blum, soft close undermount drawers
•	•	•	Change drawers to open VCR area above doors



Corner Detail

See page 199 for dimensional details.



FVE-031-OCS
48" W x 20 1/4" D x 30 1/2" H



FVE-043-OCS-BP
60" W x 20 1/4" D x 30 1/2" H



FVE-072-OCS-BP
72" W x 20 1/4" D x 30 1/2" H

RENO, SARATOGA and *Sierra* Media Stands

Standard Features

A	B	C	
•	•	•	1" Solid top
		•	Smoked glass
•	•	•	Soft close (concealed hinge) doors
•	•	•	1 Adj. shelf behind each door
		•	Solid curved base, curved drawer fronts
		•	2 Adj. shelves behind each door
•			Hardware = 1 ³ / ₁₆ " Oil Rubbed Bronze knob and drawer pull 5-A, 5-B (shown)
	•		Hardware = 1 ¹ / ₄ " Satin Nickel knob and drawer pull I-1, I-2 (shown)
		•	Hardware = 1 ¹ / ₄ " Satin Nickel knob O-1 (shown)

Optional Features

A	B	C	
•	•		Blum, soft close undermount drawers
	•		Change wood door to smoked glass
	•		Change open VCR area to drawers
•			Hardware = 6-A, 6-B (no up charge)
	•		Hardware = J-1, J-2 (no up charge)



See page 199 for dimensional details.



Hickory · Grey Flannel

A

FVE-3663-RN
Reno media stand
63¹/₂" W x 19³/₄" D x 36" H



Sap Cherry · Burnt Umber

B

FVE-3474-ST
Saratoga media stand
74" W x 19³/₄" D x 34" H



Sap Cherry · Vintage Antique

C

FVE-3463-SR
Sierra media stand
63" W x 19" D x 34" H

TIMBRA

Media Stands

Standard Features

A	B	C	
•	•	•	1 Adj. shelf in each compartment
•	•	•	Self-positioning, soft close sliding doors
		•	1¼" thick Live edge tops
•	•	•	Hardware = Swedish Iron door pull 7-B (shown)

Optional Features

A	B	C	
•	•	•	Add 4¼" H open sound bar area along top, adds 6" to overall height; add SB after standard product code
•	•	•	Blum, soft close undermount drawers
•	•	•	1¼" thick live edge top, add code LET
		•	Add 23" W fireplace in center section (no drawer), code FVE-3172-TB-FP

See page 197 for dimensional layouts.

Rustic Hickory · Golden Pecan

A



FVE-3160-TB
60" W x 19½" D x 31" H

Rustic OS White Oak · Asbury

B



FVE-3172-TB
72" W x 19½" D x 31" H

Sap Cherry · Chestnut

C



FVE-3160-TB-LET
60" W x 19½" D x 31¼" H
shown with optional live edge top

Victorian and WEST Lake Media Stands

Standard Features

A	B	C	
•	•	•	Smoked glass
•	•	•	Soft close (concealed hinge) doors
•			2 Adj. shelves behind each door
	•	•	1" Solid top
	•	•	1 Adj. shelf behind each door
	•	•	Mitered corners on doors and drawer fronts
•			Hardware = Oil rubbed bronze knob and drawer pull S-1, S-2 (shown)
	•	•	Hardware = Weathered Nickel drawer pull and knob F-1, F-2 (shown)

Optional Features

A	B	C	
•	•	•	Add 4¼" H open sound bar area along top, adds 6" to overall height; add SB after standard product code
•	•	•	Blum, soft close undermount drawers
•	•	•	Change glass doors to wood
	•	•	Change drawers to open VCR area above doors

See pages 196 and 199 for dimensional details.



Classic Mission Media Stands

Standard Features

A	B
•	•
•	•
•	•
•	•

- Soft close (concealed hinge) doors
- 1 Adj. shelf behind each door
- Hardware = 1¼" Round wood knob **A-1** (shown)
- Hardware = 1¼" Square pyramid wood knob **B-1** (shown)

Optional Features

A	B
•	•
•	•
•	•

- Swivel
- Change wood doors to smoked glass (no up charge)
- Cathedral arch top doors



Cathedral arch top door option

See pages 202 for dimensional details.



A
Oak · Nutmeg

FVE-024-C-XL
Classic media stand
with optional swivel
43" W x 17¾" D x 29¼" H



C
OS White Oak · Michael's Cherry

FVE-024-M-XL
Mission media stand
43" W x 17¾" D x 29¼" H

Value-Dressed

The Forks Valley value-dressed line is moderately priced, yet features the same high-quality construction, hand craftsmanship and attention to style details found in all our solid wood media and entertainment furniture.

DURHAM Media Stands

Standard Features

A	B	
•	•	Solid top
•	•	Plywood sides
•	•	Available in oak, cherry, hickory, quarter sawn white oak, and brown maple
•	•	DVD opening 5" H
•	•	Hardware = 1¼" Round wood knob A-1 (shown)



Media Cabinets & Entertainment Centers

In widths from 43" to 73", and storage options including shelves, doors, drawers or combination configurations, there is a Forks Valley unit for all TVs, DVD players, game systems and accessories.





Rustic Cherry • Michael's Cherry
A

FVE-060-A
Artesa media cabinet
63" W x 19¾" D x 82½" H
(50" wide TV area)



OS White Oak • Michael's Cherry
B

FVE-032-CB
Colbran media cabinet
61¼" W x 18¾" D x 80" H
(49" wide TV area)

Artesa and Colbran Media Cabinets

See pages 200 for dimensional details.

Standard Features

A	B
•	•
•	•
•	•
•	•
•	•
•	•
•	•
•	•
•	•
•	•
•	•

- Two-piece unit
- Smoked glass
- Solid, 4-sided tapered legs
- Smooth sliding track for all doors with simple mechanism for easy removal
- 1 Adj. shelf behind left door, 2 Adj. shelves behind glass door, 2 Hidden drawers with shelf behind right door
- Soft close (concealed hinge) doors
- 1 Adj. shelf behind each door
- Hardware = 1" Wrought Iron knob **P-1** (shown)
- Hardware = 1" Black square knob **R** (shown)

Optional Features

A	B
•	•
•	•
•	•

- LED touch light above shelf in hutch
- Self-positioning, soft-closing sliding doors
- Blum, soft close undermount drawers



Hidden Drawers



Boulder Creek Media Cabinets



Sliding Door




Hidden Drawers

See pages 200 for dimensional details.

Standard Features

A	B	
•	•	Two-piece unit
•	•	Curved, solid reversed panel sides
•	•	Smoked glass
•	•	Smooth sliding track for all doors with simple mechanism for easy removal
•		Bifold pocket doors
•		1 Adj. shelf behind wood doors, 2 adj. shelves behind glass door
•		2 Hidden drawers with shelf behind right door, 1 adj. shelf behind left door, 2 adj. shelves in center
•	•	Hardware = 1" Black knob U (shown)

Optional Features

A	B	
•	•	LED touch light above shelf in hutch
•	•	Self-positioning, soft-closing sliding doors
•	•	Hardware = O-1  (no up charge)

OS White Oak · Michael's Cherry



FVE-05-CN
57¼" W x 19¾" D x 60" H
(45" wide TV area)



OS White Oak · Michael's Cherry



FVE-06-CN
79" W x 19¾" D x 60" H
(52" wide TV area)



shown with optional bifold pocket doors

CENTENNIAL

Entertainment Centers

Standard Features

A	B	
•	•	Soft close (concealed hinge) doors
•		Smoked glass
•		Bifold pocket doors
•		2 Adj. shelves behind glass doors
•		5 Adj. shelves in stereo area
•	•	Hardware = 1" Black square knob R (shown)

Optional Features

A	B	
•		DVD drop box
•		Omit bifold pocket doors (adds 7" to TV area width)
	•	Add bifold pocket doors (deducts 7" to TV area width)
	•	Adjustable shelf above TV
	•	Blum, soft close undermount drawers

See pages 200 for dimensional details.



Cherry · CF-S-14 Medium Cherry

FVE-038-FCM
65½" W x 19¾" D x 68¾" H
(49" wide TV area)



QS White Oak · Michael's Cherry

FVE-039-FCM
85¾" W x 19¾" D x 68¾" H
(49" wide TV area)

FORKS

CONTEMPORARY MISSION

Media Cabinets

Standard Features

A	B
•	•
•	•
•	•
•	•
•	•
•	•
•	•
•	•
•	•
•	•

- Two-piece unit
- Top: 2 solid 1" tops with bevel
- Smoked glass in bifold pocket doors
- DVD drop box
- Solid wood base under TV
- Clear beveled glass in stereo door
- 3 Adj. shelves behind stereo door
- Soft close (concealed hinge) doors
- Hardware = 1¼" Black Nickel knob **E** (shown)

Optional Features

A	B
•	•
•	•

- Replace DVD drop box with DVD compartment under TV (no up charge)
- Omit bifold pocket doors (adds 7" to TV area width)

See pages 201 for dimensional details.

Cherry · CF-S-14 Medium Cherry



A

FVE-2060-KS

66¼" W x 21½" D x 73¾" H · (49" wide TV area)



QS White Oak · Michael's Cherry



B

FVE-060-KS

63¼" W x 19¾" D x 80¼" H
(52¼" wide TV area)

Kascade Media Cabinets



Sliding Door



Hidden Drawers

See pages 201 for dimensional details.

Standard Features

A	B
•	•
•	•
•	•
•	•
•	•
•	•
•	•
•	•
•	•
•	•
•	•

- Two-piece unit with smoked glass
- Bifold pocket doors
- 1 Adj. shelf each side
- 2 adj. shelves behind glass doors
- 1 Adj. shelf behind left door; 2 hidden drawers with shelf behind right door
- DVD drop box
- Adjustable shelf above TV
- Smooth sliding track for all doors with simple mechanism for easy removal
- Hardware = 1" Black square knob **R** (shown)

Optional Features

A	B
•	•
	•

- Self-positioning, soft-closing sliding doors
- LED touch light above shelf in hutch

OS White Oak · Michael's Cherry
A



FVE-043-OCS
Old Classic Sleigh media cabinet
60" W x 20¼" D x 82" H · (52¼" wide TV area)

Rustic Cherry · Rich Tobacco
B



FVE-047-VS
Victorian media cabinet
69¾" W x 17¾" D x 79¾" H · (53" wide TV area)

Old Classic Sleigh and Victorian Media Cabinets

See pages 201 for dimensional details.

Standard Features

A	B	
•	•	Two-piece unit
•	•	Smoked glass
•	•	Soft close (concealed hinge) doors
•	•	Adjustable shelf above TV
•		1 Adj. shelf behind each door
	•	2 Adj. shelves behind each glass door
	•	Fluted doors on top with 4 adj. shelves for storage on each side
•		Hardware = 1½", 1¾" Low profile round wood knob C-1, C-2 (shown)
	•	Hardware = 1¼" Oil rubbed bronze knob and drawer pull S-1, S-2 (shown)

Optional Features

A	B	
•	•	LED touch light above shelf in hutch
•	•	Blum, soft close undermount drawers

FORKS VALLEY WOODWORKING

Better Because ...



STANDARDS



Dimmable LED touch lighting on all lights (warm white)



Leg levelers on all legs for easy installation.



Soft close (concealed hinge) doors

OPTIONS



Add 5" high sound bar compartment to wall unit consoles on FVE-049, 051 (Adds 6 $\frac{3}{4}$ " height to console, must specify when ordering)



Sliding back panel on console for easy wiring access.
24" W x 12" H (must specify)



$\frac{3}{4}$ " Thick back in TV area to hang TV on



Remove 4" depth from any complete media wall (no upcharge)



Add 23" wide fireplace to any wall unit console; add code **FP** after any console product code.



4 Heavy-duty casters (600 lb. total capacity) on wall unit consoles FVE-049,051,058



Blum, soft close undermount slides

Media Wall Units

What sophisticated work of art should grace the wall of a large living room, a spacious family room or any other room needing an exceptional focal point? A Forks Valley wall unit is the perfect answer. Bonuses include lots of storage, room for displaying treasures, and the warm beauty of solid wood.





Rustic Cherry · Michael's Cherry
A

FVE-193-A
specify width when ordering



Rustic Cherry · Michael's Cherry
B

FVE-191-A
specify width when ordering

Artesa

3pc Wall Unit

Center unit available in 4 widths, specify when ordering.
45½" W | 50½" W | 55½" W | 60½" W

See page 202 for dimensional details.

Standard Features

A	B
•	•
•	•
•	•
•	•
•	•
•	•
•	•
•	•
•	•
•	•

- Smoked glass in center piece door
- Soft close (concealed hinge) doors
- Leg levelers
- Adjustable shelf with touch lighting above TV area
- 1 Adj. shelf behind each wood door
- LED touch lighting with 6 adj. glass shelves
- For wider widths – glass door stays constant, wooden doors get wider
- Hardware = 1" Wrought Iron knob **P-1** (shown)

Optional Features

A	B
•	•
•	•
•	•

- Make center unit 2 pieces
- Remove 4" depth on complete wall unit (no upcharge)
- Add bifold pocket doors to TV area (36½" TV area height, removes 7" from TV area width, open above TV area)

See complete options list on pg 110



Boulder Creek 6pc Wall Unit

**Center unit available
in 5 widths, specify
when ordering.**


**45½" W | 50½" W | 55½" W
60½" W | 68½" W**

See page 202 for dimensional details.

Standard Features

- Curved, solid reversed panel sides
- Smoked glass in console door
- Soft close (concealed hinge) doors
- Leg levelers
- Console included, bolted to side cabinets
- 1 Adj. shelf behind each wood door
- Adjustable shelf below bridge
- Full hanging back behind TV area
- LED touch lighting with 3 adj. glass shelves in each side cabinet
- For wider widths – glass door stays constant, wooden doors get wider
- Hardware = 1" Black knob **U** (shown)

Optional Features

- Heavy duty casters (console only)
- Remove 4" depth on complete wall unit (no upcharge)
- Hardware = **O-1**  (no up charge)

See complete options list on pg 110

Rustic OS White Oak · Asbury Brown

A



FVE-193-CB
specify width when ordering

Rustic OS White Oak · Asbury Brown

B



FVE-191-CB
specify width when ordering

Colbran

4pc Wall Unit

Center unit available in 4 widths, specify when ordering.
45½" W | 50½" W | 55½" W | 60½" W

See page 203 for dimensional details.

Standard Features

A B

- ● Smoked glass in center piece door
- ● Soft close (concealed hinge) doors
- ● Leg levelers
- ● Adjustable shelf with touch lighting above TV area
- ● 1 Adj. shelf behind each wood door
- ● Two-piece center unit
- LED touch lighting with 6 adj. glass shelves
- ● For wider widths – glass door stays constant, wooden doors get wider
- ● Hardware = 1" Black square knob **R** (shown)

Optional Features

A B

- ● Remove 4" depth on complete wall unit (no upcharge)
- ● Add bifold pocket doors to TV area (36½" TV area height, removes 7" from TV area width, open above TV area)

See complete options list on pg 110



FVE-36110-EN · 3pc Base only
110¼" W x 18¾" D x 36" H



FVE-85110-EN · 6pc Wall Unit
110¾" W x 18¾" D x 84¾" H (TV area: 50½" W x 13¼" D x 42¾" H)

Sap Cherry · Asbury



Ensenada

6pc Wall Unit



Optional full hanging back

Optional satin nickel door hangers & track

See page 206 for dimensional details.

Standard Features

- Self-positioning, soft close barn doors on top
- Soft close (concealed hinge) doors on base
- Leg levelers
- 3 pc. base is bolted together
- 1 Adj. shelf behind each door
- 2 Adj. shelves on each side, on top
- Hardware = Satin nickel door pull **9-B** (shown)

Optional Features

- Available in 60½" W TV area, standard depth and height; complete unit 20" wider; center console 3 doors; sides 1 drawer, 2 door base. **FVE-85130-EN**
- Adjustable shelf above TV
- Satin nickel door hangers and track
- 1/4" Thick, full hanging back behind TV area
- 3/4" Thick back to hang TV on
- Omit barn doors on top
- Add touch lights with glass shelves in top, side cabinets

See complete options list on pg 110



Sap Cherry · Asbury Brown

FVE-058-EN
includes console
specify width when ordering

Ensenada

6pc Wall Unit

**Center unit available
in 5 widths, specify
when ordering.**


**45½" W | 50½" W | 55½" W
60½" W | 68½" W**

See page 205 for dimensional details.

Standard Features

- Soft close (concealed hinge) doors
- Leg levelers
- Console included, bolted to side cabinets
- 1 Adj. shelf behind each wood door
- Adjustable shelf below bridge
- Full hanging back behind TV area
- LED touch lighting with 3 adj. glass shelves in each side cabinet
- For wider widths – glass door stays constant, wooden doors get wider
- Hardware = 1" Satin Nickel knob and drawer pull **T-1, T-2** (shown)

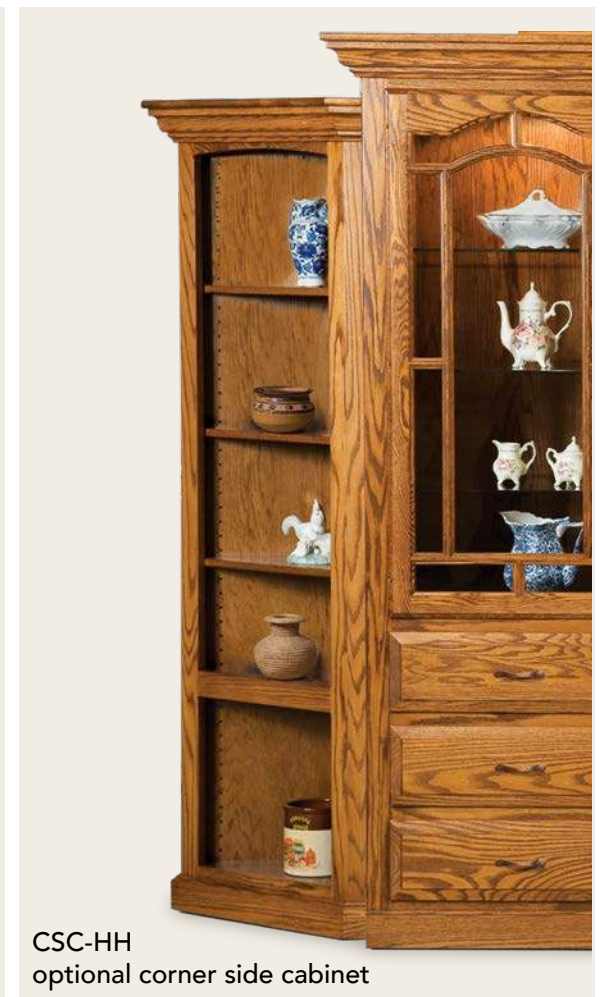
Optional Features

- Heavy duty casters (console only)
- Change center wood door to smoked glass door in console (no up charge)
- Remove 4" depth on complete wall unit (no upcharge)
- Hardware = **1-A, 1-B** (no up charge) 

See complete options list on pg 110



FVE-049-HH
includes console
specify width when ordering



CSC-HH
optional corner side cabinet

Hoosier Heritage

6pc Wall Unit

**Center unit available
in 5 widths, specify
when ordering.**

**45½" W | 50½" W | 55½" W
60½" W | 68½" W**

See page 204 for dimensional details.

Standard Features

- Smoked glass in console door
- Soft close (concealed hinge) doors
- Leg levelers
- Console included, bolted to side cabinets
- 1 Adj. shelf behind each console door
- Adjustable shelf below bridge
- Full hanging back behind TV area
- LED touch lighting with 3 adj. glass shelves in each side cabinet
- For wider widths – glass door stays constant, wood doors get wider
- Hardware = 1¼" Oil rubbed bronze knob and drawer pull **S-1, S-2** (shown)

Optional Features

- Corner side cabinets. **CSC-HH**
- Remove 4" depth on complete wall unit (no upcharge)
- Heavy duty casters (console only)

See complete options list on pg 110



OS White Oak · Michael's Cherry

A

FVE-193-MM
specify width when ordering



OS White Oak · Michael's Cherry

B

FVE-191-MM
specify width when ordering

MANHATTAN MISSION

3pc Wall Unit

Center unit available in 4 widths, specify when ordering.

45½" W | 50½" W | 55½" W | 60½" W



Hidden Drawers

See page 205 for dimensional details.

Standard Features

- | A | B |
|---|---|
| • | • |
| • | • |
| • | • |
| • | • |
| • | • |
| • | • |
| • | • |
| • | • |
| • | • |
- Soft close (concealed hinge) doors
 - Leg levelers
 - Adjustable shelf with touch lighting above TV area
 - 2 Hidden full-extension drawers behind bottom door on both side cabinets
 - LED touch lighting with 6 adj. glass shelves
 - For wider widths – glass door stays constant, wooden doors get wider
 - Hardware = 1" Black square knob **R** (shown)

Optional Features

- | A | B |
|---|---|
| • | • |
| • | • |
| • | • |
- Make center unit 2 pieces
 - Remove 4" depth on complete wall unit (no upcharge)
 - Add bifold pocket doors to TV area (36½" TV area height, removes 7" from TV area width, open above TV area)

See complete options list on pg 110



OS White Oak · Michael's Cherry

FVE-049-MM
includes console
specify width when ordering



CSC-MM
optional corner side cabinet

MANHATTAN MISSION 6pc Wall Unit

**Center unit available
in 5 widths, specify
when ordering.**

45½" W | 50½" W | 55½" W
60½" W | 68½" W

See page 204 for dimensional details.

Standard Features

- Smoked glass in console door
- Soft close (concealed hinge) doors
- Leg levelers
- Console included, bolted to side cabinets
- 1 Adj. shelf behind each console door
- Adjustable shelf below bridge
- Full hanging back behind TV area
- LED touch lighting with 3 adj. glass shelves in each side cabinet
- For wider widths – glass door stays constant, wooden doors get wider
- Hardware = 1" Black square knob **R** (shown)

Optional Features

- Corner side cabinets. **CSC-MM**
- Remove 4" depth on complete wall unit (no upcharge)
- Heavy duty casters (console only)

See complete options list on pg 110



OS White Oak · Asbury Brown

FVE-049-MD
includes console
specify width when ordering

Modesto

6pc Wall Unit

**Center unit available
in 5 widths, specify
when ordering.**

**45½" W | 50½" W | 55½" W
60½" W | 68½" W**

See page 205 for dimensional details.

Standard Features

- Smoked glass in console door
- Soft close (concealed hinge) doors
- Leg levelers
- Console included, bolted to side cabinets
- 1 Adj. shelf behind each console door
- Adjustable shelf below bridge
- Full hanging back behind TV area
- LED touch lighting with 3 adj. glass shelves in each side cabinet
- For wider widths – glass door stays constant, wooden doors get wider
- Hardware = Black drawer and door pull **L-1, L-2** (shown)

Optional Features

- Heavy duty casters (console only)
- Remove 4" depth on complete wall unit (no upcharge)
- Hardware = **M-1, M-2** (no up charge)



See complete
options list on pg 110

Rustic OS White Oak • Asbury Brown



FVE-051-MD
includes console
specify width when ordering

Modesto

6pc Wall Unit

**Center unit available
in 5 widths, specify
when ordering.**

45½" W | 50½" W | 55½" W

60½" W | 68½" W

See page 206 for dimensional details.

Standard Features

- Smoked glass in console door
- Soft close (concealed hinge) doors
- Leg levelers
- Console included, bolted to side cabinets
- 1 Adj. shelf behind each door
- Adjustable shelf below bridge
- Full hanging back behind TV area
- LED touch lighting with 3 adj. glass shelves in each side cabinet
- For wider widths – glass door stays constant, wooden doors get wider
- Hardware = Black drawer and door pull **L-1, L-2** (shown)

Optional Features

- Heavy duty casters (console only)
- Hardware = **M-1, M-2**
(no up charge)



See complete
options list on pg 110



Oak • Michael's Cherry

FVE-058-OCS
includes console
specify width when ordering

Old Classic Sleigh 6pc Wall Unit

**Center unit available
in 5 widths, specify
when ordering.**

**45½" W | 50½" W | 55½" W
60½" W | 68½" W**

See page 206 for dimensional details.

Standard Features

- Smoked glass in console door
- Soft close (concealed hinge) doors
- Leg levelers
- Console included, bolted to side cabinets
- 1 Adj. shelf behind each door
- Adjustable shelf below bridge
- Full hanging back behind TV area
- LED touch lighting with 3 adj. glass shelves in each side cabinet
- For wider widths – glass door stays constant, wooden doors get wider
- Hardware = 1½", 1¾" Low profile round wood knob **C-1, C-2** (shown)

Optional Features

- Heavy duty casters (console only)
- Remove 4" depth on complete wall unit (no upcharge)

See complete options list on pg 110



FVE-36110-TB · 3pc Base only
110 $\frac{1}{4}$ " W x 18 $\frac{3}{4}$ " D x 36" H



Sap Cherry · Vintage Antique

FVE-85110-TB
6pc Wall Unit
110 $\frac{3}{4}$ " W x 18 $\frac{3}{4}$ " D x 84 $\frac{3}{4}$ " H
(TV area: 50 $\frac{1}{2}$ " W x 13 $\frac{1}{4}$ " D x 42 $\frac{3}{4}$ " H)

TIMBRA

6pc Wall Unit



Optional full hanging back

Standard Features

- Self-positioning, soft close barn doors on top
- Soft close (concealed hinge) doors on base
- Leg levelers
- 3 pc. base is bolted together
- 1 Adj. shelf behind each door
- 2 Adj. shelves on each side, on top
- Hardware = Swedish Iron door pull **7-B** (shown)

Optional Features

- Add adjustable shelf above TV area
- 1/4" Thick, full hanging back behind TV area
- 3/4" Thick back to hang TV on
- Omit barn doors on top
- Add touch lights with glass shelves in top, side cabinets

See complete options list on pg 110

See page 206 for dimensional details.



Rustic Hickory • Golden Pecan



FVE-85130-TB • 6pc Wall Unit
 130¾" W x 18¾" D x 84¾" H
 (TV area: 60½" W x 13¼" D x 42¾" H)

TIMBRA

6pc Wall Unit



Optional full hanging back

Standard Features

- Self-positioning, soft close barn doors on top
- Soft close (concealed hinge) doors on base
- Leg levelers
- 3 pc. base is bolted together
- 1 Adj. shelf behind each door
- 2 Adj. shelves on each side, on top
- Hardware = Swedish Iron door pull **7-B** (shown)

Optional Features

- Add adjustable shelf above TV area
- 1/4" Thick, full hanging back behind TV area
- 3/4" Thick back to hang TV on
- Omit barn doors on top
- Add touch lights with glass shelves in top, side cabinets

See complete options list on pg 110

See page 206 for dimensional details.



Rustic Cherry · Rich Tobacco

A

FVE-193-VS
specify width when ordering



Rustic Cherry · Rich Tobacco

B

FVE-191-VS
shown with optional bifold pocket doors
specify width when ordering

Victorian 3pc Wall Unit

Center unit available in 4 widths, specify when ordering.
45½" W | 50½" W | 55½" W | 60½" W

Standard Features

A	B
•	•
•	•
•	•
•	•
•	•
•	•
•	•
•	•

- Soft close (concealed hinge) doors
- Leg levelers
- Adjustable shelf with touch lighting above TV area
- 2 Hidden full-extension drawers behind bottom door on both side cabinets
- LED touch lighting with 6 adj. glass shelves
- Hardware = 1¼" Oil rubbed bronze knob **S-1** (shown)

Optional Features

A	B
•	•
•	•
•	•

- Make center unit 2 pieces
- Remove 4" depth on complete wall unit (no upcharge)
- Add bifold pocket doors to TV area (36½" TV area height, removes 7" from TV area width, open above TV area)

See complete options list on pg 110



Hidden Drawers

See page 205 for dimensional details.

FORKS VALLEY WOODWORKING

Better Because ...

STANDARDS



5/8" Thick dovetailed,
full-extension functional drawers



Leg levelers on all legs
for easy installation.



3/4" Raceway in back for easy wiring from shelf to shelf in
all component areas. All shelves are fully adjustable.



Solid hardwood sides and tops

Corner Media Consoles & Hutches

Specially made to maximize often wasted space in corners and enhance the features of the room in which it is placed, a Forks Valley corner stand, cabinet or hutch displays (or hides) your entertainment equipment in style.




CORNER MEDIA
CONSOLES & HUTCHES

Artesa Boulder Creek CENTENNIAL Media Corner Consoles

Standard Features

A	B	C	
•	•	•	Smoked glass
•			Smooth sliding track for all doors with simple mechanism for easy removal
•			2 Adjustable shelves behind each door
	•	•	Soft close (concealed hinge) doors with 1 adjustable shelf behind each door
	•		Hardware = 1" Black knob U (shown)
		•	Hardware = 1" Black square knob R (shown)

Optional Features

A	B	C	
•			Self-positioning, soft-closing sliding doors
	•	•	Blum, soft close undermount drawers
	•		Omit inlays (no up charge)
	•		Hardware = O-1 (no up charge) 

See page 207 for dimensional details.



Classic Mission

Media Corner Consoles

Standard Features

A	B
•	•
•	•
•	•
•	•

- Soft close (concealed hinge) doors
- 1 Adjustable shelf behind each door
- Hardware = 1¼" Round wood knob **A-1** (shown)
- Hardware = 1¼" Square pyramid wood knob **B-1** (shown)

Optional Features

A	B
•	•
•	•
•	•
•	•

- Swivel
- Change wood doors to smoked glass (no up charge)
- Available in XL (56" wide)
FVE-033-CXL · 56" W x 22" D x 29¼" H
FVE-033-MXL · 56" W x 22" D x 29¼" H
- Cathedral arch top doors



Cathedral arch top door option

See page 207 for dimensional details.



FVE-033-C · Classic corner console · 48¾" W x 22" D x 29¼" H



FVE-033-M
 Mission corner console · 48¾" W x 22" D x 29¼" H




Artesa Boulder Creek 2pc Media Corner Consoles with Hutch

See pages 207-208 for dimensional details.

Standard Features

A	B	C	D	
•	•	•	•	Smoked glass
•	•	•	•	1 Adj. shelf behind right wood door and glass door
•	•	•	•	All doors on smooth sliding track with simple mechanism for easy removal
•			•	2 Piece unit
•			•	1 Adj. shelf above TV area
•	•			Hardware = 1" Wrought Iron knob and drawer pull P-1, P-2 (shown)
		•	•	Hardware = 1" Black knob U (shown)

Optional Features

A	B	C	D	
•	•	•	•	Self-positioning, soft-closing sliding door
•	•	•	•	Blum, soft close undermount drawers
•			•	LED touch light above TV area
		•	•	Omit inlays (no up charge)
		•	•	Hardware = O-1 (no up charge) 



Modesto

Old Classic Steigh

2pc Media Corner Consoles with Hutch


See pages 207-208 for dimensional details.

Standard Features

A	B	C	D	
•	•	•	•	Smoked glass
•	•	•	•	1 Adj. shelf behind right wood door and glass door
•	•	•	•	All doors on smooth sliding track with simple mechanism for easy removal
•				2 Piece unit
•				1 Adj. shelf above TV area
•	•			Hardware = Black door and drawer pull L-1, L-2 (shown)
		•	•	Hardware = 1½", 1¾" Low profile round wood knob C-1, C-2 (shown)

Optional Features

A	B	C	D	
•	•	•	•	Self-positioning, soft-closing sliding door
•	•	•	•	Blum, soft close undermount drawers
•				LED touch light above TV area
		•	•	Hardware = M-1, M-2 (no up charge)



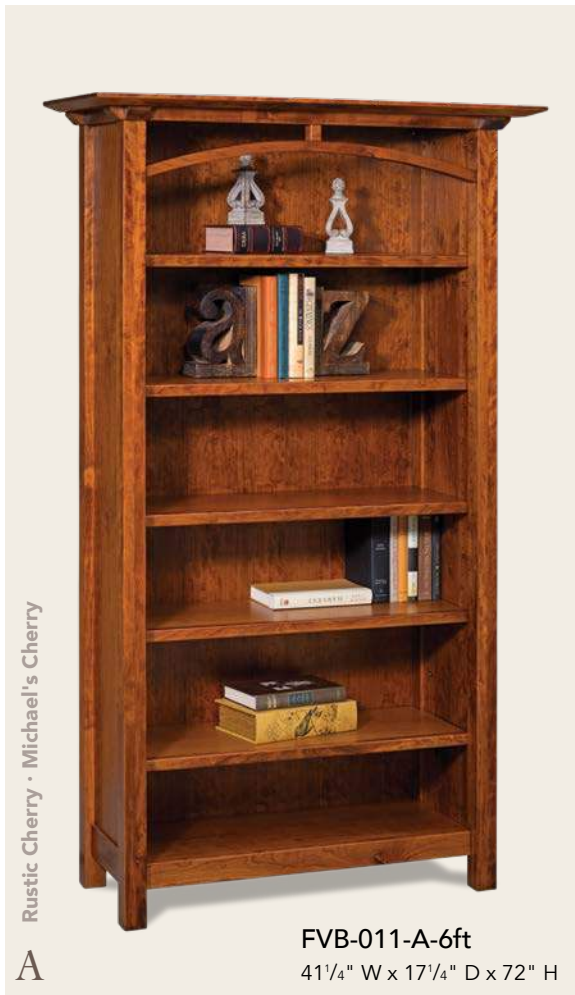


Bookcases & Stereo Cabinets

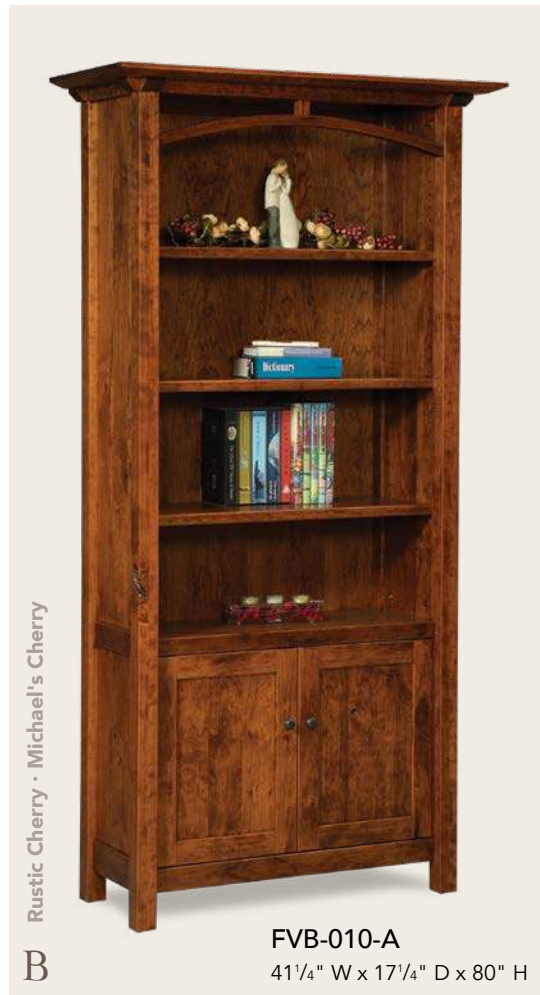
Like the printed volumes and decorative items they lovingly display, bookcases by Forks Valley beautifully reflect the taste of their owners. In addition, our stereo cabinets provide a stylish and durable way to protect valuable equipment.



BOOKCASES &
STEREO CABINETS



A Rustic Cherry · Michael's Cherry
FVB-011-A-6ft
41 1/4" W x 17 1/4" D x 72" H



B Rustic Cherry · Michael's Cherry
FVB-010-A
41 1/4" W x 17 1/4" D x 80" H



C Rustic Cherry · Michael's Cherry
FVB-5466-A
54" W x 17 1/4" D x 66" H

Artesa Bookcases

Standard Features

A	B	C	
•	•	•	11 1/2" deep shelves
•			5 Adj. shelves
	•		Soft close (concealed hinge) doors
	•		Drilled for adj. shelves behind wood doors
	•		4 Adj. shelves, 1 with plate groove
	•		Self positioning, soft close sliding glass doors with leaded and antique glass
	•		8 Adj. shelves, 2 with plate groove
	•		Hardware = 1" Wrought iron knob P-1 (shown)

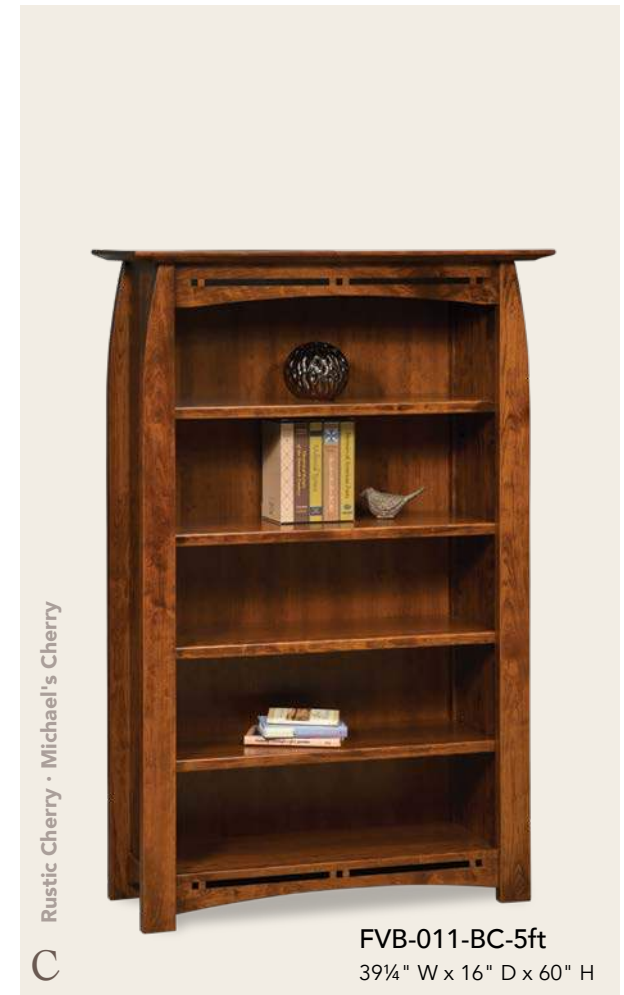
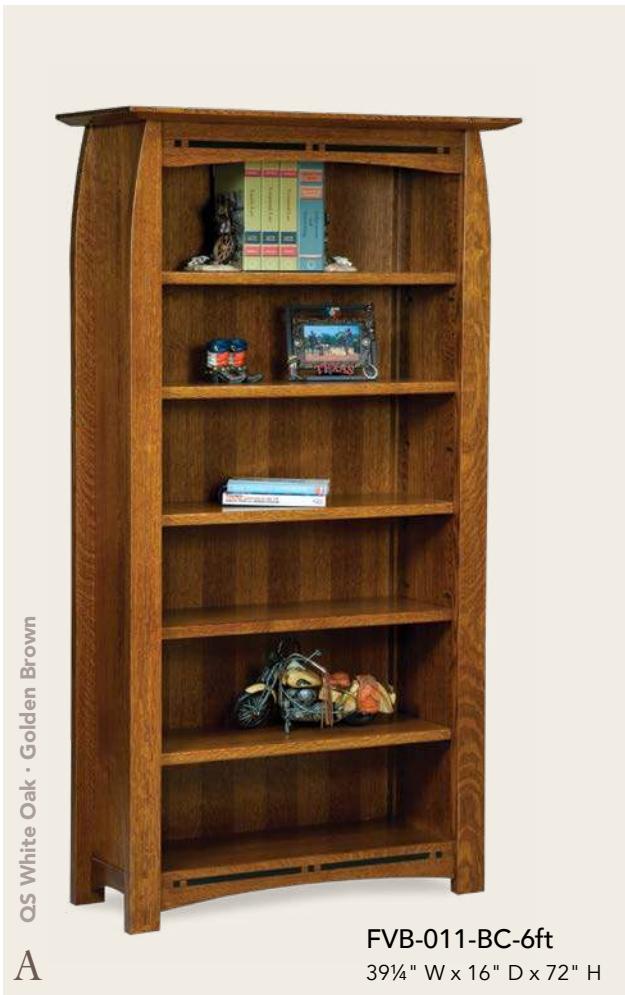
Optional Features

A	B	C	
		•	Clear glass
		•	No doors

Also available:

FVB-011-A-5ft
41 1/4" W x 17 1/4" D x 60" H
4 shelves – one with plate groove

FVB-011-A-4ft
41 1/4" W x 17 1/4" D x 48" H
3 shelves – one with plate groove



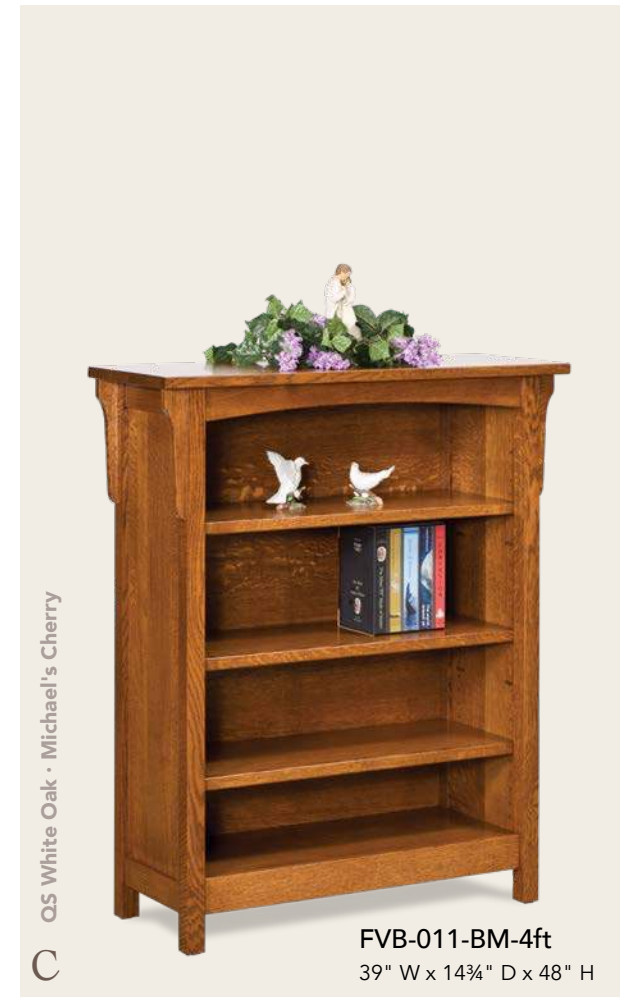
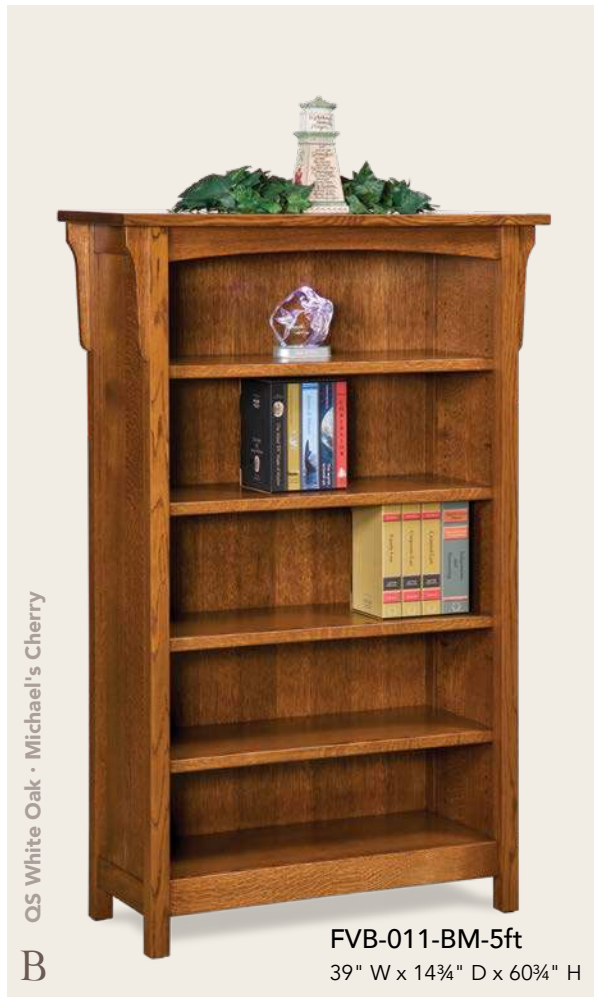
Boulder Creek Bookcases

Standard Features

A	B	C	
•	•	•	11½" deep shelves
	•		Soft close (concealed hinge) doors
	•		Drilled for adj. shelves behind wood doors
•	•		4 Adj. shelves, 1 with plate groove
•			Hardware = 1" Black knob U (shown)

Also available:

FVB-011-BC-4ft
39¼" W x 16" D x 48" H
3 shelves – one with plate groove



Bridger Mission Bookcases



Optional Glass Doors

Standard Features

A	B	C	
•	•	•	11½" deep shelves
•	•		4 Adj. shelves, 1 with plate groove
•			Soft close (concealed hinge) doors
•			Drilled for adj. shelves behind wood doors
•			Hardware = 1¼" Square pyramid knob B-1 (shown)

Optional Features

A	B	C	
•	•	•	Glass doors with mullion

Also available:

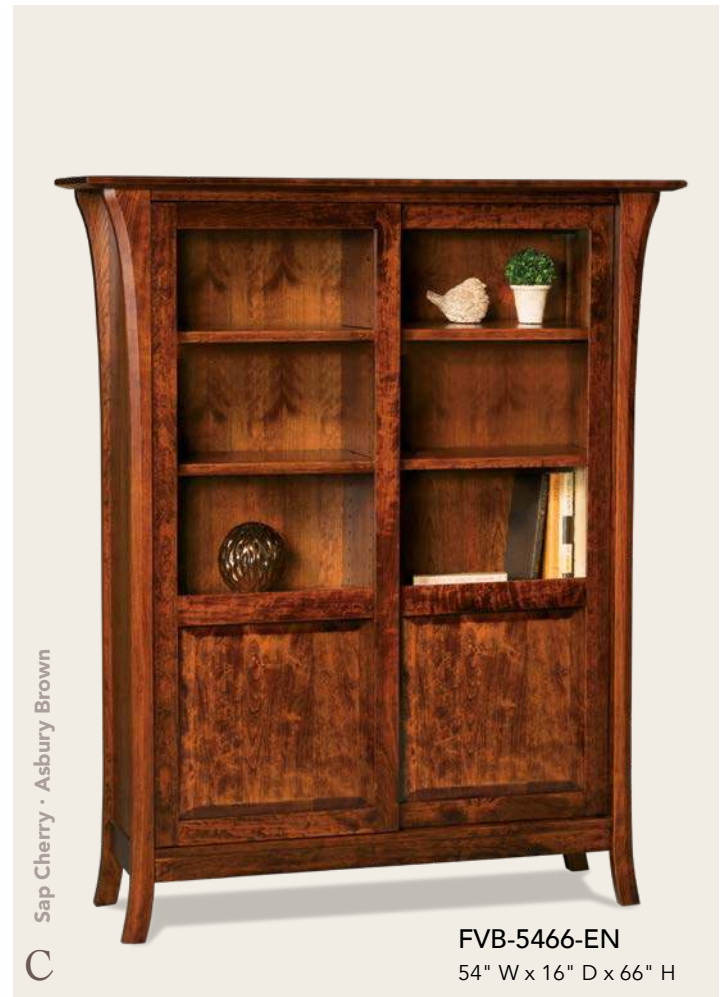
FVB-011-BM-6ft
39" W x 14¾" D x 72" H
5 shelves – one with plate groove



FVB-010-EN
42 1/4" W x 14 3/4" D x 80" H



FVB-011-EN-6ft
42 1/4" W x 14 3/4" D x 72" H



FVB-5466-EN
54" W x 16" D x 66" H

Ensenada Bookcases

Standard Features

A	B	C
•	•	•
•		
•		
•		
•		
•		
•		
•		

- 11 1/2" deep shelves
- Soft close (concealed hinge) doors
- Drilled for adj. shelves behind wood doors
- 4 Adj. shelves, 1 with plate groove
- Self positioning, soft close sliding glass/wood doors with antique glass
- 8 Adj. shelves, 2 with plate groove
- Hardware = 1" Satin nickel knob **T-1** (shown)

Optional Features

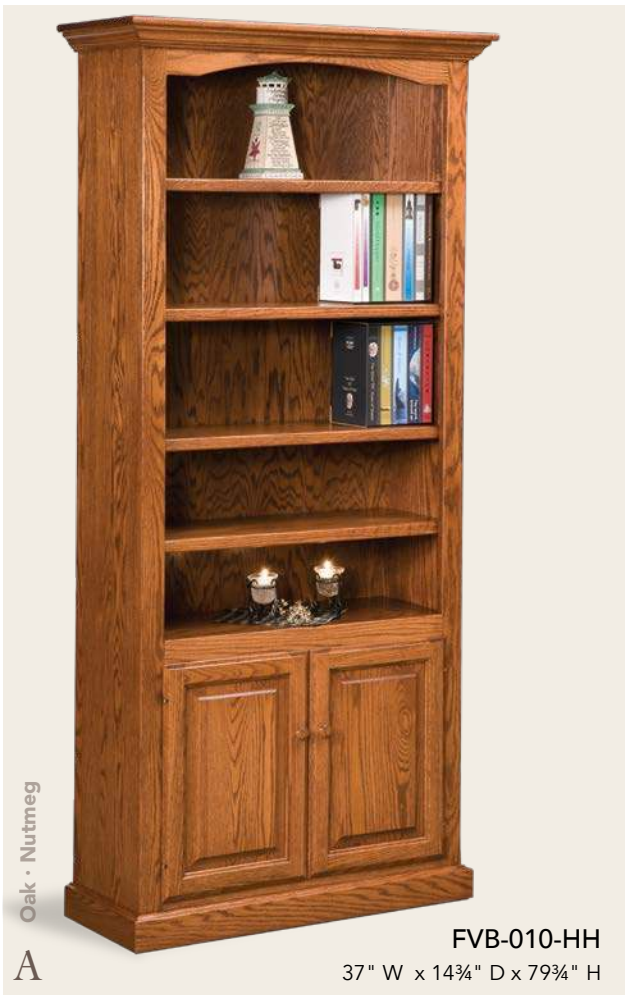
A	B	C
		•
		•

- Clear glass
- No doors

Also available:

FVB-011-EN-5ft
42 1/4" W x 14 3/4" D x 60" H
4 shelves – one with plate groove

FVB-011-EN-4ft
42 1/4" W x 14 3/4" D x 48" H
3 shelves – one with plate groove



Hoosier Heritage Bookcases

Standard Features

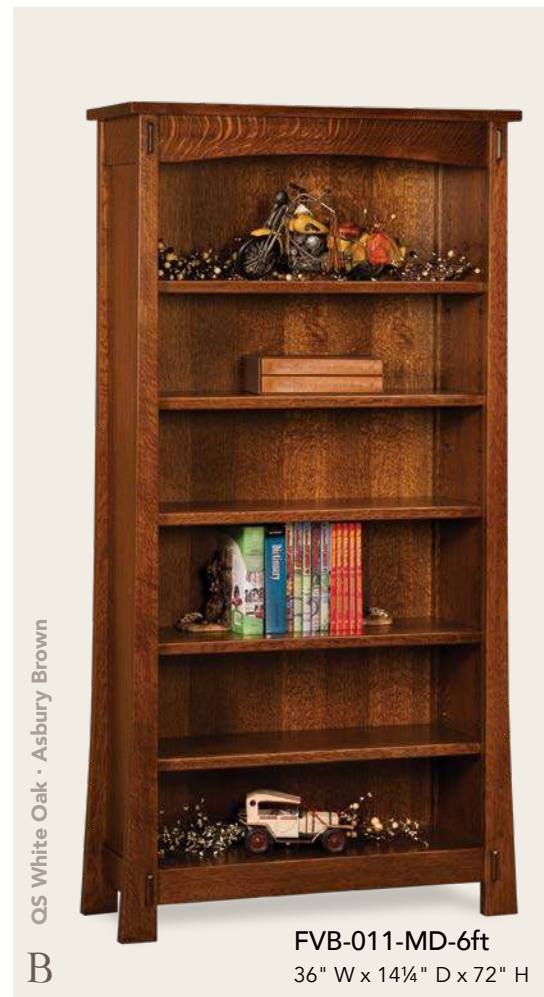
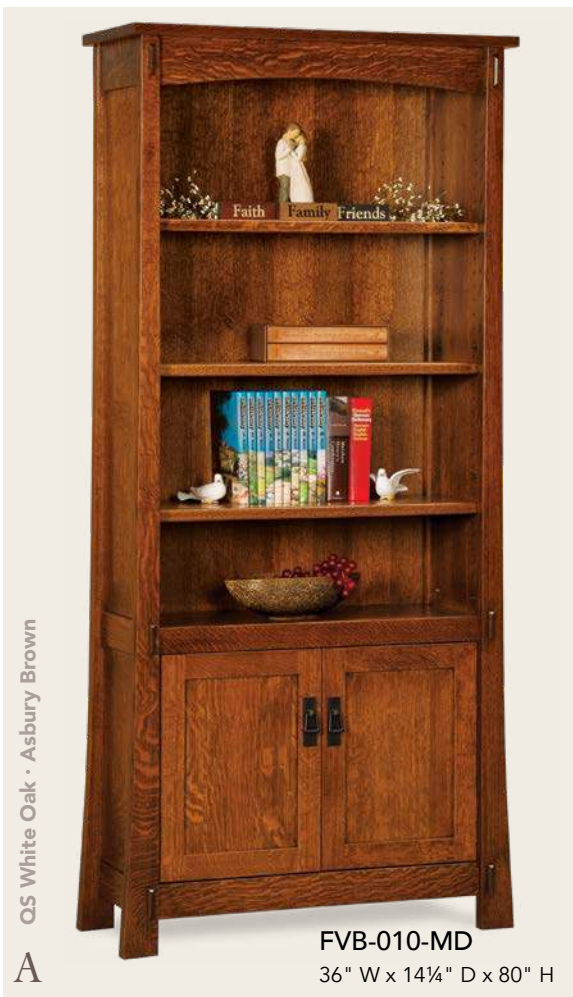
A	B	C	
•	•	•	11½" deep shelves
•			Soft close (concealed hinge) doors
•			Drilled for adj. shelves behind wood doors
•	•		4 Adj. shelves, 1 with plate groove
•	•	•	Hardware = 1¼" Round wood knob A-1 (shown)

Optional Features

A	B	C	
•	•	•	Glass doors with mullion

Also available:

FVB-011-HH-6ft
37" W x 14¾" D x 71¾" H
5 shelves – one with plate groove



Modesto Bookcases

Standard Features

A	B	C	
•	•	•	11½" deep shelves
•			Soft close (concealed hinge) doors
•			Drilled for adj. shelves behind wood doors
•			4 Adj. shelves, 1 with plate groove
		•	Self positioning, soft close sliding glass & wood doors with clear glass
		•	8 Adj. shelves, 2 with plate groove
•			Hardware = Black door pull L-1 (shown)

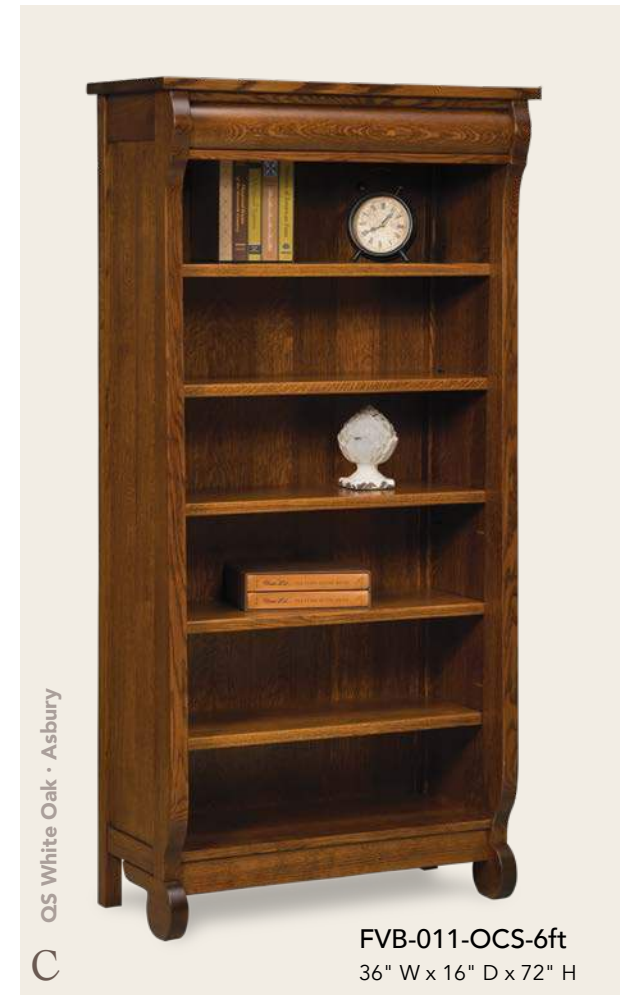
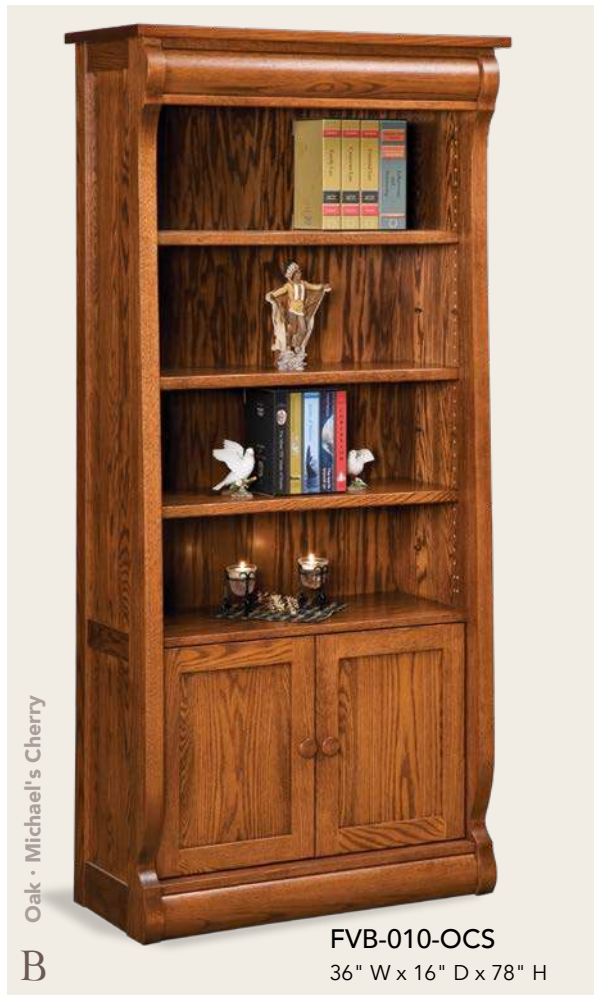
Optional Features

A	B	C	
		•	No doors

Also available:

FVB-011-MD-5ft
36" W x 14¼" D x 60" H
4 shelves – one with plate groove

FVB-011-MD-4ft
36" W x 14¼" D x 48" H
3 shelves – one with plate groove



Old Classic Sleigh Bookcases



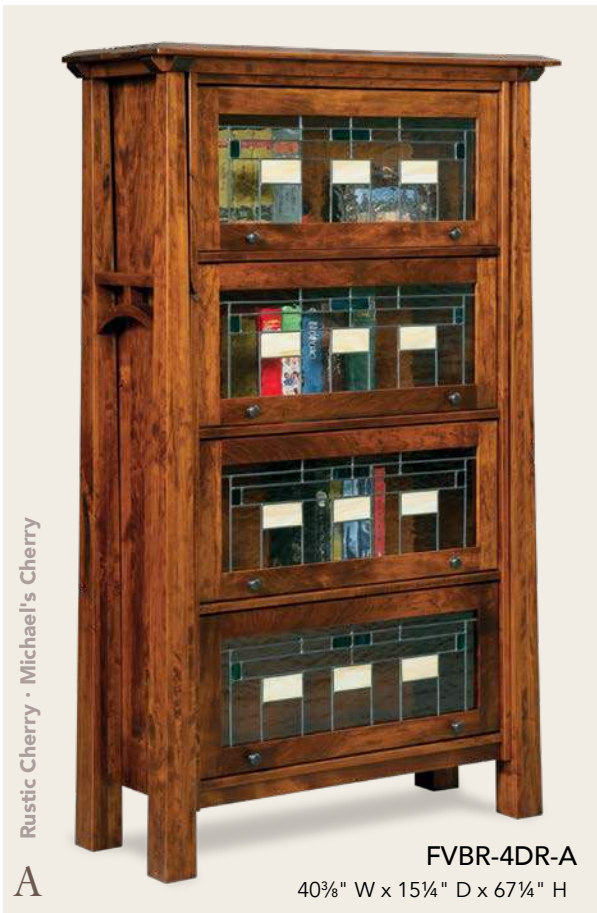
Optional Glass Doors

Standard Features

A	B	C	
•	•	•	11½" deep shelves
•	•		4 Adj. shelves, 1 with plate groove
			Soft close (concealed hinge) doors
			Drilled for adj. shelves behind wood doors
			Hardware = 1¾" Low profile round wood knob C-2 (shown)

Optional Features

A	B	C	
•	•	•	Glass doors



Rustic Cherry · Michael's Cherry

A

FVBR-4DR-A
40 3/8" W x 15 1/4" D x 67 1/4" H



Rustic Cherry · Michael's Cherry

B

FVBR-4DR-BC
39 1/4" W x 16" D x 63 1/2" H



QS White Oak · Golden Brown

C

FVBR-4DR-CB
40" W x 15 1/2" D x 64" H

Artesa Boulder Creek Colbran Barrister Bookcases

Standard Features

A	B	C	
•	•	•	11 1/2" D x 12 1/2" H book area
•	•	•	4 doors, slide smoothly into cabinet on roller glides
•			Leaded glass LGAC
	•		Leaded glass LGTU
		•	Leaded glass LGCB
•			Hardware = 1" Wrought iron knob P-1 (shown)
	•		Hardware = 1" Black knob U (shown)
		•	Hardware = 1" Black square knob R (shown)

Optional Features

A	B	C	
•	•	•	Switch leaded glass pattern (no up charge)
•	•	•	Clear, beveled glass
•	•	•	5 door, 3 door, or 2 door (add or deduct 1 1/4" H for each door)



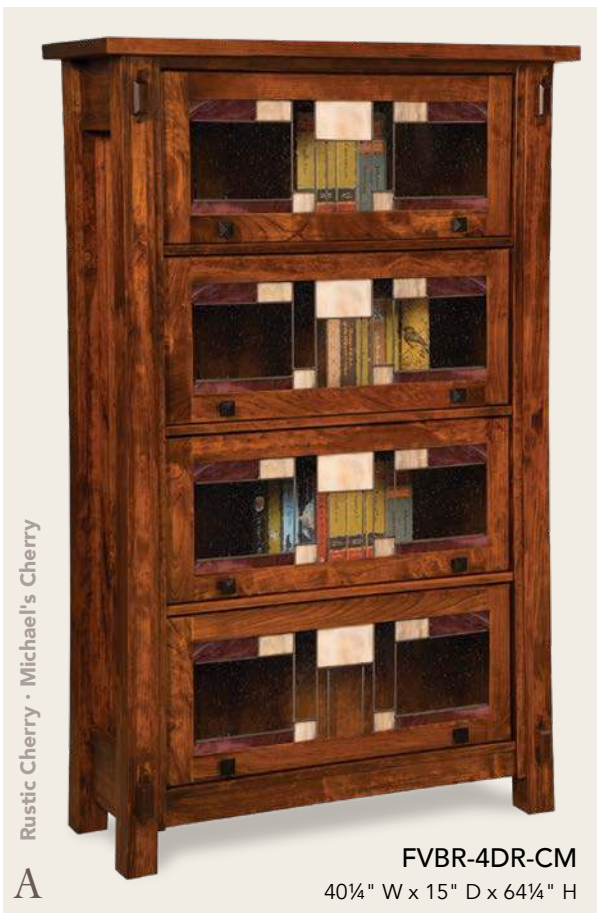
Arts & Crafts | Clear water glass enhanced with mission caramel and green accent pieces. **LGAC**



Tulip | Water glass enhanced with mission caramel and green tulip design & beveled glass. **LGTU**



Colbran | Antique glass enhanced with beveled glass, wispy amber, mission caramel and red accent pieces. **LGCB**



Rustic Cherry - Michael's Cherry

A

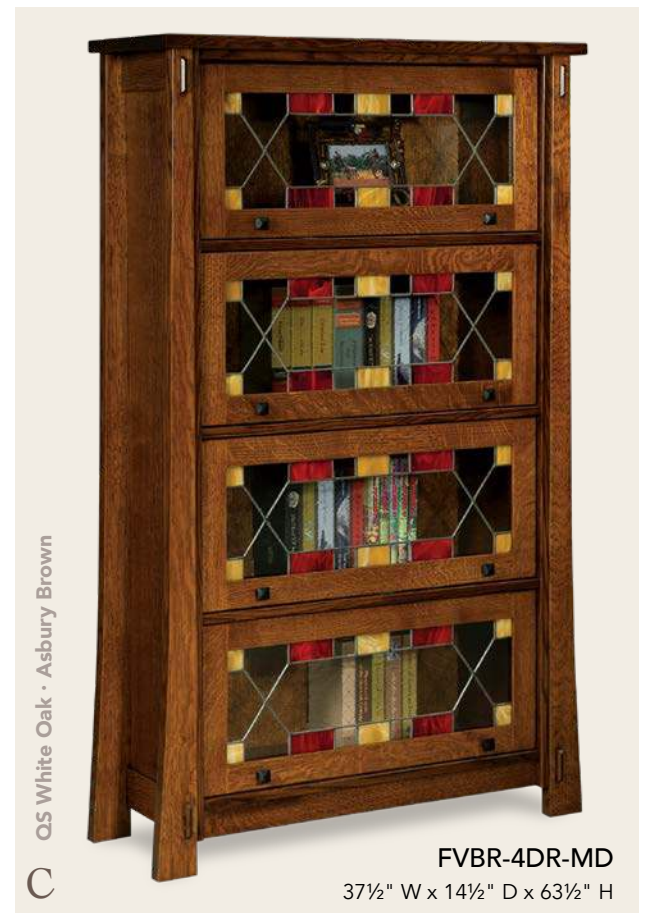
FVBR-4DR-CM
40¾" W x 15" D x 64¼" H



Oak - Mineral

B

FVBR-4DR-LA
40¾" W x 17¼" D x 64" H



QS White Oak - Asbury Brown

C

FVBR-4DR-MD
37½" W x 14½" D x 63½" H

Craftsman LEXINGTON ARC Modesto Barrister Bookcases

Standard Features

A	B	C	
•	•	•	11½" D x 12½" H book area
•	•	•	4 doors, slide smoothly into cabinet on roller glides
•			Leaded glass LGCM
	•		Leaded glass LGTU
		•	Leaded glass LGMD
•			Hardware = 1¼" Black square Stickley Mission knob X-1 (shown)
	•		Hardware = 1" Satin Nickel knob T-1 (shown)
		•	Hardware = 1" Black square knob R (shown)

Optional Features

A	B	C	
•	•	•	Switch leaded glass pattern (no up charge)
•	•	•	Clear, beveled glass
•	•	•	5 door, 3 door, or 2 door (add or deduct 14¼" H for each door)



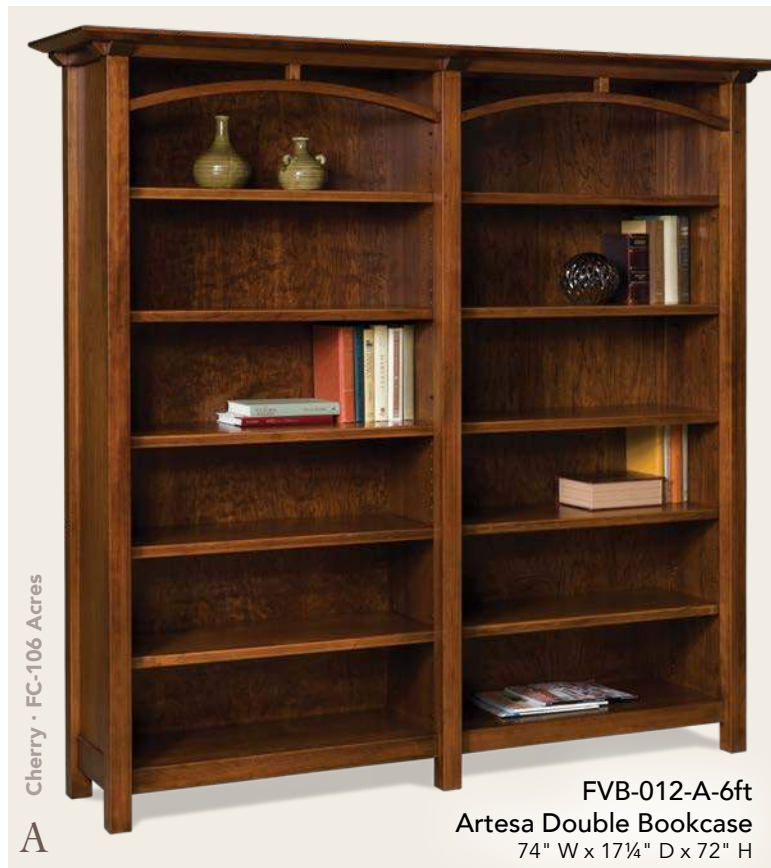
Craftsman | Seedy glass enhanced with champagne and earth wine accent pieces. **LGCM**



Tulip | Water glass enhanced with mission caramel and green tulip design & beveled glass. **LGTU**



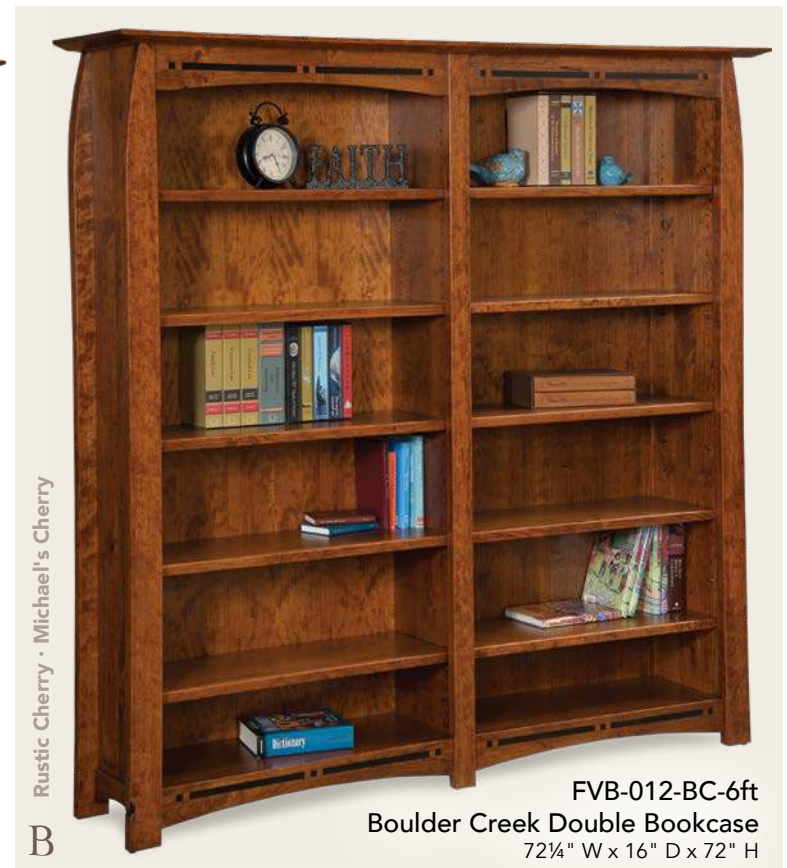
Modesto | Antique glass enhanced with mission caramel and red accent pieces. **LGMD**



Cherry · FC-106 Acres

A

FVB-012-A-6ft
Artesa Double Bookcase
74" W x 17¼" D x 72" H



Rustic Cherry · Michael's Cherry

B

FVB-012-BC-6ft
Boulder Creek Double Bookcase
72¼" W x 16" D x 72" H

Artesa Boulder Creek Bridger Mission Double Bookcases

Standard Features

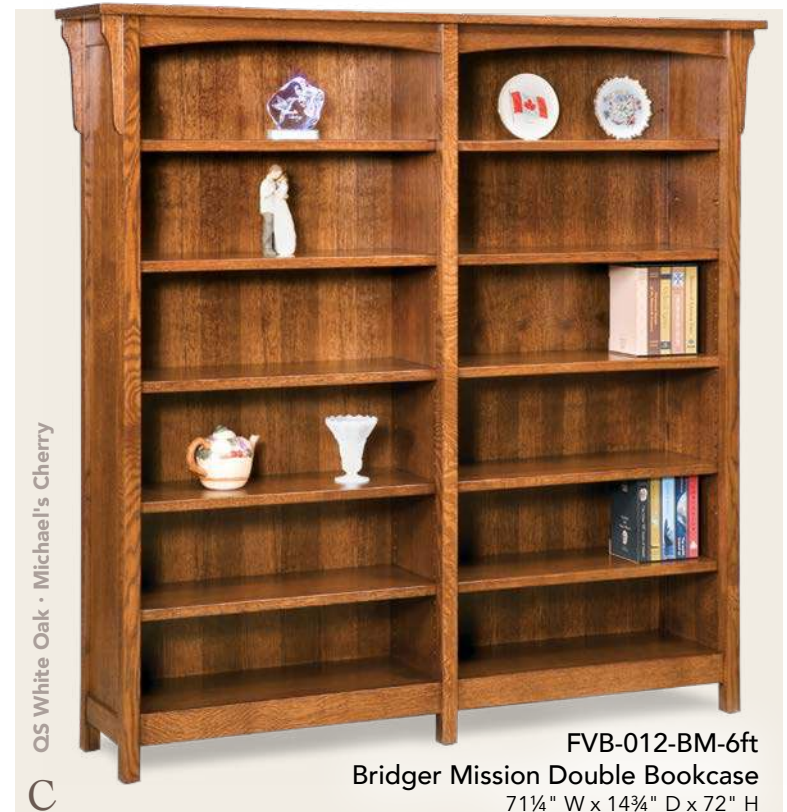
A	B	C	
•	•	•	1 Piece unit
•	•	•	10 Adjustable shelves, 2 with plate groove
•	•	•	Shelves are 11½" deep

Optional Features

A	B	C	
		•	Glass doors with mullion



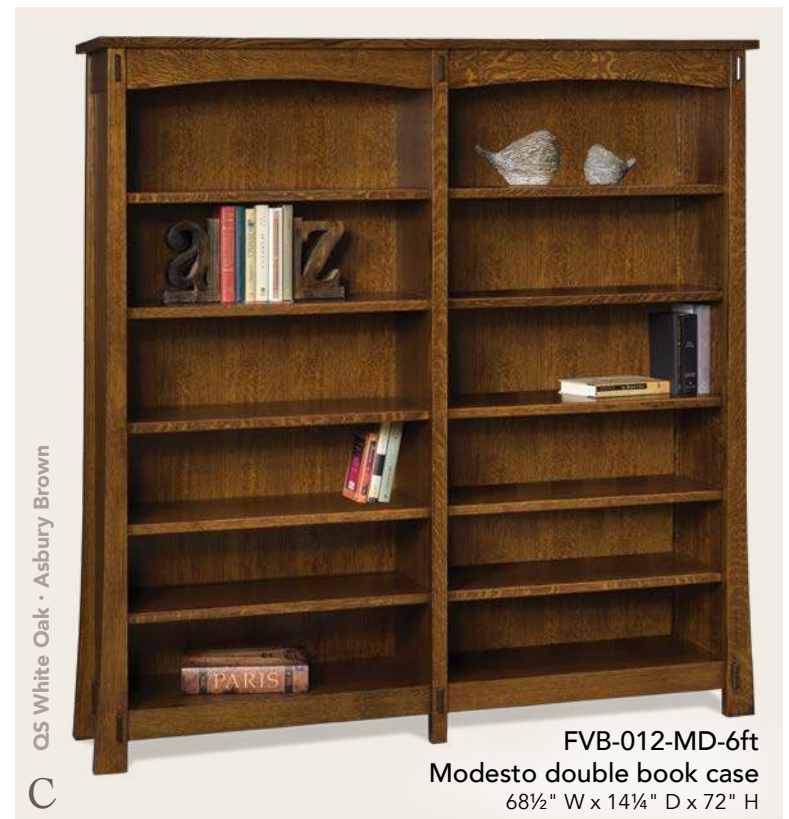
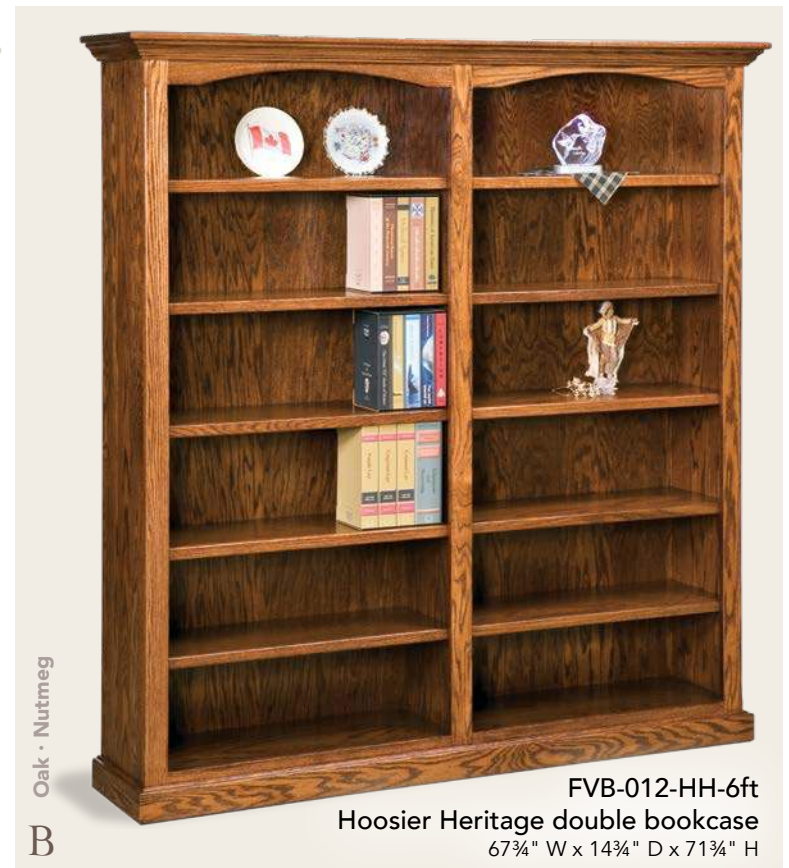
Optional Glass Doors



OS White Oak · Michael's Cherry

C

FVB-012-BM-6ft
Bridger Mission Double Bookcase
71¼" W x 14¾" D x 72" H



Ensenada Hoosier Heritage Modesto

Double Bookcases

Standard Features

A	B	C	
•	•	•	1 Piece unit
•	•	•	10 Adjustable shelves, 2 with plate groove
•	•	•	Shelves are 11 $\frac{1}{2}$ " deep

Optional Features

A	B	C	
	•	•	Glass doors with mullion



Optional Glass Doors

Classic Hoosier Heritage Mission Old Classic Sleigh Stereo Cabinets

Standard Features

A	B	C	D	E	F	
•	•	•	•	•	•	Soft close (concealed hinge) doors
•	•	•	•	•	•	Smoked glass
•						5 Adjustable shelves
	•	•				4 Adjustable shelves
			•	•	•	3 Adjustable shelves
•			•			Hardware = 1¾" Low profile round wood knob C-2 (shown)
	•				•	Hardware = 1¼" Square pyramid wood knob B-1 (shown)
		•		•		Hardware = 1¼", 1½" round wood knob A-1 , A-2 (shown)



OS White Oak • Golden Brown

A

FVE-026-OCS
Old Classic Sleigh
stereo cabinet
24¼" W x 20¼" D x 60¾" H



Oak • Medium Walnut

B

FVE-026-M
Mission stereo cabinet
26¾" W x 17¾" D x 48¾" H



Oak • Light Walnut

C

FVE-026-C
Classic stereo cabinet
27¼" W x 18" D x 45¾" H



OS White Oak • Michael's Cherry

D

FVE-027-OCS
Old Classic Sleigh
stereo cabinet
24¼" W x 20¼" D x 61" H



Oak • Light Walnut

E

FVE-027-HH
Hoosier Heritage
stereo cabinet
26½" W x 19" D x 60" H



Oak • Medium Walnut

F

FVE-027-M
Mission stereo cabinet
24½" W x 18" D x 60" H

See page 209 for dimensional details.

FORKS VALLEY WOODWORKING *Better Because ...*

STANDARDS



Dimmable LED strip lighting in work area and open shelf area is standard on all hutch tops



7872L & 7878L desk tops have mitered corners with tenon fit joints and cam latches



1" Thick solid wood pullout work space 14" W x 17" D (one each side)



All wood file rails built into drawer box



5/8" Thick dovetailed, full extension functional drawers



Leg Levelers on all legs for easy installation



Each drawer comes with 2 sets of universal clip-on hanging file rails on all **FVL-2144s**

OPTIONS



Pop-up power station; 2 outlets and 2 USBs **TV 2802**



Add lock to any drawer, single or gang locks **LK**



2" Wooden grommets in any desk top (specify location) **WG**



Add 5" to kneehole width, this adds 5" to overall desk width (standard kneehole is 24½" W x 25" H) **5" WKH**



Add surface-mounted power station to any desk, 3 outlets & 2 USB – **TVSP3802-F**



Add power supply (5 outlets) mounted on a wooden platform, on the back panel, 12" underneath the top; must specify location **Dock-5-BK**



Pop-up power supply; 2 outlets and 2 USBs **Dock-702-BK**



Keyboard pullout drawer on any desk with black non/slip mat 21" W x 15" D x 2½" H – **KBPD**



Organizer tray in pencil drawer **OTPD**



Double USB port charging station with black non/slip mat inside pencil drawer on any desk – **USBPD**

Home Office & Business Furnishings

Unmatched comfort, maximum functionality, heirloom-quality construction, natural hardwood grains enriched by a choice of fine finishes and artisan styling true to the Mission, Arts & Crafts or Modern designs perfected by traditional woodworkers...this is office furniture the Forks Valley way ... your way.

OPTIONS



Spiral cable guide for any writer's desk
631.20.310



Wireless phone charger (Qi compliant) **Dock 950**



Blum soft close undermount slides on drawers



Black (**BLK-LWP**) or Brown (**BRWN-LWP**) leather writing pad 15" x 23"



Electric lift mechanism (made in USA) for desktop. Top lifts from 31" H to 49" H. 200lb. weight capacity. Adds 6" to width (in kneehole area) and keyboard pullout tray. Available on FVD-2849, FVD-2865, FVD-3365, FVD-3367, or FVD-3370 desks; add code **S/S** after standard product code.



1 1/4" thick Live Edge top on any office piece; add code **LET** after standard product code.

Artesa

OFFICE COLLECTION

Looking at the Artesa office, you might think it is simply striking...and it is...but it is so much more. Writing pullouts, deep file drawers, an optional keyboard drawer and thoughtfully planned storage space all work together to add organization and efficiency to your personal work environment.

DESKS, HUTCHES &
FILE CABINETS



Artesa Hutch & Desks

Standard Features

A	B	C	D	E
•	•	•	•	•
•	•	•	•	•
•	•	•	•	•
•	•	•	•	•
•	•		•	•
•				
•				
•				
•	•	•	•	•

- Solid, 4-sided tapered legs
- Kneehole 24½" W, with pencil drawer
- 1 File drawer, each side
- Pullout above drawers, each side
- Unfinished back
- Finished back
- Soft close (concealed hinge) doors
- Dimmable LED touch lighting
- 2 Adj. shelves behind right door, 1 behind left door
- Adjustable glass shelf in center
- Hardware = Wrought Iron knob and drawer pull **P-1, P-2** (shown)

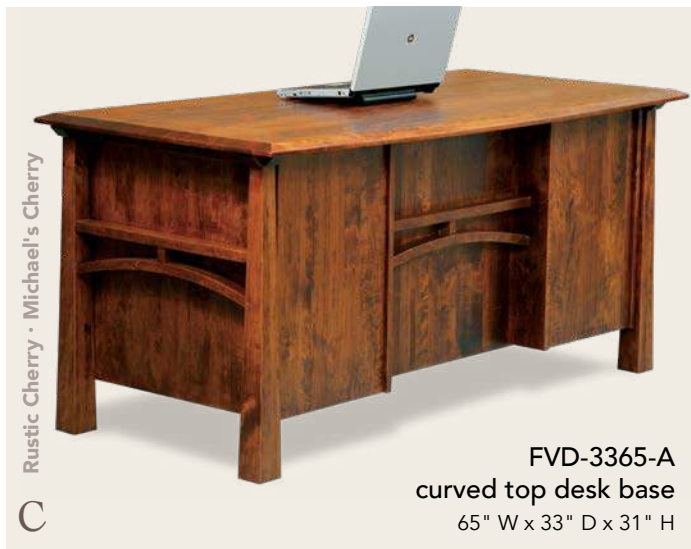
See page 210 for dimensional details.



Rustic Cherry · Michael's Cherry

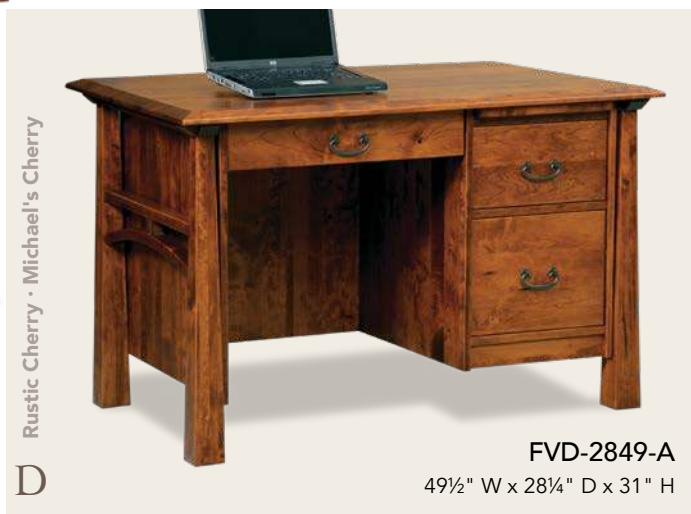
A FVD-2865-HT-A
2pc hutch & desk base
65" W x 28¼" D x 81" H

B FVD-2865-A · desk base
65" W x 28¼" D x 31" H



Rustic Cherry · Michael's Cherry

C FVD-3365-A
curved top desk base
65" W x 33" D x 31" H



Rustic Cherry · Michael's Cherry

D FVD-2849-A
49½" W x 28¼" D x 31" H

Optional Features

A	B	C	D	E
•	•	•	•	
			•	

- Split top drawer into 2 smaller drawers
- Finished back

See complete options list on pgs 146-147



Rustic Cherry · Michael's Cherry

E FVD-2654-A · Writer's desk
54" W x 26" D x 31" H

Artesa Desk

Standard Features

- Kneehole 30½" W, with keyboard pull-out drawer
- Solid, 4-sided tapered legs
- Finished back side
- 1 File drawer, each side
- Electric lift mechanism (made in the USA) for desk top – top lifts from 31" H - 49" H; 200lb. weight capacity on lift
- Hardware = Wrought Iron drawer pull **P-2** (shown)

Optional Features

- Height switch with 4 programmable settings for lift mechanism
630.44.981

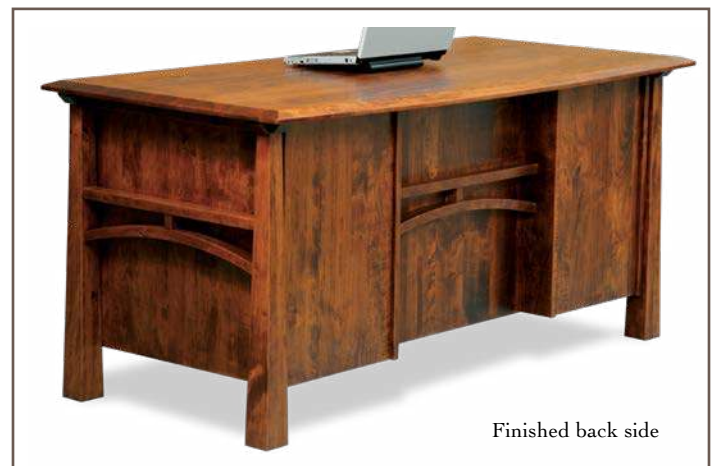


Optional height switch for lift mechanism
630.44.981

Rustic Cherry · Michael's Cherry



FVD-3371-A-S/S
sit-to-stand curved top desk
71" W x 33" D x 31" - 49" H



Finished back side

Artesa Hutch & L Desks

Standard Features

A	B	C	
•	•	•	Top has mitered corners
•	•	•	Solid, 4-sided tapered legs
•	•	•	Keyboard pull-out drawer on left; pencil drawer on right
•	•	•	Pullout above drawers, each side
•	•	•	1 File drawer, each side
•	•	•	Kneehole 30½" W, each side
•	•	•	Unfinished back (left side), finished back (right side)
•	•	•	Finished back
•	•	•	Grommet in top (hutch side)
•	•	•	Soft close (concealed hinge) doors
•	•	•	Dimmable LED touch lighting (warm white) in work area and open shelf area
•	•	•	1 Adj. shelf behind small doors, 2 behind large door on right
•	•	•	Adjustable glass shelf in center
•	•	•	Work area = 47¼" W x 13" D x 22" H
•	•	•	Hardware = 1" Wrought Iron knob and drawer pull P-1, P-2 (shown)

Optional Features

A	B	C	
•	•	•	Reverse sides (no up charge)
•	•	•	Split top drawer into 2 smaller drawers
•	•	•	Finished back side on left side of desk
•	•	•	Unfinished back

See complete options list on pgs 146-147

See page 211 for dimensional details.



Finished back side



Rustic Cherry · Michael's Cherry

A

FVD-7878L-HT-A · 3pc desk base & hutch

desk: 78" W (left & right side) x 30" D x 31" H

hutch: 73½" W x 18½" D x 50" H



Rustic Cherry · Michael's Cherry

B

FVD-7878L-A · 2pc L desk

78" W (left & right side) x 30" D x 31" H



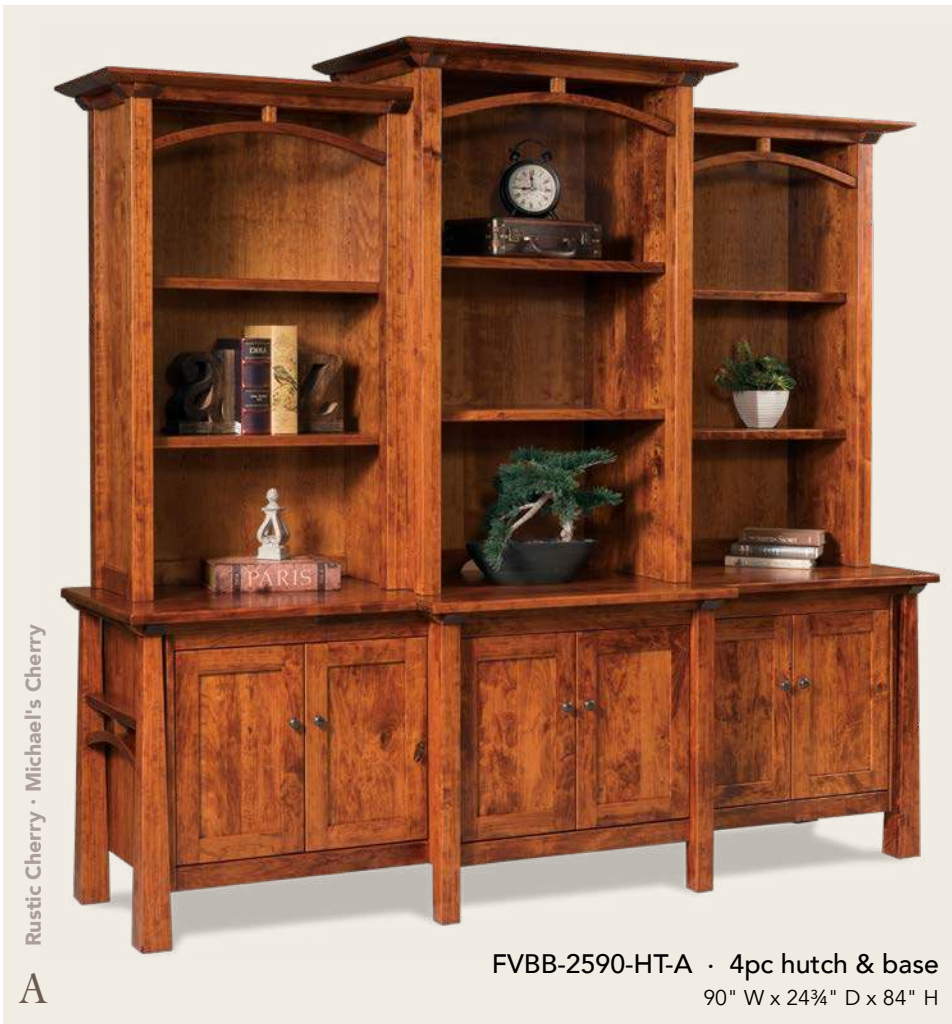
Rustic Cherry · Michael's Cherry

C

FVD-7872L-A

2pc L desk

78" W (left side) | 72" W (right side) x 30" D x 31" H



Rustic Cherry · Michael's Cherry

A

FVBB-2590-HT-A · 4pc hutch & base
90" W x 24¾" D x 84" H



Rustic Cherry · Michael's Cherry

B

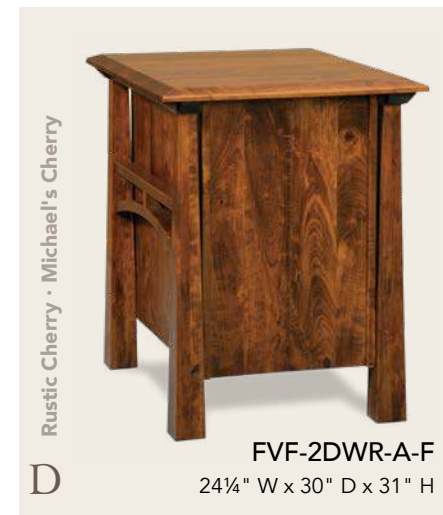
FVBB-2590-A
1pc base
90" W x 24¾" D x 31" H



Rustic Cherry · Michael's Cherry

C

FVF-2DWR-A
24¼" W x 28¾" D x 31" H



Rustic Cherry · Michael's Cherry

D

FVF-2DWR-A-F
24¼" W x 30" D x 31" H

Artesa

4pc Backbar, Base & File Cabinets

See complete options list on pgs 146-147
See page 214 for dimensional details.

Standard Features

A	B	C	D	
•	•	•	•	Solid, 4-sided tapered legs
•	•	•		Unfinished back
			•	Finished back
•				2 Adj. shelves in each section of hutch
•	•			1 Adj. shelf behind each door
•	•			Soft close (concealed hinge) doors
•				Hutch is 3 pcs, bolted together
			•	2 Std. file drawers
•	•			Hardware = 1" Wrought Iron knob P-1 (shown)
		•	•	Hardware = Wrought Iron drawer pull P-2 (shown)

Also available:

FVF-3DWR-A
3 Drawer File Cabinet, 46" H

FVF-3DWR-A-F
3 Drawer File Cabinet
with Finished Back, 46" H

FVF-4DWR-A
4 Drawer File Cabinet, 58½" H

FVF-4DWR-A-F
4 Drawer File Cabinet
with Finished Back, 58½" H



Rustic Cherry - Michael's Cherry

A

FVL-2144-HT-A

43 $\frac{5}{8}$ " W x 20 $\frac{3}{4}$ " D x 81" H



Rustic Cherry - Michael's Cherry

B

FVL-2144-A

43 $\frac{5}{8}$ " W x 20 $\frac{3}{4}$ " D x 36" H



Rustic Cherry - Michael's Cherry

C

FVLC-063-A

63" W x 19 $\frac{3}{4}$ " D x 36" H

Artesa

2pc Lateral File Cabinet with Hutch & Lateral File Credenza

Standard Features

A	B	C	
•	•	•	2 Lateral file drawers
•	•		2 Sets of clip-on, universal hanging file rails per drawer
•			2 Piece unit
•			2 Adj. shelves in hutch area, 11 $\frac{1}{2}$ " deep
		•	Soft close (concealed hinge) doors
		•	1 Adj. shelf behind doors
•	•	•	Hardware = Wrought Iron knob and drawer pull P-1 , P-2 (shown)

Optional Features

A	B	C	
•	•		Blum, soft close undermount drawers – cabinet needs to be 2" deeper, additional charge

See complete options list on pgs 146-147

Standard with 2 sets of universal clip-on hanging file rails



Boulder Creek

OFFICE COLLECTION

Gently curved legs, ebony inlays, and arched skirts distinguish the Boulder Creek collection. This contemporary look adds a touch of warmth and classic style to any office. Hand made by skilled Amish craftsmen, Boulder Creek furniture is available in a choice of sustainably harvested hardwoods.




Boulder Creek Desks

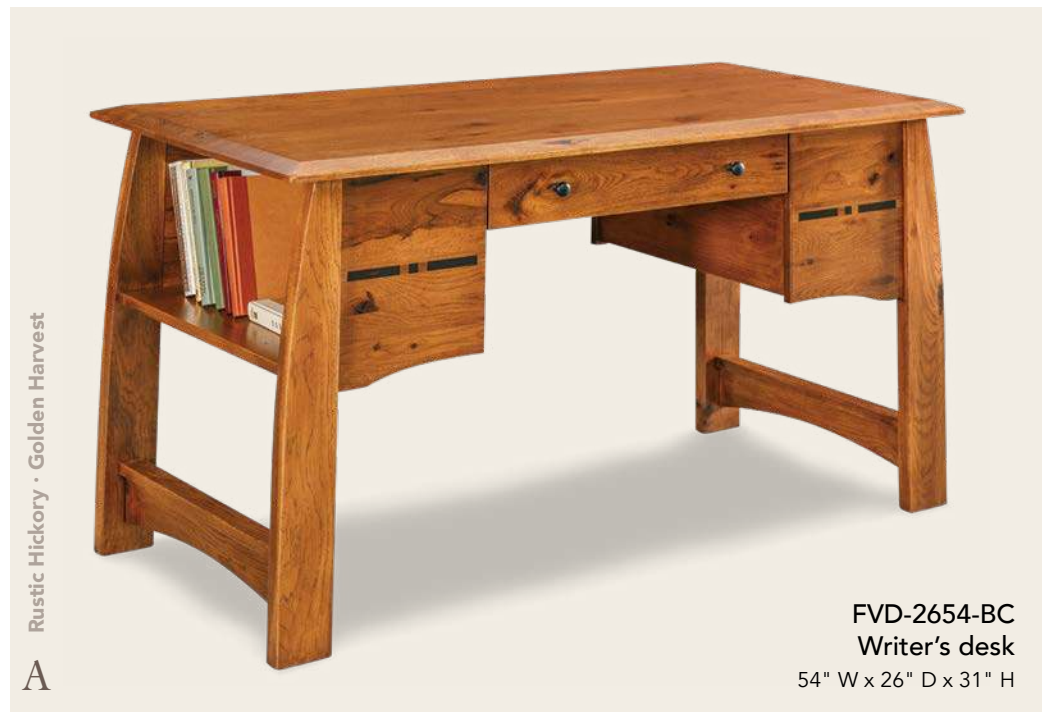
Standard Features

A	B
•	• Kneehole 24½" W, with pencil drawer
•	• Ebony inlays
•	• Curved, reversed panel sides
•	• Finished back side
•	• Unfinished back
•	• Pullout above drawers, each side
•	• 1 File drawer, each side
•	• 4" deep drawers with drawer stop (prevents drawers from falling out)
•	• Top slots = 4½" W x 9¾" D x 5" H; Side slots = 11½" W x 9¾" D x 4¼" H; all dividers removable
•	• Hardware = 1" Black knob U (shown)

Optional Features

A	B
•	• Hardware = O-1 (no up charge) 
•	• Omit inlays (no up charge)

See complete options list on pgs 146-147



FVD-2654-BC
Writer's desk
54" W x 26" D x 31" H




FVD-2865-DT-BC
Desk: 65" W x 27½" D x 31" H
Topper: 55" W x 12" D x 17" H

Boulder Creek Desk

Standard Features

- Kneehole 30½" W, with keyboard pull-out drawer
- Ebony inlays
- Curved, reversed panel sides
- Finished back side
- 1 File drawer, each side
- Electric lift mechanism (made in the USA) for desk top – top lifts from 31" H - 49" H; 200lb. weight capacity on lift
- Hardware = 1" Black knob **U** (shown)

Optional Features

- Height switch with 4 programmable settings for lift mechanism **630.44.981**
- Hardware = **O-1** (no up charge) 
- Omit inlays (no up charge)

See complete options list on pgs 146-147



Optional height switch for lift mechanism **630.44.981**



Rustic Hickory • Golden Harvest

FVD-3371-BC-S/S
sit-to-stand curved top desk
71" W x 33" D x 31" - 49" H



Finished back side



QS White Oak · Golden Brown

A FVD-2865-HT-BC
2pc hutch & desk base
65" W x 27½" D x 79¾" H



Rustic Hickory · Golden Harvest

C

Finished back side

FVD-3365-BC
curved top desk base
65" W x 33" D x 31" H



QS White Oak · Golden Brown

D


FVD-2849-BC
49" W x 27½" D x 31" H

Boulder Creek Hutch & Desks

Standard Features

A	B	C	D	
•	•	•	•	Ebony inlays
•	•	•	•	Curved, solid reversed-panel sides
•	•	•	•	Kneehole 24½" W, with pencil drawer
•	•	•	•	1 File drawer, each side
•	•	•	•	Pullout above drawers, each side
•	•		•	Unfinished back
		•		Finished back
•				Soft close (concealed hinge) doors
•				Dimmable LED touch lighting
•				2 Adj. shelves behind each door
•				Adjustable glass shelf in center
•	•	•	•	Hardware = 1" Black knob U (shown)

Optional Features

A	B	C	D	
•	•	•	•	Omit inlays (no up charge)
			•	Finished back
•	•	•	•	Hardware = O-1  (no up charge)

See complete options list on pgs 146-147

See page 210 for dimensional details.

Oak · Vintage Antique

A



Finished back side



FVD-6660L-BC

66" W (left side) | 60" W (right side)
26" D (left side) | 20" D (right side) x 31" H

Rustic Hickory · FC-809 Golden Harvest

B



Finished back side



FVD-7872L-BC

78" W (left side)
72" W (right side)
30" D x 31" H

Boulder Creek

L Desks


Standard Features

A	B
•	•
•	•
•	•
•	•
•	•
•	•
•	•
•	•
•	•
•	•
•	•

- Ebony inlays
- Curved, reversed panel sides
- Keyboard pull-out drawer on left; pencil drawer on right
- Finished back
- File drawer on left side
- Top has mitered corners
- Pullout above drawers, each side
- 1 File drawer, each side
- Hardware = 1" Black knob **U** (shown)

Optional Features

A	B
•	•
•	•
•	•
•	•
•	•

- Omit inlays (no up charge)
- Reversed sides (no up charge)
- Unfinished back
- Hardware = **O-1** (no up charge) 

See complete options list on pgs 146-147


See page 211 for dimensional details.

Boulder Creek L Desk

Standard Features

- Ebony inlays
- Curved, reversed panel sides
- Kneehole 30½" W on left side, 34½" W on right side
- Keyboard pull-out drawer on right; pencil drawer on left
- Finished back on right, unfinished back on left
- Grommet in top, on right side
- 1 File drawer, each side
- Pullout above drawers on left side
- Electric lift mechanism (made in the USA) for desk top – top lifts from 31" H - 49" H; 200lb. weight capacity on lift
- Hardware = 1" Black knob **U** (shown)

Optional Features

- Omit inlays (no up charge)
- Height switch with 4 programmable settings for lift mechanism **630.44.981**
- Reversed sides (no up charge)
- Finished back on left side
- Hardware = **O-1**  (no up charge)

See complete options list on pgs 146-147



Optional height switch for lift mechanism
630.44.981

See page 210 for dimensional details.



Rustic Cherry · Vintage Antique

FVD-7882L-BC-S/S
2 pc sit-to-stand L desk
78" W (left side) | 82" W (right side)
30" D x 31" - 49" H



Finished back side

Boulder Creek Hutch & L Desk

Standard Features


A	B
•	•
•	•
•	•
•	•
•	•
•	•
•	•
•	•
•	•
•	•
•	•
•	•
•	•
•	•
•	•
•	•
•	•
•	•
•	•
•	•
•	•
•	•
•	•
•	•
•	•
•	•
•	•
•	•
•	•

- Ebony inlays
- Curved, reversed panel sides
- Kneehole 30½" W, each side
- Keyboard pull-out drawer on left; pencil drawer on right
- Pullout above drawers, each side
- 1 File drawer, each side
- Unfinished back (left side), finished back (right side)
- Grommet in top (hutch side)
- Soft close (concealed hinge) doors
- Dimmable LED touch lighting (warm white) in work area and open shelf area
- 1 Adj. shelf behind small doors, 2 behind large door on right
- Adjustable glass shelf in center
- Work area = 47¼" W x 13" D x 22" H
- Hardware = 1" Black round knob **U** (shown)



Optional Features

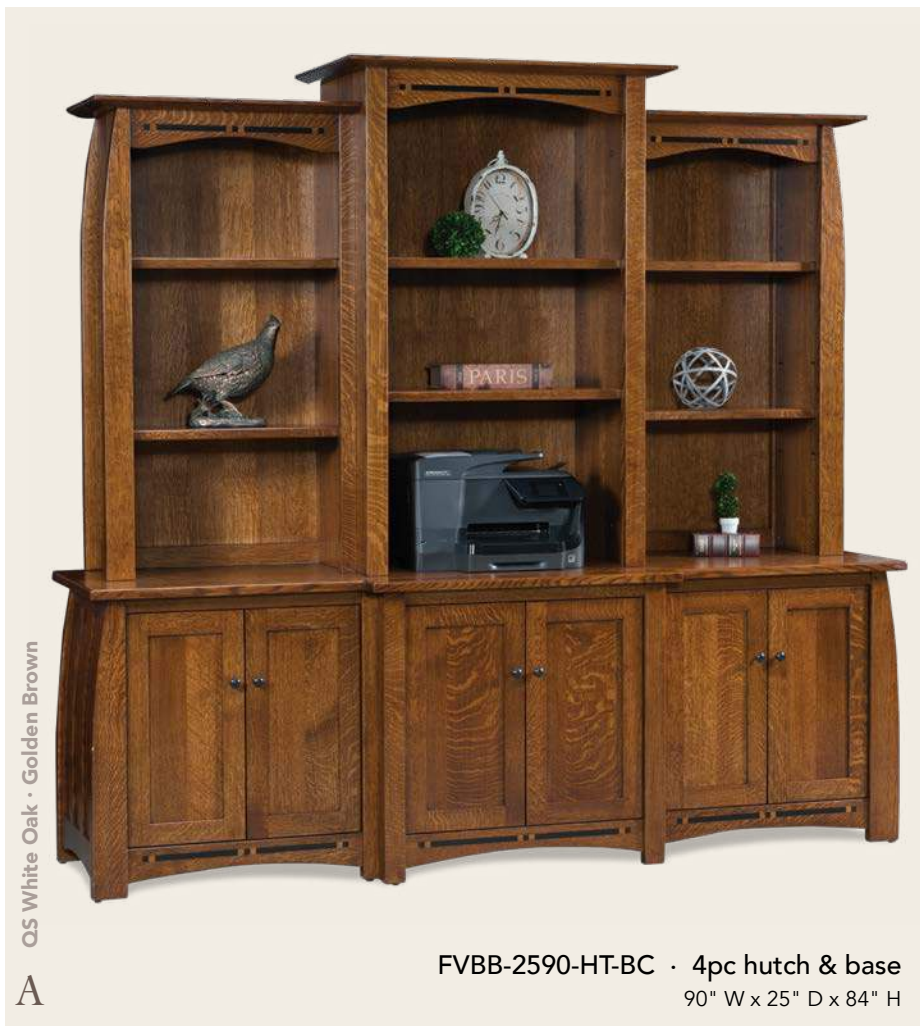
A	B
•	•
•	•
•	•
•	•
•	•

- Omit inlays (no up charge)
- Reverse sides (no up charge)
- Finished back side on left side of desk
- Hardware = **O-1** (no up charge) 

See complete options list on pgs 146-147

See page 211 for dimensional details.





OS White Oak · Golden Brown
A

FVBB-2590-HT-BC · 4pc hutch & base
90" W x 25" D x 84" H



OS White Oak · Golden Brown
B

FVBB-2590-BC
1pc base
90" W x 25" D x 31" H



OS White Oak · Golden Brown
C

FVF-2DWR-BC
23" W x 28" D x 31" H



OS White Oak · Golden Brown
D


FVF-2DWR-BC-F
23" W x 30" D x 31" H

Boulder Creek

4pc Backbar & File Cabinets

Optional Features

A	B	C	D
•	•	•	•
•	•	•	•

Omit inlays (no up charge)
Hardware = **O-1** 
(no up charge)

See complete options list on pgs 146-147

Standard Features

A	B	C	D
•	•	•	•
•	•	•	•
•	•	•	•
•	•	•	•
•	•	•	•
•	•	•	•
•	•	•	•
•	•	•	•
•	•	•	•

- Ebony inlays and curved, solid reversed panel sides
- 2 Std. file drawers
- Unfinished back
- Finished back
- 1 Adj. shelf behind each door
- Soft close (concealed hinge) doors
- Hutch is 3 pcs, bolted together
- 2 Adj. shelves in each section of hutch
- Hardware = 1" Black knob **U** (shown)

Also available:

- FVF-3DWR-BC
3 Drawer File Cabinet, 43¾" H
- FVF-3DWR-BC-F
3 Drawer File Cabinet with Finished Back, 43¾" H
- FVF-4DWR-BC
4 Drawer File Cabinet, 56¼" H
- FVF-4DWR-BC-F
4 Drawer File Cabinet with Finished Back, 56¼" H

See page 214 for dimensional details.




Boulder Creek

2pc Lateral File Cabinet with Hutch & Lateral File Credenza

Standard Features

A	B	C	
•	•	•	2 Lateral file drawers
•	•	•	Ebony inlays
•	•		2 Sets of clip-on, universal hanging file rails per drawer
•			2 Piece unit
•			2 Adj. shelves in hutch area, 11½" deep
		•	Soft close (concealed hinge) doors
		•	1 Adj. shelf behind doors
•	•	•	Hardware = 1" Black knob U (shown)

Optional Features

A	B	C	
•	•	•	Omit inlays (no up charge)
•	•		Blum, soft close undermount drawers – cabinet needs to be 2" deeper, additional charge
		•	Change to 36" tall; add 36" behind code
•	•	•	Hardware = O-1 (no up charge) 

See complete options list on pgs 146-147



Bridger Mission Desks

Standard Features

A	B	
•	•	Kneehole 24½" W, with pencil drawer
•	•	Finished back
•	•	Pullout above drawer bank
•	•	Finished back
•	•	2 Drawers on right side
•	•	File drawer on left side (looks like double drawers)
•	•	Hardware = Black Stickley Mission drawer pull X-2 (shown)

Optional Features

See complete options list on pgs 146-147



Standard pullouts above drawer banks

CENTENNIAL Hutch & L Desk

Standard Features

- | A | B | |
|---|---|--|
| • | • | Kneehole 28½" W, each side |
| • | • | Keyboard pull-out drawer on left; pencil drawer on right |
| • | • | Pullout above drawers, each side |
| • | • | 1 File drawer, each side |
| • | • | Unfinished back (left side), finished back (right side) |
| • | • | Grommet in top (hutch side) |
| • | • | Soft close (concealed hinge) doors |
| • | • | Dimmable LED touch lighting (warm white) in work area |
| • | • | 1 Adj. shelf behind small doors, |
| • | • | Work area = 62½" W x 12¼" D x 18" H |
| • | • | Hardware = 1" Black square knob R (shown) |

Optional Features

- | A | B | |
|---|---|---|
| • | • | Reverse sides (no up charge) |
| • | • | Finished back side on left side of desk |

See complete options list
on pgs 146-147

See page 212 for dimensional details.



Oak · Vintage Antique

A

FVD-7272L-HT-CN · 3pc desk base & hutch

desk: 72" W (left & right side) x 26" D x 31" H

hutch: 68" W x 14" D x 41" H



Oak · Vintage Antique

B

FVD-7272L-CN · 2pc desk base

72" W (left & right side) x 26" D x 31" H

Colbran

OFFICE COLLECTION

Dream. Plan. Communicate with the chaotic outside world.
Inside, you'll be working in a grounded, stress-free environment
when you add Colbran furniture to your home or office.





QS White Oak · Michael's Cherry

A

FVD-2865-CB
67" W x 28¼" D x 31" H



QS White Oak · Michael's Cherry

B

FVD-3365-CB
curved top desk base
67" W x 33" D x 31" H



QS White Oak · Michael's Cherry

C

FVD-2849-CB
50¾" W x 28¼" D x 31" H



QS White Oak · Michael's Cherry

D

FVF-2DWR-CB
24¼" W x 28¼" D x 31" H



QS White Oak · Michael's Cherry

E

FVF-2DWR-CB-F
24¼" W x 30" D x 31" H

Colbran Desks & Filing Cabinets

Optional Features

A	B	C	D	E
•	•	•		
		•		

Split top drawer into
2 smaller drawers
Finished back

See complete options list on pgs 146-147

Standard Features

A	B	C	D	E	
•	•	•	•	•	Solid tapered sides
•	•	•			Kneehole 24½" W, with pencil drawer
•	•	•			1 File drawer, each side
			•	•	2 Std. file drawers
•	•	•			Pullout above drawers, each side
•		•	•		Unfinished back
		•		•	Finished back
		•			Curved top
•	•	•	•	•	Hardware = 1" Black square knob R (shown)

Also available:

- FVF-3DWR-CB**
3 Drawer File Cabinet, 44¼" H
- FVF-3DWR-CB-F**
3 Drawer File Cabinet
with Finished Back, 44¼" H
- FVF-4DWR-CB**
4 Drawer File Cabinet, 57¼" H
- FVF-4DWR-CB-F**
4 Drawer File Cabinet
with Finished Back, 57¼" H
- FVL-2144-CB**
2 Drawer Lateral File Cabinet
44" W x 20¾" D x 31" H

Craftsman Desk

Standard Features

- 1" solid top
- Pencil drawer
- Finished back side
- Electric lift mechanism (made in the USA) for desk top – top lifts from 31" H - 49" H; 200lb. weight capacity on lift
- Hardware = Black Stickley Mission drawer pull **X-2** (shown)

Optional Features

- Available as writer's desk without lift, **FVD-2654-CM**
- Height switch with 4 programmable settings for lift mechanism **630.44.981**

See complete options list
on pgs 146-147



Oak • Mineral

FVD-2654-CM-S/S
Craftsman Electric Sit-to-Stand
Writer's Desk
54" W x 26" D x 28"-46" H



Optional height switch for lift mechanism
630.44.981



Optional power station on back of desk
TVSP3802-F



Standard height switch

Craftsman Desks

Standard Features

A	B
•	•
•	•
•	•
•	•
•	•
•	•
•	•
•	•
•	•
•	•
•	•

- 1" Solid top
- Pencil drawer in center
- 1 Pencil drawer each side
- Finished back
- 28" W x 24" D lift-up top;
40" H in up position
- Storage compartment (17" W x 16" d x 5" H)
in place of pencil drawer in middle
- Hardware = Black Stickley Mission drawer pull
X-2 (shown)

Optional Features

A	B
•	•
•	•

- Omit tenons (no up charge)

See complete options list on pgs 146-147



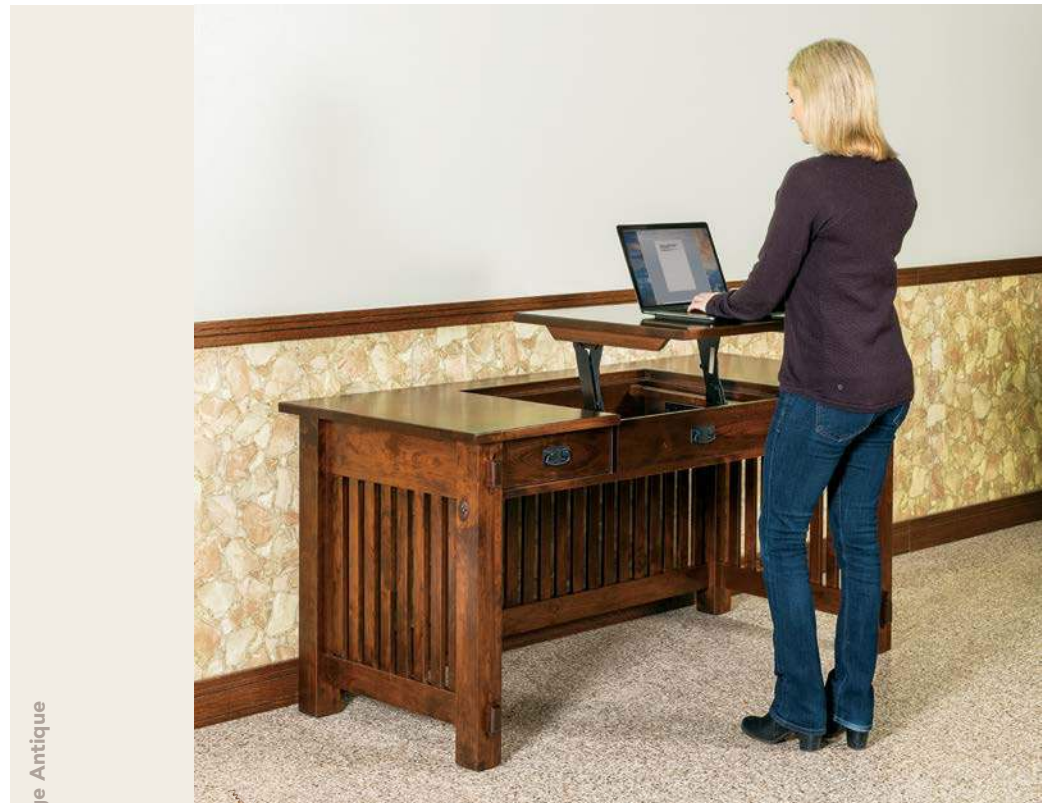
Standard storage compartment in place of pencil drawer in middle (Sit-to-Stand only)



Finished back side

Rustic Cherry · Michael's Cherry
A

FVD-3065-CM
writer's desk
65" W x 30" D x 31" H



Rustic Cherry · Vintage Antique
B



FVD-3065-CM-S/S
sit-to-stand desk
65" W x 30" D x 31" H

Ensenada

OFFICE COLLECTION

Whether catching up on household finances or working on a big project with a tight deadline, Ensenada office furniture, with its clean, graceful lines, inspires relaxed productivity.





Ensenada Desks

Standard Features

A	B	C	D	
●	●	●	●	Pencil drawer
●	●	●	●	1" Solid top
●	●	●	●	Beveled edge on legs
	●	●	●	Kneehole 24½" W
	●	●	●	1 File drawer, each side
	●	●	●	Pullout above drawers, each side
	●		●	Unfinished back
●		●		Finished back
		●		Curved top
●	●	●	●	Hardware = Satin Nickel drawer pull T-2 (shown)

Optional Features

A	B	C	D	
			●	Finished back
	●	●	●	Split top drawer into 2 smaller drawers
●	●	●	●	Hardware = 1-B (no up charge)

See complete options list on pgs 146-147

Ensenada Hutch & L Desk

Standard Features

A	B	C	
•	•		Kneehole 30½" W, each side
•	•	•	Keyboard pull-out drawer on left; pencil drawer on right
•	•		Pullout above drawers, each side
•	•		1 File drawer, each side
		•	1 File drawer, left side
•	•		Unfinished back (left side), finished back (right side)
		•	Finished back
•	•		Grommet in top (hutch side)
•			Soft close (concealed hinge) doors
•			Dimmable LED touch lighting (warm white) in work area and open shelf area
•			1 Adj. shelf behind small doors, 2 behind large door on right
•			Adjustable glass shelf in center
•			Work area = 47¼" W x 13" D x 22" H
•	•	•	Hardware = 1" Satin Nickel knob and drawer pull T-1, T-2 (shown)

Optional Features

A	B	C	
•	•	•	Reverse sides (no up charge)
•	•	•	Split top drawers into 2 small drawers
		•	Finished back side on left side of desk
•	•	•	Hardware = 1-A, 1-B (no up charge)

See complete options list on pgs 146-147



Finished back side

See page 211 for dimensional details.



A Sap Cherry · Asbury

FVD-7878L-HT-EN
3pc desk base & hutch
desk: 78" W (left & right side) x 30" D x 31" H
hutch: 74½" W x 16" D x 48¾" H



B Sap Cherry · Asbury

FVD-7878L-EN
2pc desk base
78" W (left & right side) x 30" D x 31" H



C Oak · Vintage Antique

FVD-6660L-EN
2pc L desk
66" W (left side) | 60" W (right side)
26" D (left side) | 20" D (right side) x 31" H


Ensenada

File Cabinets & Lateral File Credenzas

Standard Features

A	B	C	D	
•	•	•	•	Beveled edge on legs
•		•	•	Unfinished back
	•			Finished back
•	•			2 Std. file drawers
		•	•	2 Lateral file drawers
			•	Soft close (concealed hinge) doors
			•	1 Adj. shelf behind doors
•	•	•	•	Hardware = Satin Nickel drawer pull T-2 (shown)

Optional Features

A	B	C	D	
		•		Blum, soft close undermount drawers – cabinet needs to be 2" deeper, additional charge
•	•	•	•	Hardware = 1-B (no up charge) 

See complete options list on pgs 146-147

Also available:

FVF-3DWR-EN

3 Drawer File Cabinet, 44¾" H

FVF-3DWR-EN-F

3 Drawer File Cabinet
with Finished Back, 44¾" H

FVF-4DWR-EN

4 Drawer File Cabinet, 57½" H

FVF-4DWR-EN-F

4 Drawer File Cabinet
with Finished Back, 57½" H





A FVD-2865-HT-GR
2pc hutch & desk base
64¼" W x 28½" D x 79¾" H

B FVD-2865-GR · desk base
64¼" W x 28½" D x 31" H



Rustic Cherry · Michael's Cherry
C

FVD-3365-GR
curved top desk base
64¼" W x 33" D x 31" H



Rustic Cherry · Michael's Cherry
D

FVD-2849-GR
47¾" W x 28½" D x 31" H



Rustic Cherry · Michael's Cherry
E

FVF-2DWR-GR
21" W x 28½" D x 31" H

Grant

Hutch, Desks & Filing Cabinets

Optional Features

A	B	C	D	E	F
			•		

Finished back

See complete options list on pgs 146-147

See page 210 for dimensional details.

Standard Features

A	B	C	D	E	F	
•	•	•	•			Kneehole 24½" W, with pencil drawer
•	•	•	•			1 File drawer, each side
				•	•	2 Std. file drawers
•	•	•	•			Pullout above drawers, each side
•	•		•	•		Unfinished back
		•			•	Finished back
•						Soft close (concealed hinge) doors
•						Dimmable LED touch lighting
•						2 Adj. shelves behind right door, 1 behind left door
•						Adjustable glass shelf in center
•	•	•	•	•	•	Hardware = Black Stickley Mission drawer pull and knob X-1, X-2 (shown)



Rustic Cherry · Michael's Cherry
F

FVF-2DWR-GR-F
21" W x 30" D x 31" H

Grant

Hutch, L Desk & Lateral File Credenza

Standard Features

A	B	C
•	•	Kneehole 30½" W, each side
•	•	Keyboard pull-out drawer on left; pencil drawer on right
•	•	Pullout above drawers, each side
•	•	1 File drawer, each side
	•	2 Lateral file drawers
•	•	Unfinished back (left side), finished back (right side)
•	•	Grommet in top (hutch side)
•	•	Soft close (concealed hinge) doors
•		Dimmable LED touch lighting (warm white) in work area and open shelf area; adjustable glass shelf in center
•		1 Adj. shelf behind small doors, 2 behind large door on right
	•	1 Adj. shelf behind doors
•		Work area = 47¼" W x 13" D x 22" H
•	•	Hardware = 1¼" Black Stickley Mission knob and drawer pull X-1, X-2 (shown)

Optional Features

A	B	C
•	•	•
	•	

Reverse sides (no up charge)
Finished back side on left side of desk

See complete options list on pgs 146-147

See page 211 for dimensional details.



Also available:

FVL-2144-GR
2 Drawer Lateral File Cabinet
40¾" W x 20½" D x 31" H



Grant Desk

Standard Features

- 1" solid top
- Pencil drawer
- Finished back side
- Electric lift mechanism (made in the USA) for desk top – top lifts from 31" H - 49" H; 200lb. weight capacity on lift
- Hardware = Black Stickley Mission drawer pull **X-2** (shown)

Optional Features

- Available as writer's desk without lift, **FVD-2654-GR**
- Height switch with 4 programmable settings for lift mechanism **630.44.981**

See complete options list
on pgs 146-147



FVD-2654-GR-S/S
Grant Electric Sit-to-Stand
Writer's Desk
54" W x 26" D x 28"-46" H



Optional height switch for lift mechanism
630.44.981



Optional power station on back of desk
TVSP3802-F



Standard height switch

HOUSTON

Desks

Standard Features

A	B
•	• Available in Rough Sawn Rustic Brown Maple and White Oak ONLY
•	• 1 1/8" (rough sawn) solid top
•	• Kneehole 24 1/2" W, with pencil drawer
•	• 1 File drawer in each pedestal
•	• Finished back
•	• Unfinished back
•	• Hardware = Swedish Iron drawer pull 7-B (shown)

Optional Features

A	B
•	• Black or brown leather writing pad 15" x 23" (lays on top)
•	• Wooden pegs in legs

See complete options list on pgs 146-147



Optional wooden pegs



Optional black or brown leather writing pad (15" x 23")



Rough Sawn Rustic White Oak • Bel Air w/#10 Low Sheen
A

FVD-3365-HT
Houston desk
65 1/2" W x 31" D x 31 1/4" H



Rough Sawn Rustic White Oak • Bel Air w/#10 Low Sheen
B

FVD-2865-HT
Houston desk
65 1/2" W x 28 1/4" D x 31 1/4" H

Kascade

OFFICE COLLECTION

Form and function found the best possible balance in the Kascade office. Uniquely artful details like corbels and applied slats create a new twist on the classic Mission style. Subtly designed accommodations for modern office electronics are also built in.





QS White Oak · Golden Brown
A

FVD-2865-KS
65" W x 28¼" D x 31" H



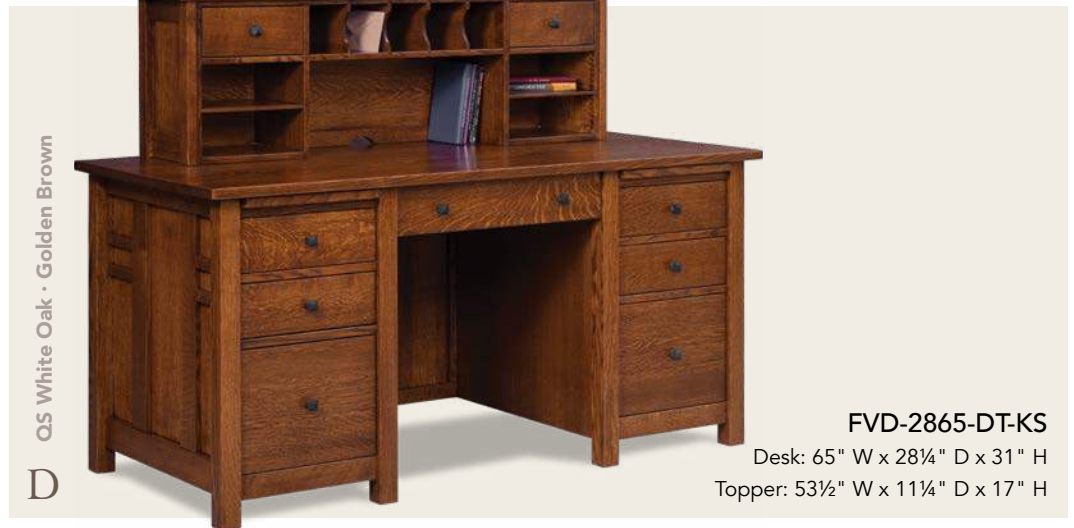
QS White Oak · Golden Brown
B

FVD-3365-KS
curved top desk base
65" W x 33" D x 31" H



QS White Oak · Golden Brown
C

FVD-2849-KS
48¼" W x 28¼" D x 31" H



QS White Oak · Golden Brown
D

FVD-2865-DT-KS
Desk: 65" W x 28¼" D x 31" H
Topper: 53½" W x 11¼" D x 17" H

Kascade Desks



Optional flat sides

Standard Features

A	B	C	D	
•	•	•	•	Kneehole 24½" W, with pencil drawer
•	•	•	•	1 File drawer, each side
•	•	•	•	Pullout above drawers, each side
•		•	•	Unfinished back
	•			Finished back
	•			Curved top
			•	4" deep drawers with drawer stop (prevents drawers from falling out)
			•	Top slots = 4½" W x 9¾" D x 5" H; Side slots = 11½" W x 9¾" D x 4¼" H; all dividers removable
•	•	•	•	Hardware = 1" Black square knob R (shown)

Optional Features

A	B	C	D	
•	•	•	•	Flat sides – no Kascade slatted detail (no up charge)
		•		Finished back

See complete options list on pgs 146-147



Kascade

File Cabinets & Lateral File Credenza

Standard Features

A	B	C	
•		•	Unfinished back
	•		Finished back
•	•		2 Std. file drawers
		•	2 Lateral file drawers
		•	Soft close (concealed hinge) doors
		•	1 Adj. shelf behind doors
•	•	•	Hardware = 1" Black square knob R (shown)

Optional Features

A	B	C	
		•	Change to 36" tall; add 36" behind code

See complete options list on pgs 146-147

Also available:

FVF-3DWR-KS

3 Drawer File Cabinet, 43¾" H

FVF-3DWR-KS-F

3 Drawer File Cabinet with Finished Back, 43¾" H

FVF-4DWR-KS

4 Drawer File Cabinet, 56¼" H

FVF-4DWR-KS-F

4 Drawer File Cabinet with Finished Back, 56¼" H





Sap Cherry · Carbon

A

FVD-2865-LA
65" W x 28½" D x 31" H



Sap Cherry · Carbon

B

FVD-3365-LA
curved top desk base
65" W x 33" D x 31" H



Brown Maple · Charwood

C

FVD-2849-LA
49½" W x 28½" D x 31" H



Sap Cherry · Carbon

D

FVL-2144-LA
42¾" W x 22" D x 31" H



Brown Maple · Charwood

E

FVF-2DWR-LA
23" W x 28½" D x 31" H

LEXINGTON ARC

Desks & Filing Cabinets

Optional Features

A	B	C	D	E	F	
•		•				Finished back
			•			Blum, soft close undermount drawers – cabinet needs to be 2" deeper, additional charge
•	•	•	•	•	•	Hardware = 1-B (no up charge)

Standard Features

A	B	C	D	E	F	
•	•	•				Kneehole 24½" W, with pencil drawer
	•					1 File drawer, each side
				•	•	2 Std. file drawers
•	•	•				Pullout above drawers, each side
•		•	•	•		Unfinished back
	•				•	Finished back
•	•	•	•	•	•	Hardware = Satin Nickel drawer pull T-2 (shown)



Brown Maple · Charwood

F

FVF-2DWR-LA-F
23" W x 29¾" D x 31" H

See complete options list on pgs 146-147


LEXINGTON ARC

Hutch, L Desk & Lateral File Credenza

Standard Features

A	B	C	
•	•		Kneehole 30½" W, each side
•	•		Keyboard pull-out drawer on left; pencil drawer on right
•	•		Pullout above drawers, each side
•	•		1 File drawer, each side
		•	2 Lateral file drawers
•	•		Unfinished back (left side), finished back (right side)
•	•		Grommet in top (hutch side)
•	•		Soft close (concealed hinge) doors
•			Dimmable LED touch lighting (warm white) in work area and open shelf area; adjustable glass shelf in center
•			1 Adj. shelf behind small doors, 2 behind large door on right
		•	1 Adj. shelf behind doors
•			Work area = 47¼" W x 13" D x 22" H
•	•	•	Hardware = 1" Satin Nickel knob and drawer pull T-1, T-2 (shown)

Optional Features

A	B	C	
•	•	•	Reverse sides (no up charge)
	•		Finished back side on left side of desk
•	•	•	Hardware = 1-A, 1-B (no up charge) 

See complete options list on pgs 146-147

See page 211 for dimensional details.



LEXINGTON ARC

Marina

Desks

Standard Features


A	B
•	•
•	•
•	•
	•
	•
	•
•	•
•	•

- Finished back
- Kneehole 24½" W, with pencil drawer
- Pullout above drawers, each side; 2 drawers on right side; file drawer on left side (looks like double drawer)
- 1" Solid tops and sides
- Locking mitered joints on corners
- Hardware = Satin Nickel drawer pull **T-2** (shown)
- Hardware = Satin Nickel drawer pull **10-B** (shown)

Optional Features

A	B
•	

Hardware = **1-B** (no up charge)



See complete options list on pgs 146-147





PARIS and RENO

Desks

Standard Features

A	B	C	D	
•		•	•	Kneehole 24½" W, with pencil drawer
•		•	•	Pullout above drawers, each side
•		•	•	1 File drawer, each side
	•			Pencil drawer
	•	•		Finished back
•		•		Unfinished back
•		•	•	Hardware = Oil Rubbed Bronze drawer pull 5-B (shown)
	•			Hardware = Satin Nickel drawer pull T-2 (shown)

Optional Features

A	B	C	D	
•				Finished back
•		•	•	Split top drawer into two small drawers
	•			Hardware = 1-B (no up charge) 
•		•	•	Hardware = 6-B (no up charge) 

See complete options list on pgs 146-147



Sap Cherry · Vintage Antique
B

FVD-2654-PR
Paris writer's desk
54" W x 26" D x 31" H



OS White Oak · Vintage Antique
w/burnished edges
C

FVD-2865-RN
67" W x 29½" D x 31" H



OS White Oak · Vintage Antique
w/burnished edges
A

FVD-2849-RN
50¾" W x 29½" D x 31" H



OS White Oak · Vintage Antique
w/burnished edges
D

FVD-3365-RN
Reno curved top desk
67" W x 33" D x 31" H

SARATOGA

OFFICE COLLECTION

With its dramatic circles, deep bevels and flowing lines Saratoga creates an office environment like no other...a space that's inviting, artistic and exciting. It's the perfect catalyst for great thoughts and ideas, so pull up a chair and be inspired!



SARATOGA

Desks

Standard Features

- | A | B |
|---|---|
| • | • |
| • | • |
| • | • |
| • | • |
| • | • |
| • | • |
| • | • |
| • | • |
- Finished back side
 - Pencil drawer
 - Solid, curved base with curved drawer front
 - Kneehole 24½" W
 - Pullout above drawers, each side
 - 2 Drawers on right side; file drawer on left side (looks like double drawer)
 - Hardware = Satin Nickel drawer pull **I-2** (shown)

Optional Features

- | A | B |
|---|---|
| • | • |
- Hardware = **J-2** (no up charge)
- 

See complete options list
on pgs 146-147

Sap Cherry • Burnt Umber
A



FVD-2654-ST
writer's desk
54" W x 26" D x 31" H

Brown Maple • Asbury Brown (body);
Briar (pedestal)
B



FVD-3068-ST
68¼" W x 30" D x 31" H



Finished back side



Finished back side



A FVD-3367-ST
curved top desk
67" W x 33" D x 31" H



B FVBB-2074-HT-ST
2pc back bar &
hutch top
74" W x 19¾" D x 87½" H

C FVBB-2074-ST
back bar (base only)
74" W x 19¾" D x 34" H

Sap Cherry · Burnt Umber

A

Sap Cherry · Burnt Umber

SARATOGA

Desk & Back Bar

Standard Features

A	B	C	
•	•	•	Solid curved base, curved drawer fronts
•	•	•	2 Adj. shelves behind each door
•			Kneehole 24½" W, with pencil drawer
•			Pullout above drawers, each side
•			1 File drawer, each side
	•	•	Unfinished back
	•		Finished back
•	•	•	Hardware = 1¼" Satin Nickel knob and drawer pull I-1, I-2 (shown)

Optional Features

Hardware = **J-1, J-2** (no up charge)



See complete options list on pgs 146-147

See page 209 for dimensional details.

TIMBRA


Ventura

Desks

Standard Features

A	B
•	• Finished back
•	• 1" Thick top (FVD-3365-TB)
•	• Kneehole 24½" W, with pencil drawer
•	• Pullout above drawers, each side
•	• 1 File drawer each side
•	• Pencil drawer
•	• Hardware = Swedish Iron drawer pull 7-B (shown)
•	• Hardware = Satin Nickel drawer pull Y-1 (shown)

Optional Features

A	B
•	• 1¼" Thick live edge top FVD-3365-TB-LET
•	• Hardware = 13-B  (no up charge)

See complete options list on pgs 146-147



Rustic Cherry · Chestnut

A

FVD-3365-TB-LET
Timbra live edge desk
65" W x 31" D x 31" H
also available **FVD-3365-TB**
65" W x 33" D x 31" H



Sap Cherry · Asbury Brown

B

FVD-2654-VT
Ventura writer's desk
54" W x 26" D x 31" H

Victorian

WRAP-AROUND DESK

What do you want your workspace to say about you? That quality is a priority to you? That you sweat the details? That the style best suited to your taste is simple yet stately? If so, the Victorian Wrap-Around Desk is the perfect choice for your home or business office.





Rustic Cherry · Michael's Cherry

A



FVD-9678U-HT-VS · 4pc desk
 desk: 78" W x 96" D x 31" H
 hutch: 74¼" W x 19½" D x 53" H

Sap Cherry · Vintage Antique

B



FVD-2865-VS
 63¾" W x 28" D x 31" H

Sap Cherry · Vintage Antique

C



FVE-3365-VS
 63¾" W x 33" D x 31" H

Victorian

Wrap Around Desk & Std Desks

Optional Features

A B C

- Reverse sides (no up charge)
- 3pc desk base only **FVD-9678U-VS**
- • • Hardware = **8-A, 8-B** (no up charge)

See complete options list on pgs 146-147



Standard Features

See page 209 for dimensional details.

A	B	C	
•	•	•	Solid, raised panel sides
•	•	•	Pullout above drawer bank with 3 drawers (1 file drawer), each side
•			Top has mitered corners
•			Keyboard pull-out drawer on hutch side; pencil drawers – 2 in center kneehole, 1 in outside kneehole
	•	•	Kneehold 24½" W, with pencil drawer
•			Grommet in top (hutch side)
•			Soft close (concealed hinge) doors
•			Dimmable LED (warm white) touch lighting in work area and open shelf area
•			2 Adj. shelves behind wood doors, 1 adj. glass shelf in center
•			Finished back on front and left side; unfinished back on hutch side
	•		Unfinished back
		•	Finished back
•	•	•	1¼" Oil Rubbed Bronze knob and drawer pull S-1, S-2 (shown)

Victorian Hutch & L Desk

Standard Features

A	B	
•	•	Solid, raised panel sides
•	•	Kneehole 30½" W, each side
•	•	Keyboard pull-out drawer on left; pencil drawer on right
•	•	Pullout above drawers, each side
•	•	1 File drawer, each side
•	•	Unfinished back (left side), finished back (right side)
•	•	Grommet in top (hutch side)
•	•	Soft close (concealed hinge) doors
•	•	Dimmable LED touch lighting (warm white) in work area and open shelf area
•	•	1 Adj. shelf behind each door
•	•	Work area = 67¾" W x 13" D x 19½" H
•	•	Hardware = 1¼" Oil Rubbed Bronze knob and drawer pull S-1, S-2 (shown)

Optional Features

A	B	
•	•	Reverse sides (no up charge)
•	•	Finished back side on left side of desk
•	•	Hardware = 8-A, 8-B (no up charge)

See complete options list on pgs 146-147



See page 212 for dimensional details.



A
Oak · Briar

FVD-7878L-HT-VS · 3pc desk base & hutch
desk: 78" W (left & right side) x 30" D x 31" H
hutch: 77⅞" W x 16¾" D x 48½" H



B
Oak · Briar

FVD-7878L-VS · 2pc desk base
78" W (left & right side) x 30" D x 31" H



DECORATIVE HARDWARE

HARDWARE & DOOR
OPTIONS



A-1	K-40-B	1¼" Diameter round wood knob	I-1	595-SN	1¼" Satin Nickel knob	Q-2	K155-96DBAC	Antique Copper drawer pull
A-2	K-40-C	1½" Diameter round wood knob	I-2	595-96-SN	1¼" Satin Nickel drawer pull	R	D-524	1" Black square knob
B-1	K-50-B	1¼" Square pyramid wood knob	J-1	595-DBAC	1¼" Oil Rubbed Bronze knob	S-1	107-DBAC	1¼" Oil Rubbed Bronze knob
B-2	K-50-C	1½" Square pyramid wood knob	J-2	595-96-DBAC	Oil Rubbed Bronze drawer pull	S-2	3899-DBAC	Oil Rubbed Bronze drawer pull
C-1	11-LP	1⅝" Low profile round wood knob	L-1	552	Black door pull	T-1	525-SN	1" Satin Nickel knob
C-2	17-LP	1¾" Low profile round wood knob	L-2	553	Black drawer pull	T-2	525-96-SN	Satin Nickel drawer pull
D	K-53-B	1¼" Square pyramid Black knob	M-1	552-ORB	Oil Rubbed Bronze door pull	U	1217-MB	1" Black knob
E	853-BN	1¼" Black Nickel knob	M-2	553-ORB	Oil Rubbed Bronze drawer pull	W-1	4425-WI	1¼" Wrought Iron knob
F-1	53471-WN	1¼" Weathered Nickel knob	O-1	53005-G10	1¼" Satin Nickel round knob	W-2	4424-WI	Wrought Iron drawer pull
F-2	53470-WN	Weathered Nickel drawer pull	P-1	D-570-W	1" Wrought Iron knob	X-1	D942-BL	1¼" Black Stickley Mission knob
H-2	D-527-A	Black Mission door pull	P-2	D-521-W	Wrought Iron drawer pull	X-2	D925-BL	Blk Stickley Mission drawer pull
H-3	D-529-A	Black Mission drawer pull	Q-1	K155-DBAC	1⅝" Antique Copper knob	Y-1	4655-SN	5" Satin Nickel pull



- | | | | | | |
|-----|-------------|---------------------------------|------|---------------|-----------------------------------|
| 1-A | 525-DBAC | 1" Oil Rubbed Bronze knob | 8-A | 107-SN | 1¼" Satin Nickel knob |
| 1-B | 525-96-DBAC | Oil Rubbed Bronze drawer pull | 8-B | 3899-SN | Satin Nickel drawer pull |
| 2-A | P3230-OBH | 1¼" Oil Rubbed Bronze knob | 9-B | 26203-G10 | Satin Nickel drawer pull |
| 2-B | P3232-OBH | Oil Rubbed Bronze drawer pull | 10-A | 993-SN | 1¾" Long Satin Nickel door handle |
| 3-A | P3230-SN | 1¼" Satin Nickel knob | 10-B | 3371-SN | Satin Nickel drawer pull |
| 3-B | P3232-SN | Satin Nickel drawer pull | 11-B | 415-128-BNBDL | Brushed Pewter drawer pull |
| 4-A | 4425-ORB | 1¼" Oil Rubbed Bronze knob | 12-B | 415-128-SN | Satin Nickel drawer pull |
| 4-B | 4424-ORB | Oil Rubbed Bronze drawer pull | 13-B | 205128195 | Satin Nickel drawer pull |
| 5-A | 29310-ORB | 1¾" Oil Rubbed Bronze knob | | | |
| 5-B | 29295-ORB | Oil Rubbed Bronze drawer pull | | | |
| 6-A | 29310-G10 | 1¾" Satin Nickel knob | | | |
| 6-B | 29295-G10 | Satin Nickel drawer pull | | | |
| 7-A | K58-SI | 1½" Long Swedish Iron door pull | | | |
| 7-B | K558-SI | Swedish Iron drawer pull | | | |



DOOR OPTIONS

Nothing gives our solid wood furniture the finishing touches like hand-applied mullions in a variety of straight, curved or arched themes. Clear beveled glass, speaker cloth, seedy glass or water glass are other insert options.

Inserts



Clear beveled glass



Speaker cloth



Seedy glass



Water glass

Special Note: All remotes work through glasswork on this page.

Mullions



MLMM



MLVS



MLKS



MLAC



MLHH



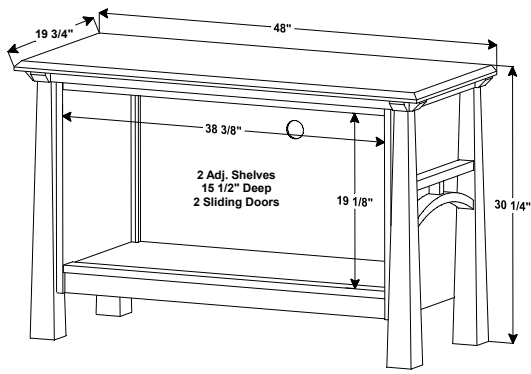
MLOCS



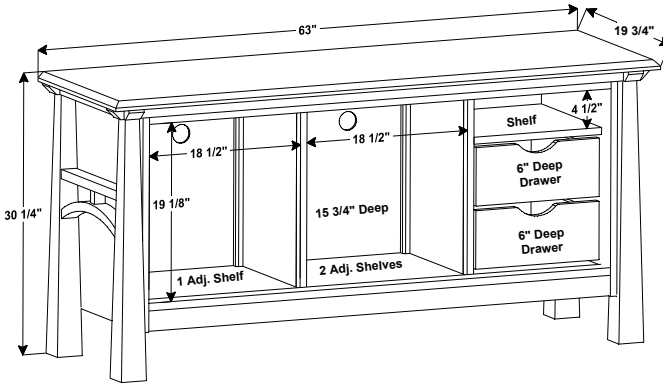
MLCN

DIMENSIONAL DETAILS

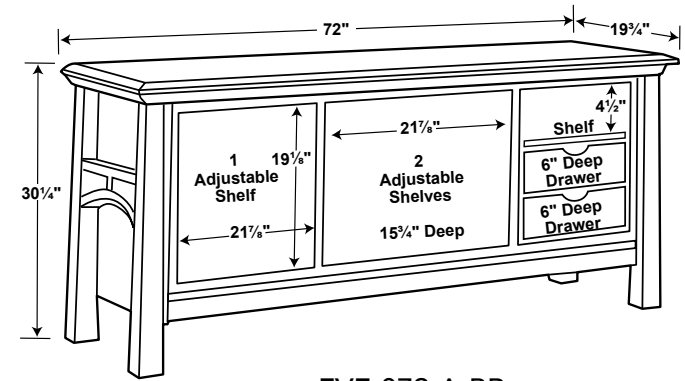
No details have been forgotten when preparing for your furnishing purchase. This section has all the dimensions for media consoles, cabinets, large wall units, and office furnishings needed for reference when selecting and ordering.



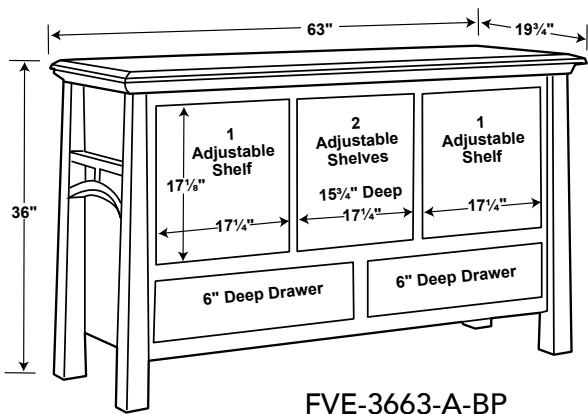
FVE-048-A



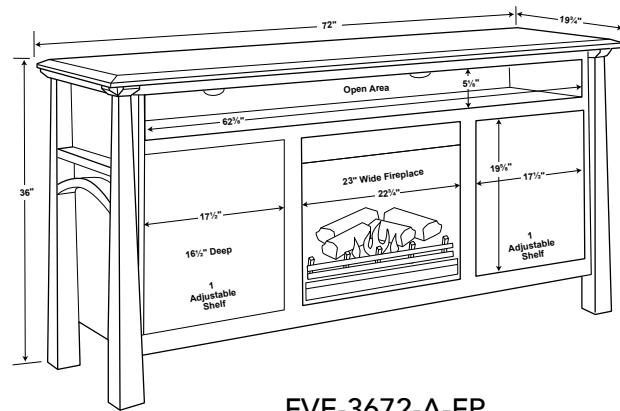
FVE-060-A-BP



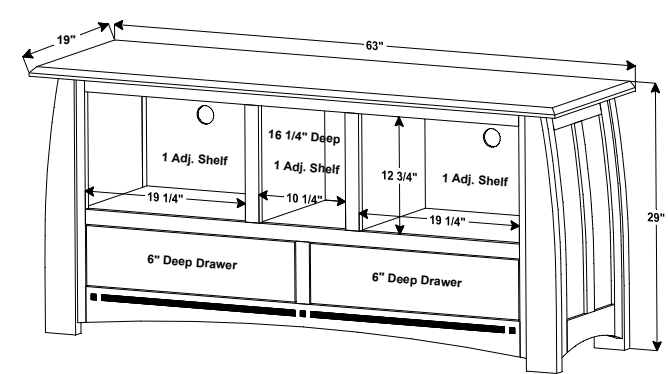
FVE-072-A-BP



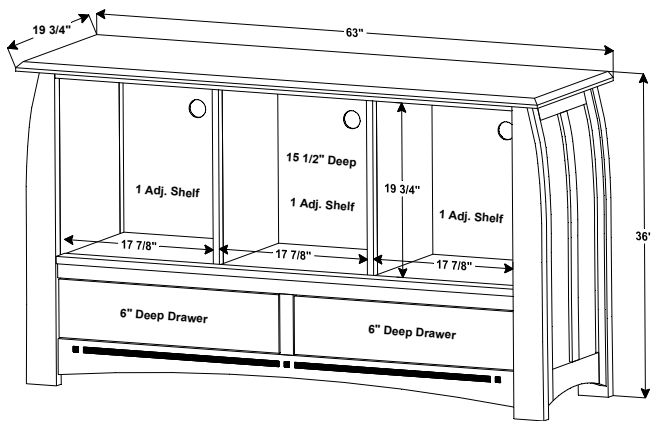
FVE-3663-A-BP



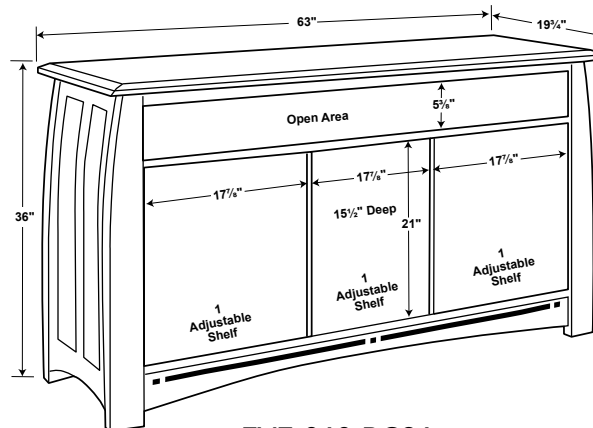
FVE-3672-A-FP



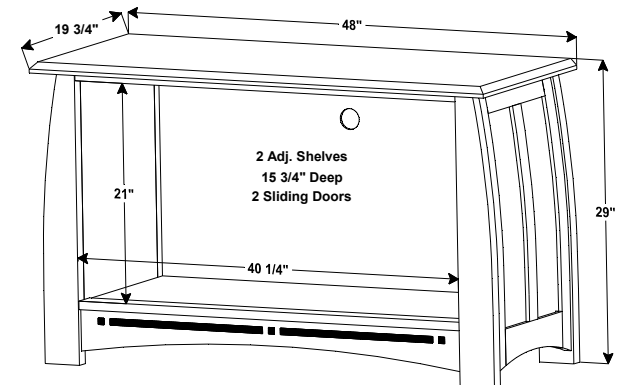
FVE-032-BC-BP



FVE-3663-BC-BP

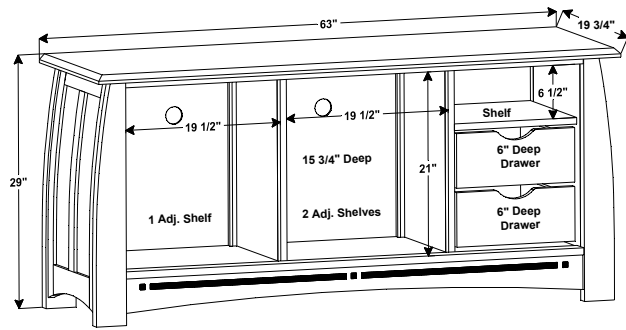


FVE-060-BC36

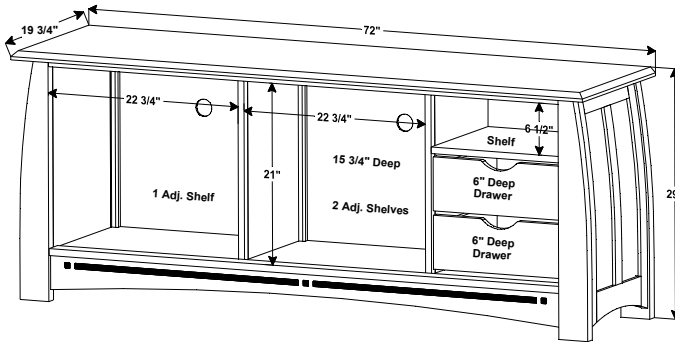


FVE-048-BC

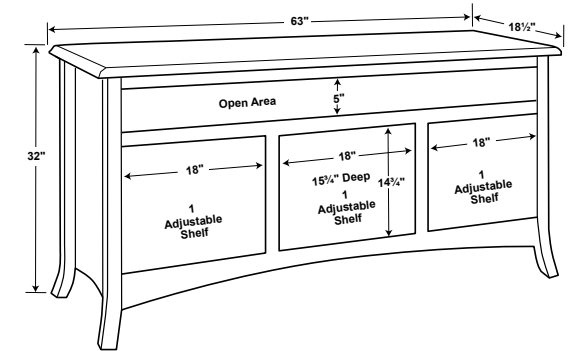
Dimensional Details | media stands, cabinets & consoles



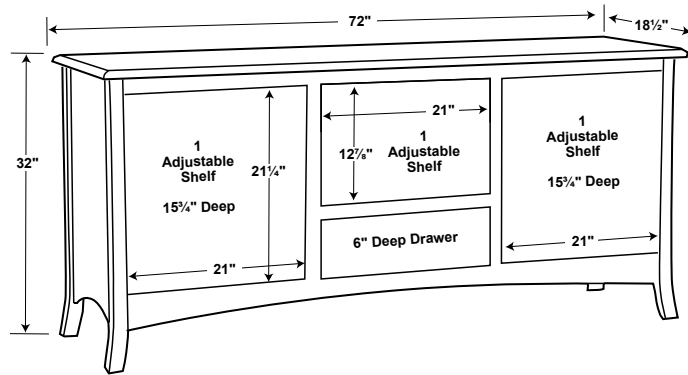
FVE-060-BC-BP



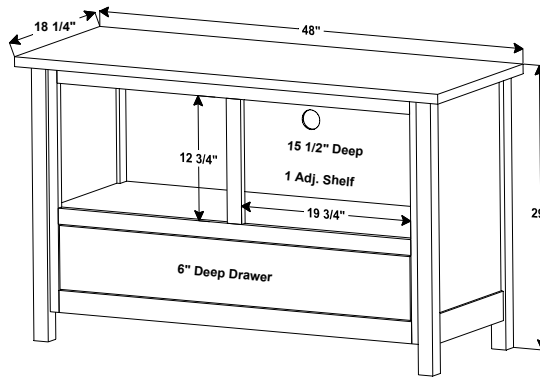
FVE-072-BC-BP



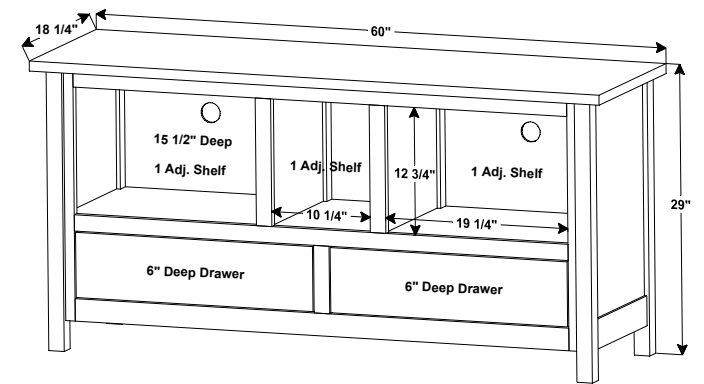
FVE-3263-CR



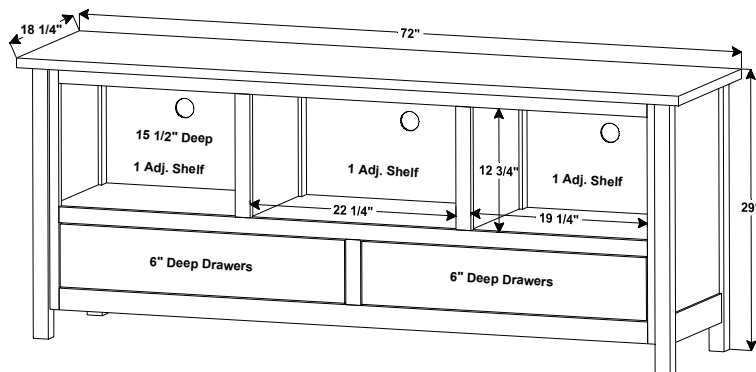
FVE-072-CR



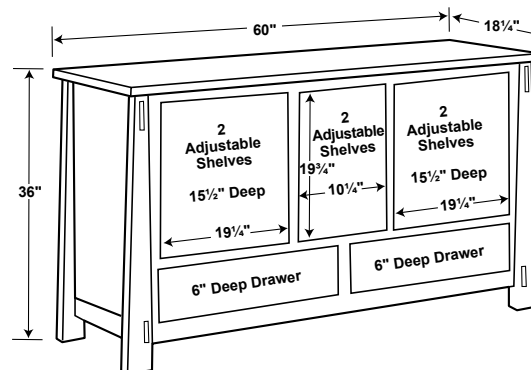
FVE-031-CN;
FVE-031-CB (top size = 18 3/4 D x 49 1/4 W)
FVE-031-MD; FVE-031-WL



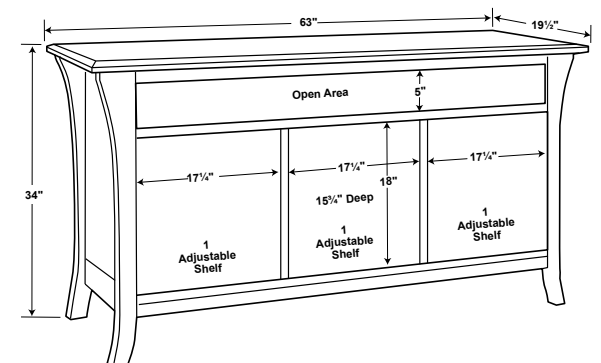
FVE-032-CN-BP
FVE-032-CB-BP (top size = 18 3/4 D x 61 1/4 W)
FVE-032-MD-BP; FVE-032-WL-BP



FVE-072-CN-BP
FVE-072-CB-BP (top size = 18 3/4 D x 73 1/4 W)
FVE-072-MD-BP; FVE-072-WL-BP

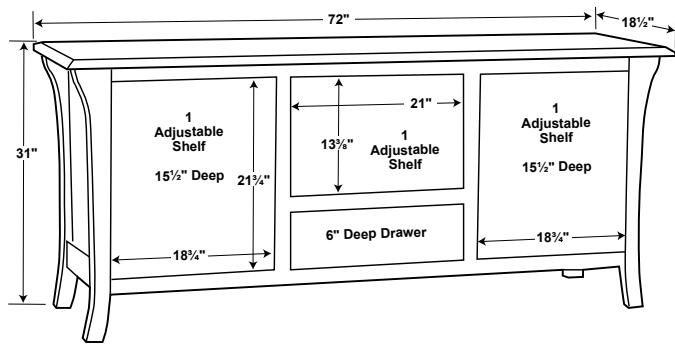


FVE-032-CN-BP 36"
FVE-032-MD-BP 36"

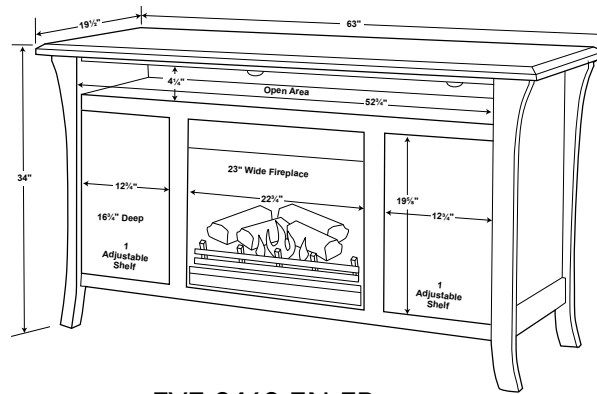


FVE-3463-EN

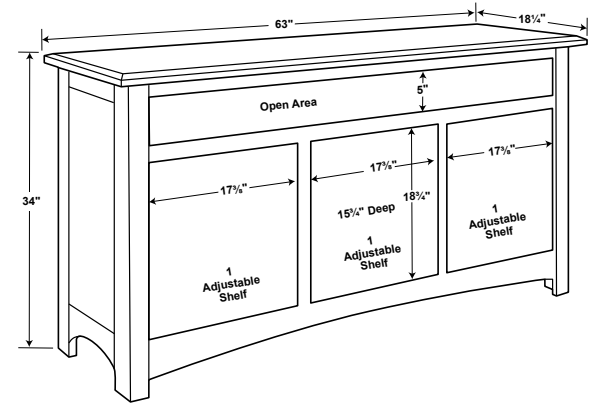
Dimensional Details | media stands, cabinets & consoles



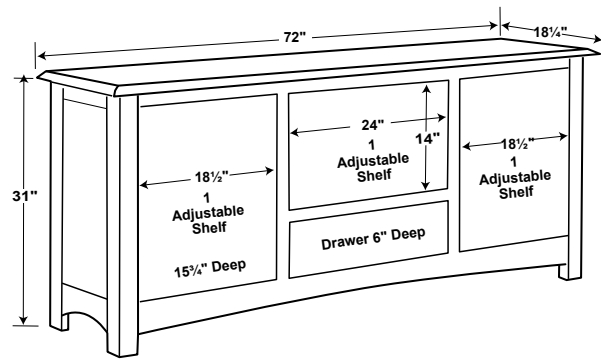
FVE-072-EN



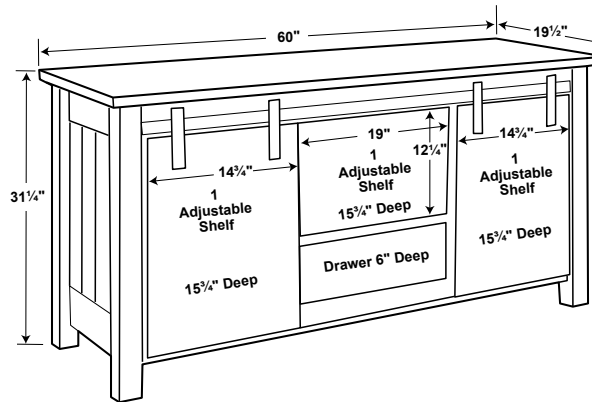
FVE-3463-EN-FP



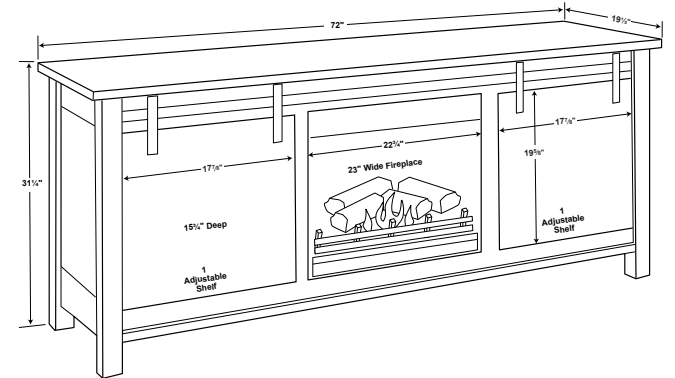
FVE-3463-FL



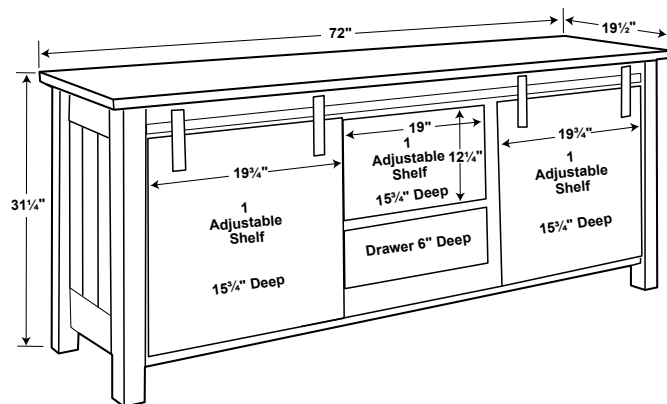
FVE-072-FL



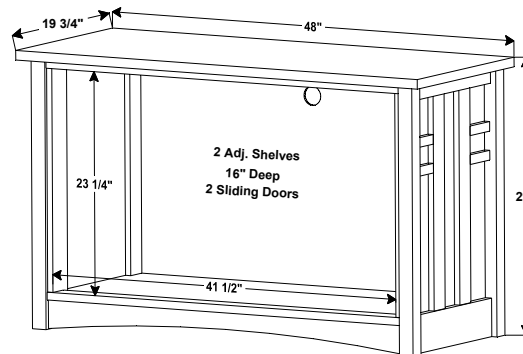
FVE-3160-HT
FVE-3160-TB



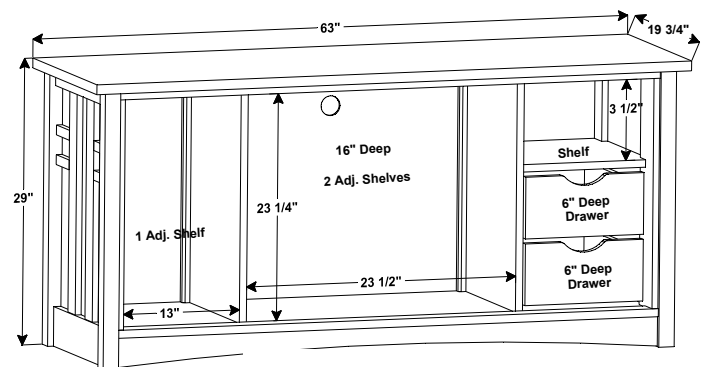
FVE-3172-HT-FP



FVE-3172-HT
FVE-3172-TB

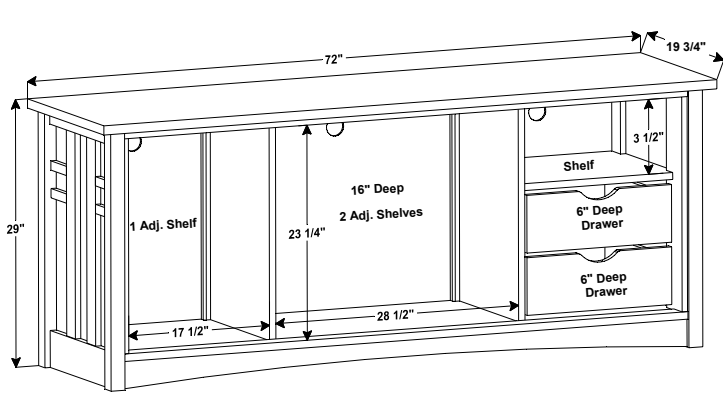


FVE-048-KS

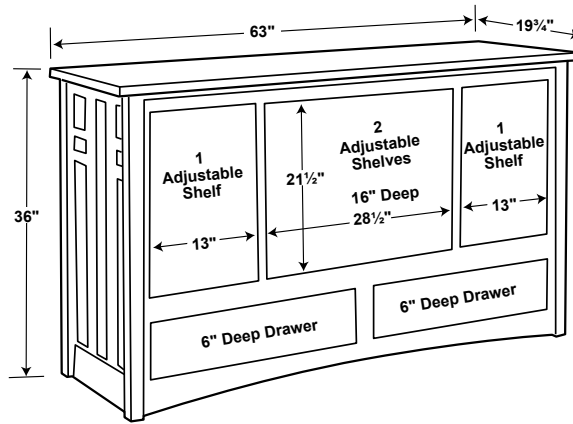


FVE-060-KS-BP

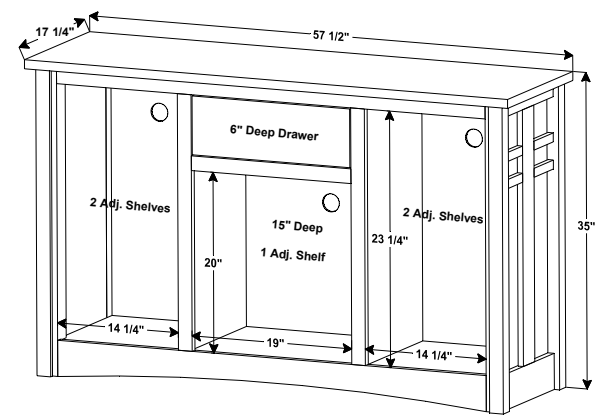
Dimensional Details | media stands, cabinets & consoles



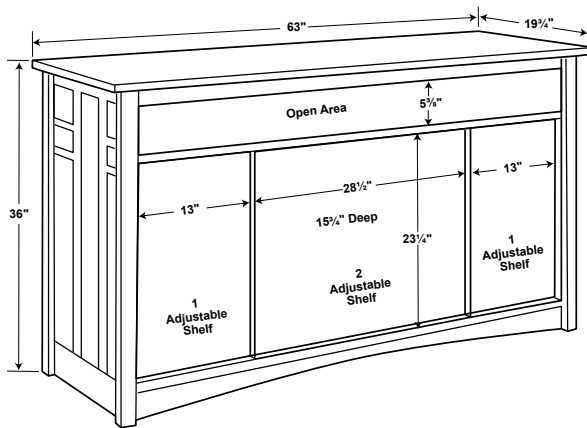
FVE-072-KS-BP



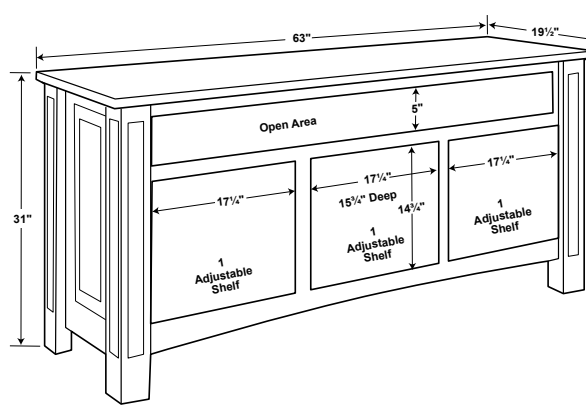
FVE-3663-KS-BP



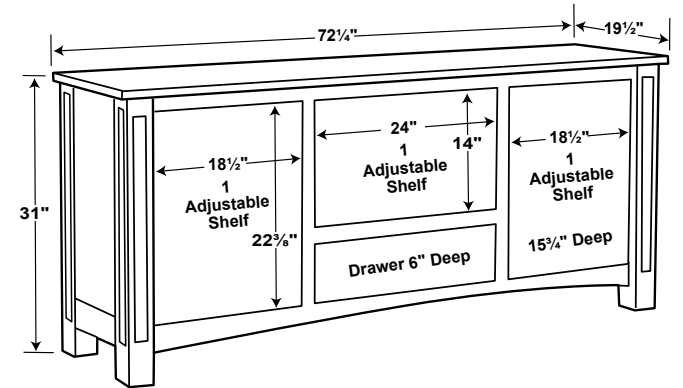
FVE-037-KS



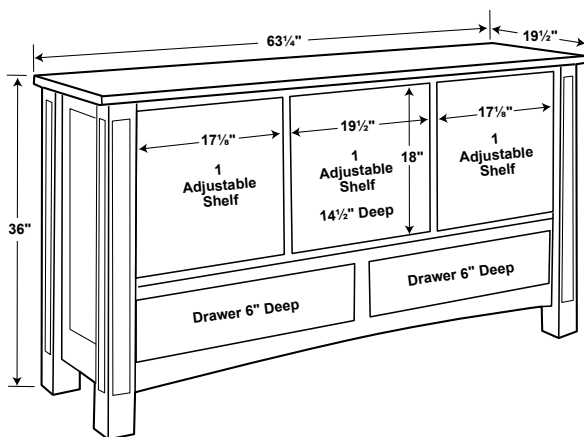
FVE-060-KS36



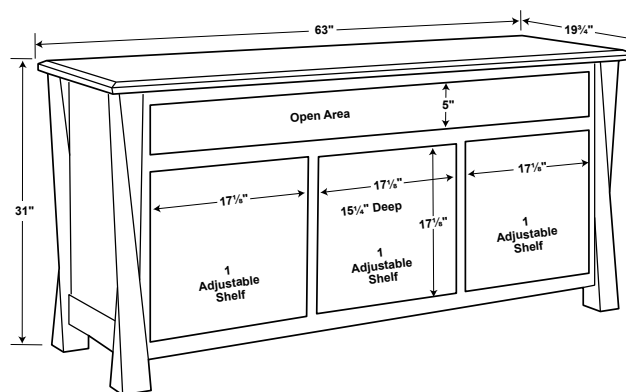
FVE-3163-LX



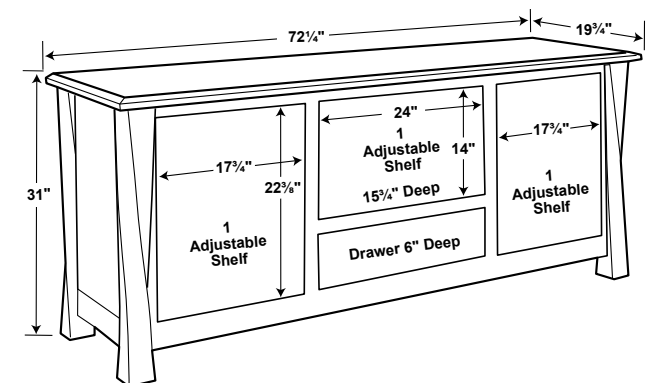
FVE-072-LX



FVE-3663-LX

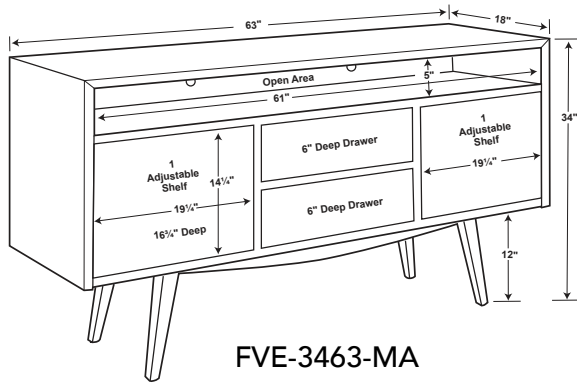


FVE-3163-LA

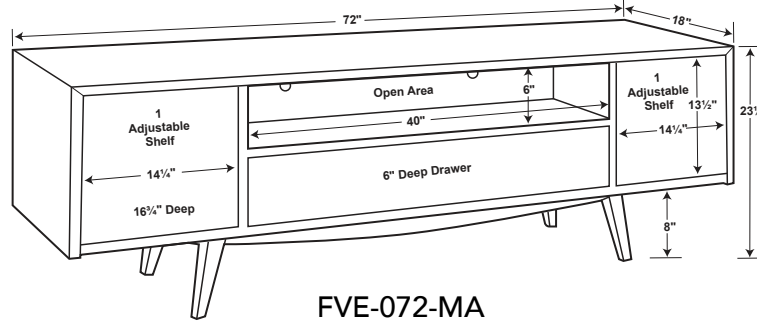


FVE-072-LA

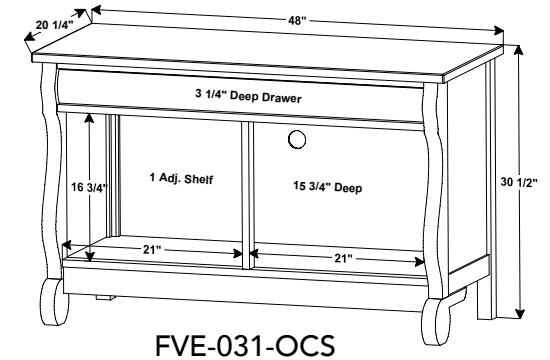
Dimensional Details | media stands, cabinets & consoles



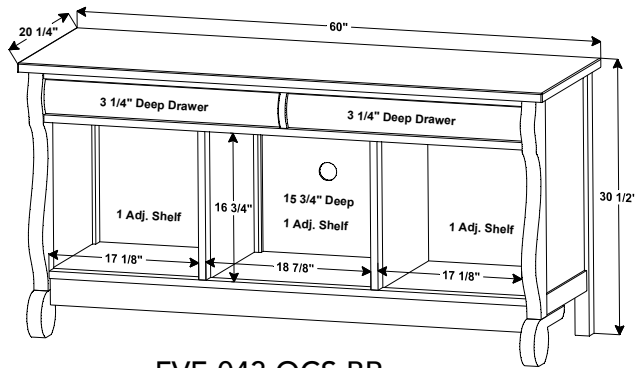
FVE-3463-MA



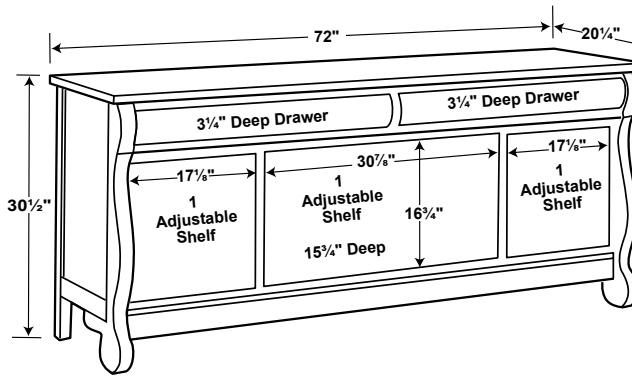
FVE-072-MA



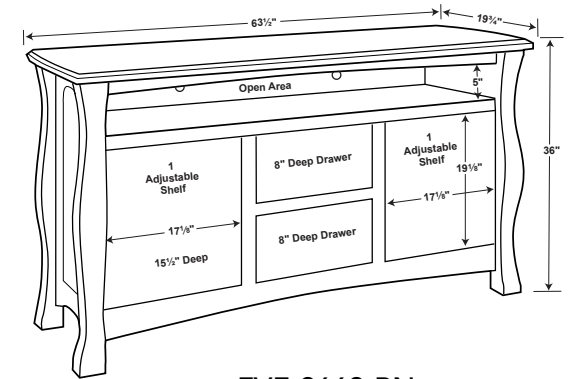
FVE-031-OCS



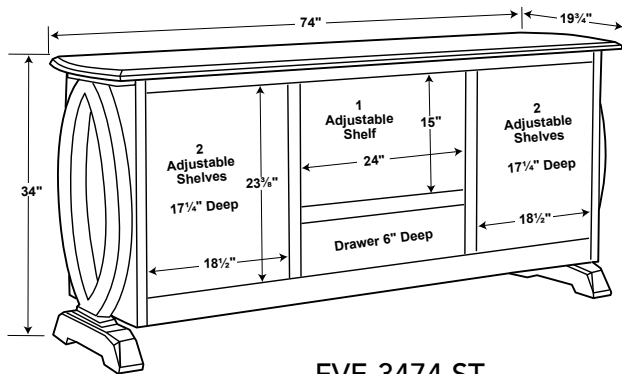
FVE-043-OCS-BP



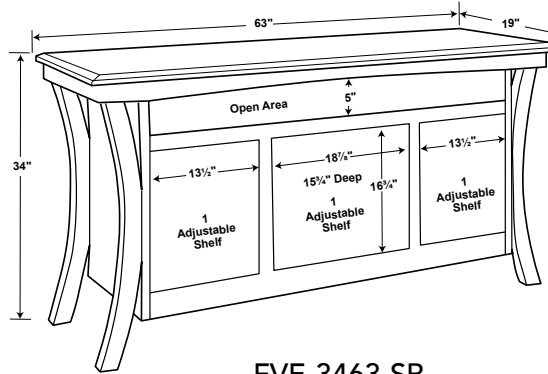
FVE-072-OCS-BP



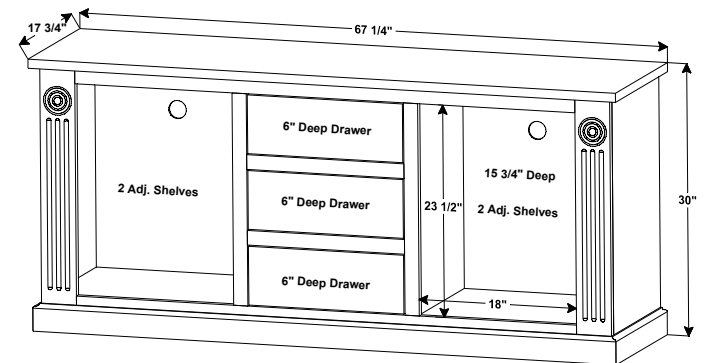
FVE-3663-RN



FVE-3474-ST

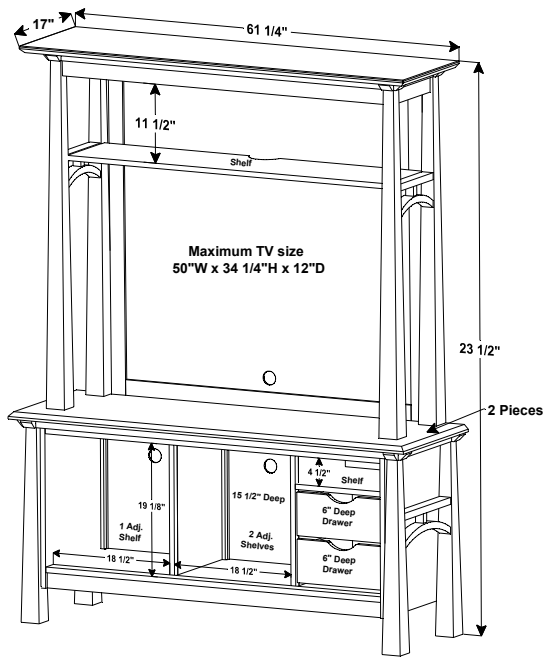


FVE-3463-SR



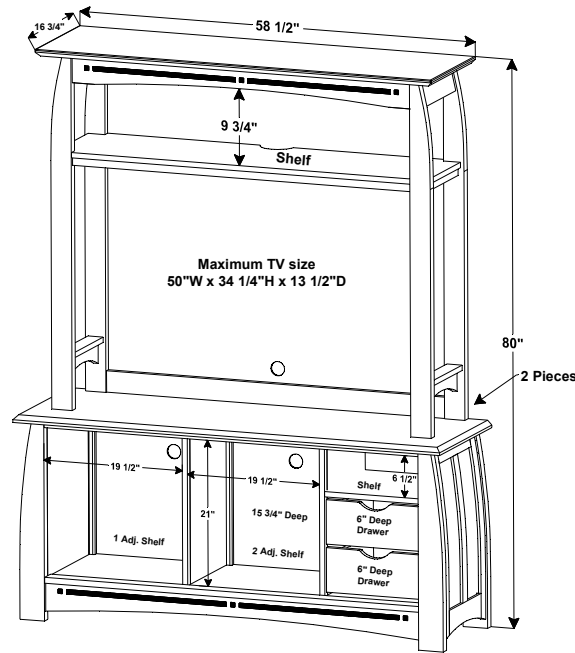
FVE-047-VS-BP

Dimensional Details | media stands, cabinets & consoles



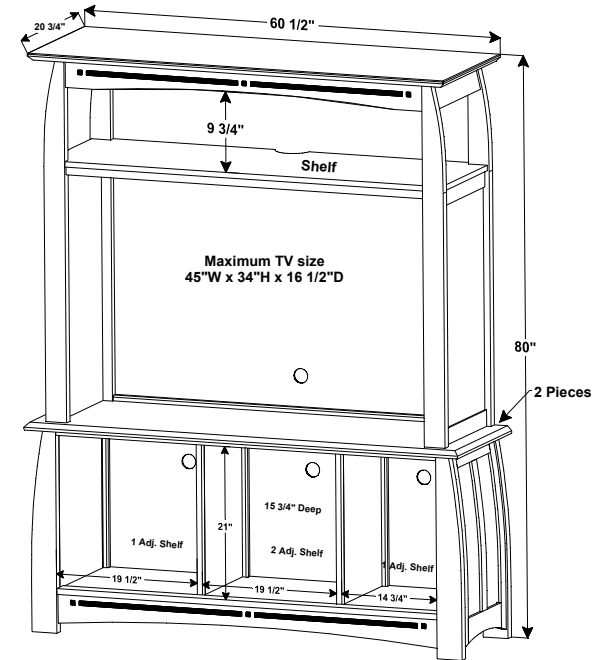
FVE-060-A

Base only: 63" W x 30 1/4" H x 19 3/4" D



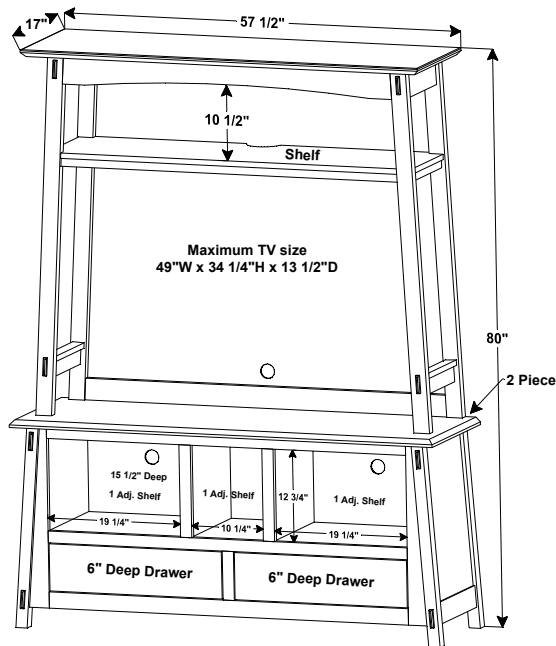
FVE-060-BC

Base only: 63" W x 29" H x 19 3/4" D



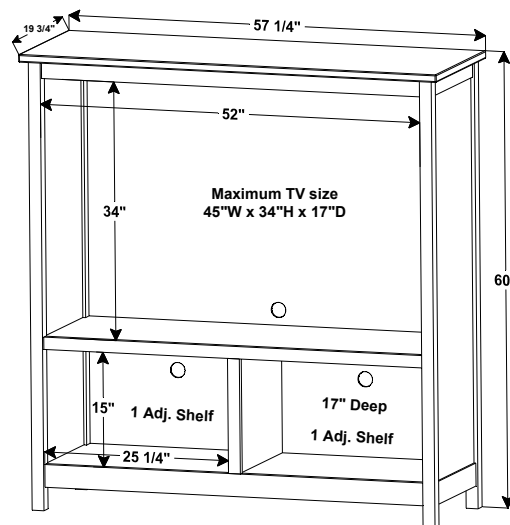
FVE-2060-BC

TV sits 29" off the floor



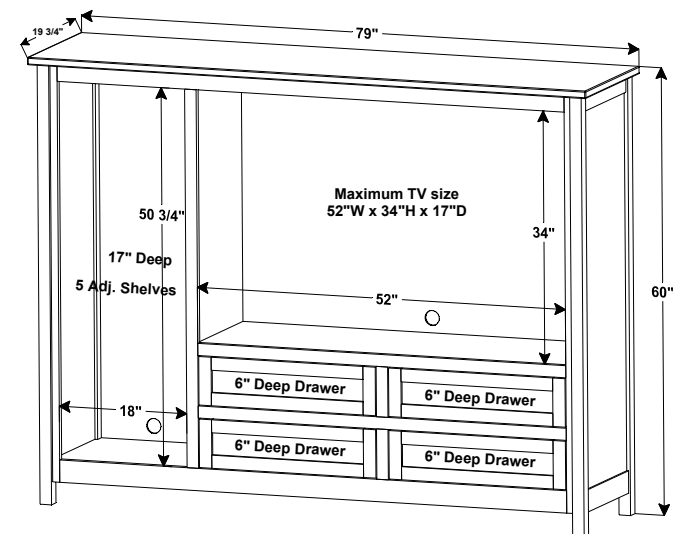
FVE-032-CB

Base only: 61 1/4" W x 29" H x 18 3/4" D



FVE-05-CN

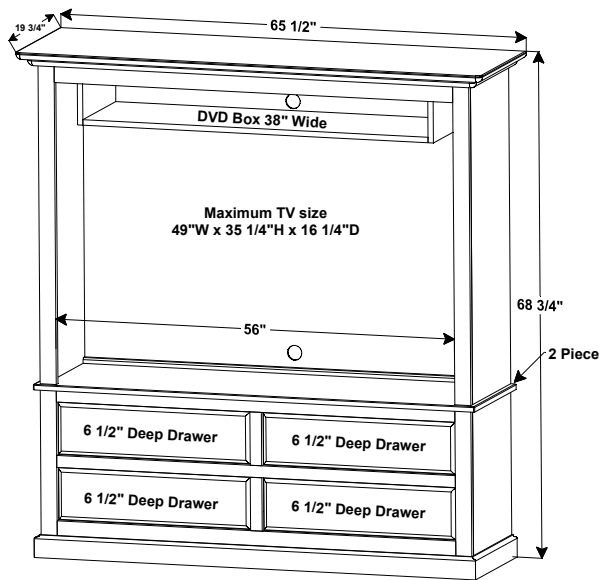
TV sits 21 1/4" off the floor



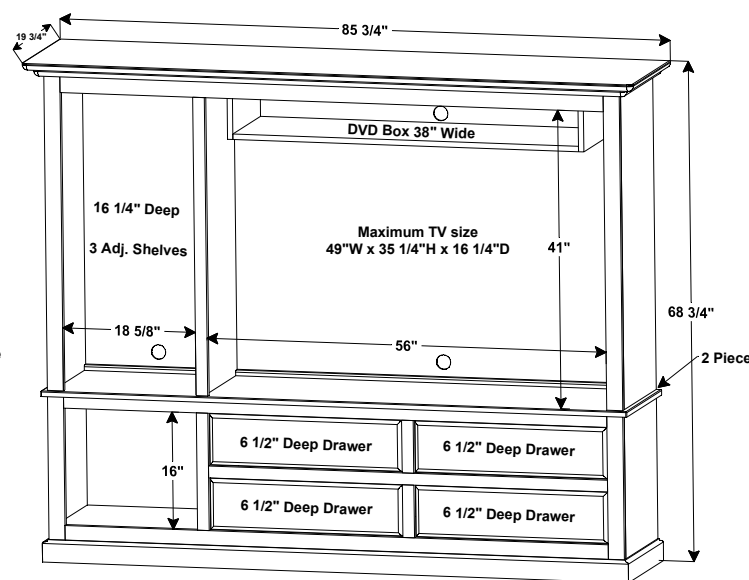
FVE-06-CN

TV sits 22 3/4" off the floor

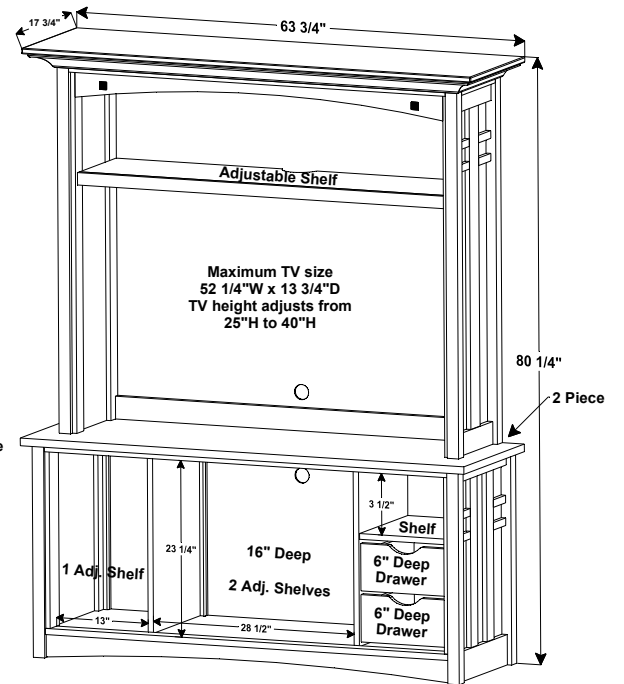
Dimensional Details | media stands, cabinets & consoles



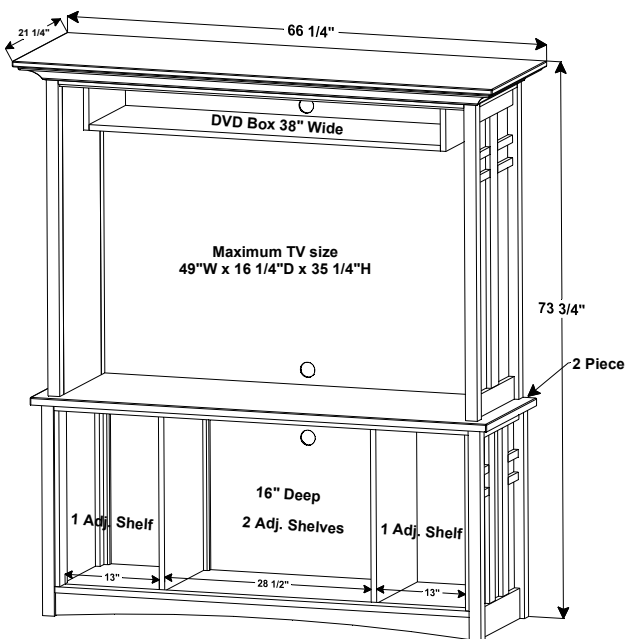
FVE-038-FCM
TV sits 22½" off the floor



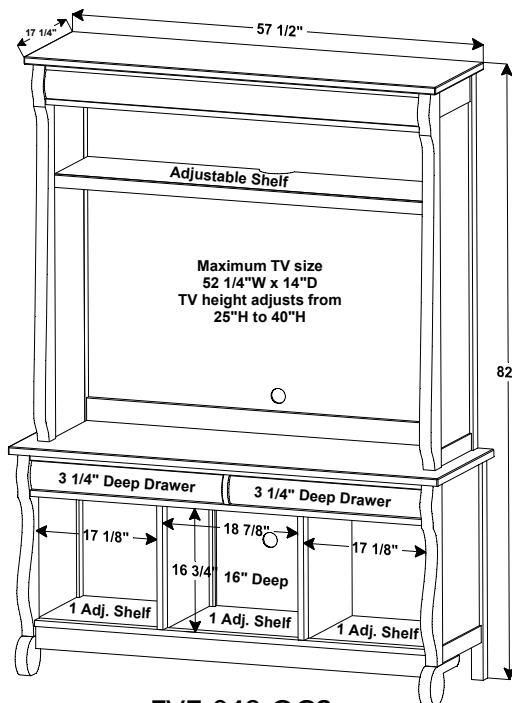
FVE-039-FCM
TV sits 22½" off the floor



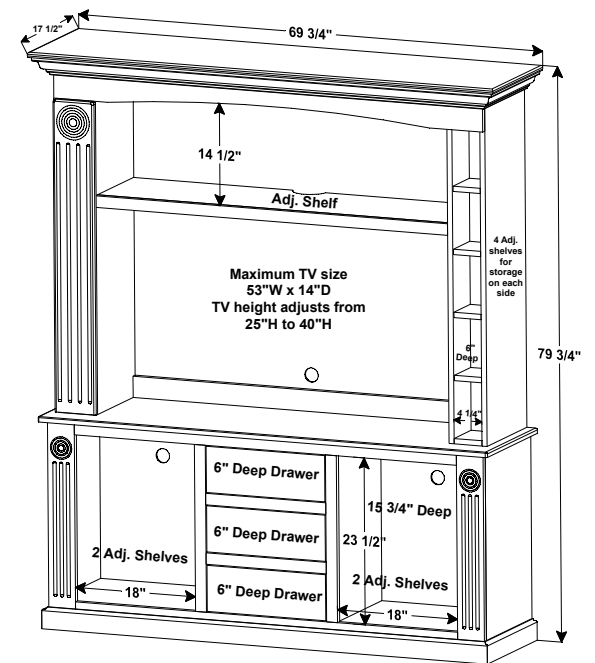
FVE-060-KS
Base only: 63" W x 19¾" D x 29" H



FVE-2060-KS
TV sits 29" off the floor

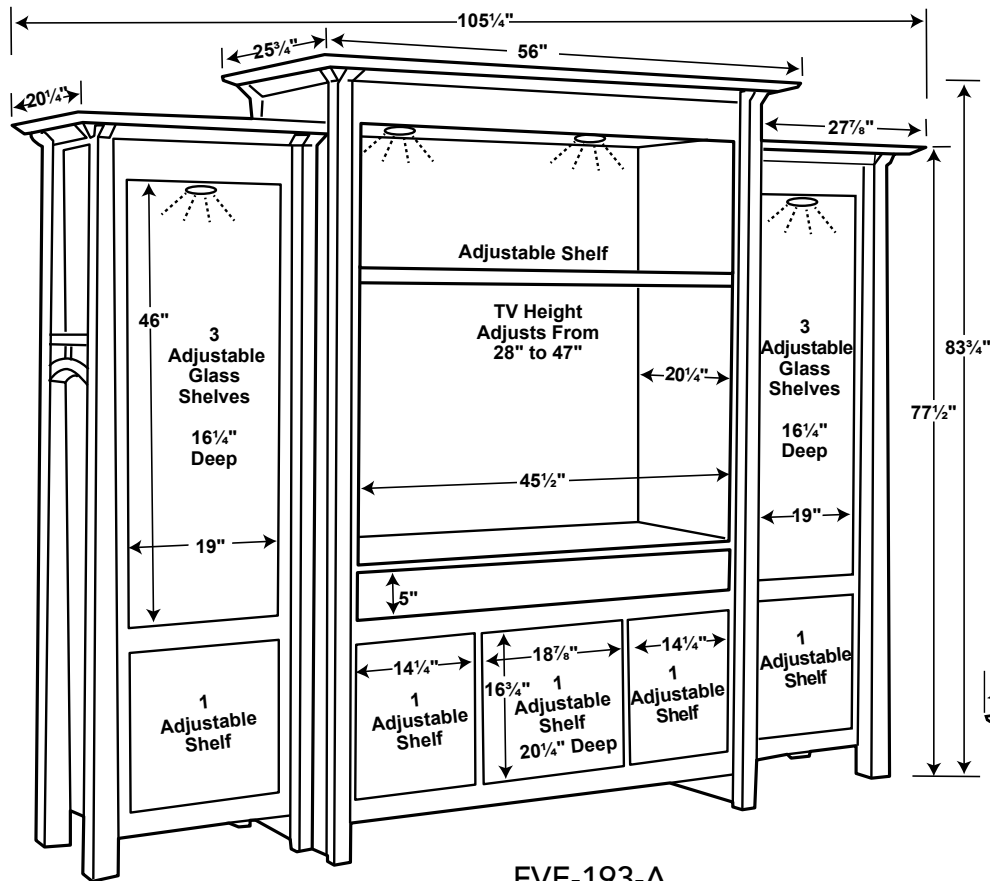


FVE-043-OCS
Base only: 60" W x 20¼" D x 30½" H



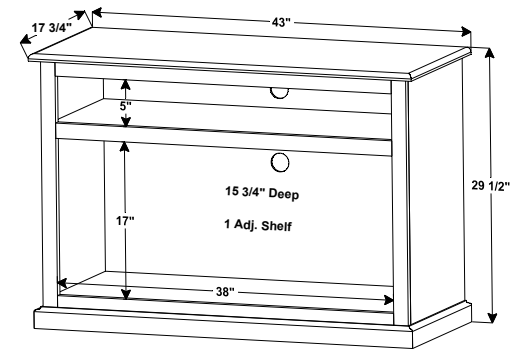
FVE-047-VS
Base only: 67¼" W x 17¾" D x 30" H

Dimensional Details | media stands & media wall units

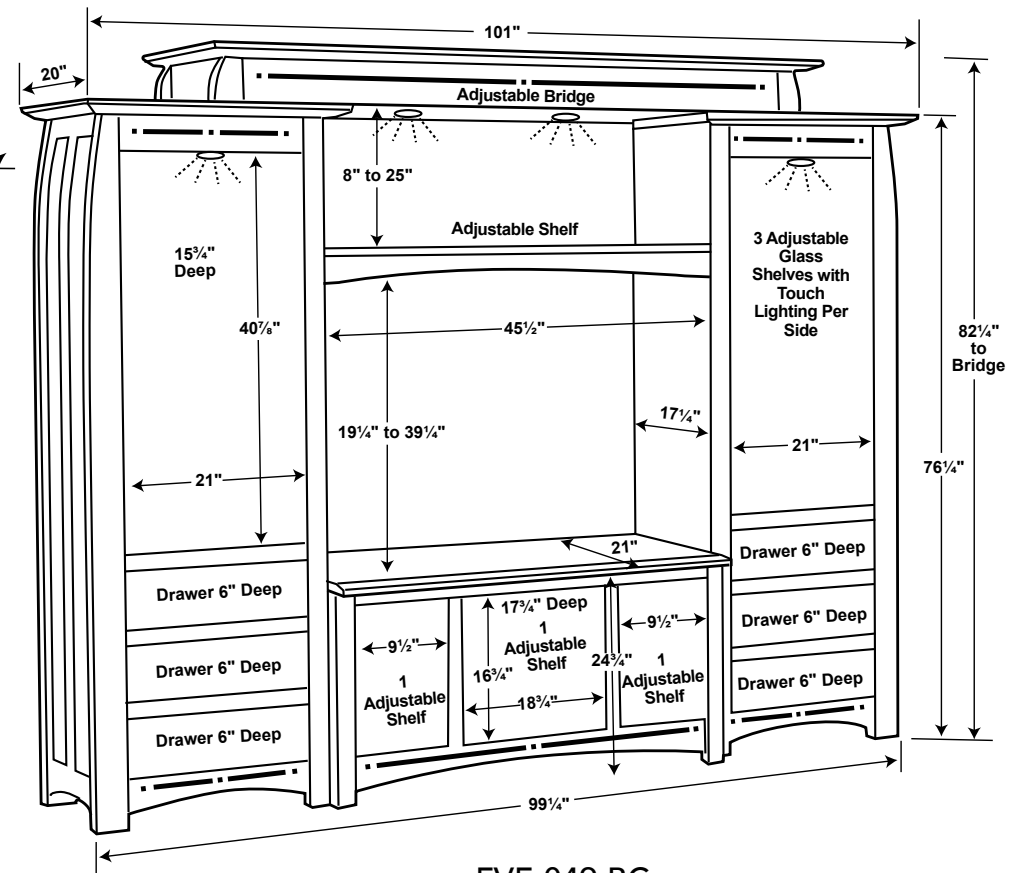


FVE-193-A
TV sits 31" off the floor

Available in 5 different increments
 45 1/2" Wide; 50 1/2" Wide;
 55 1/2" Wide; 60 1/2" Wide;
 68 1/2" Wide
Please specify width when ordering

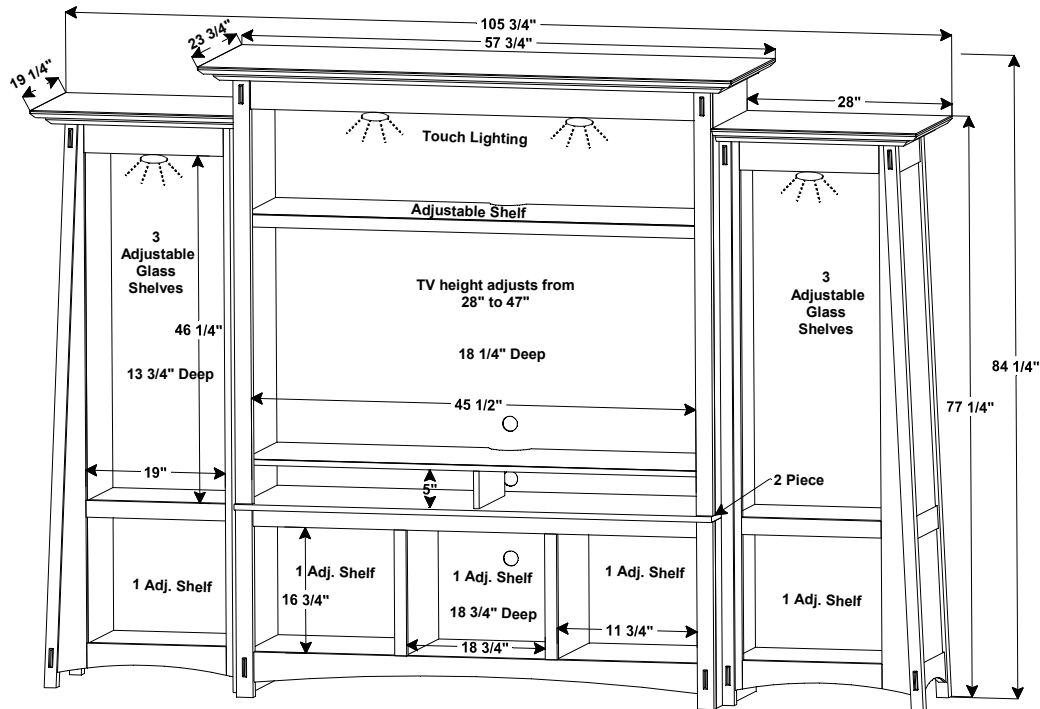


FVE-024-C-XL;
FVE-024-M-XL



FVE-049-BC

Dimensional Details | media wall units



FVE-193-CB

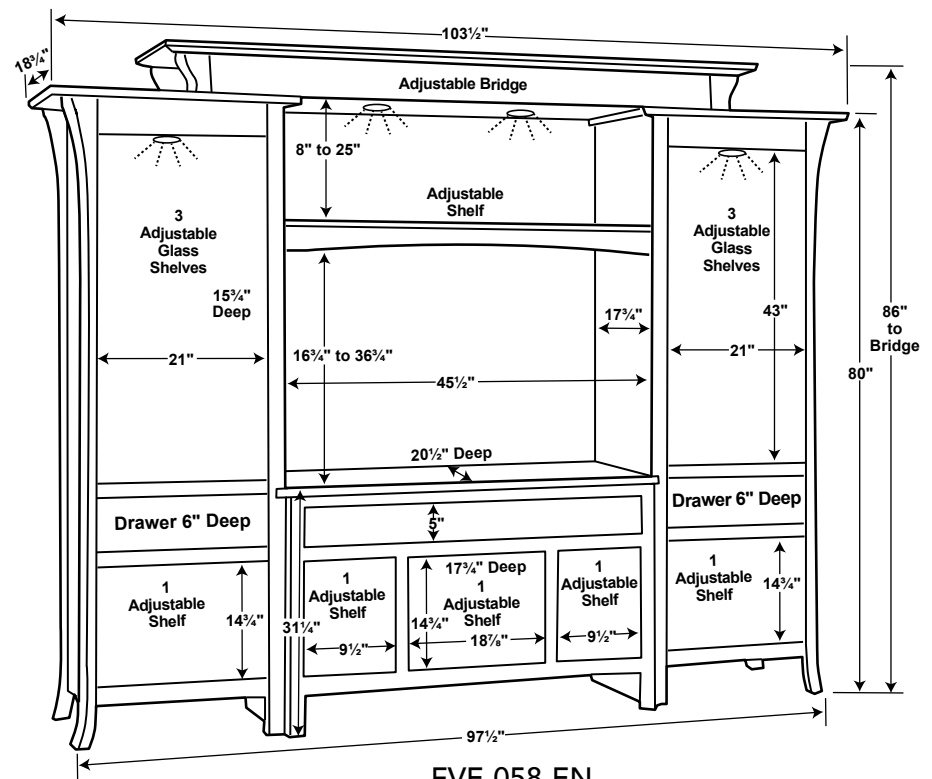
TV sits 31" off the floor

Available in 4 different increments

45 1/2" Wide; 50 1/2" Wide;

55 1/2" Wide; 60 1/2" Wide

Please specify width when ordering



FVE-058-EN

Available in 5 different increments

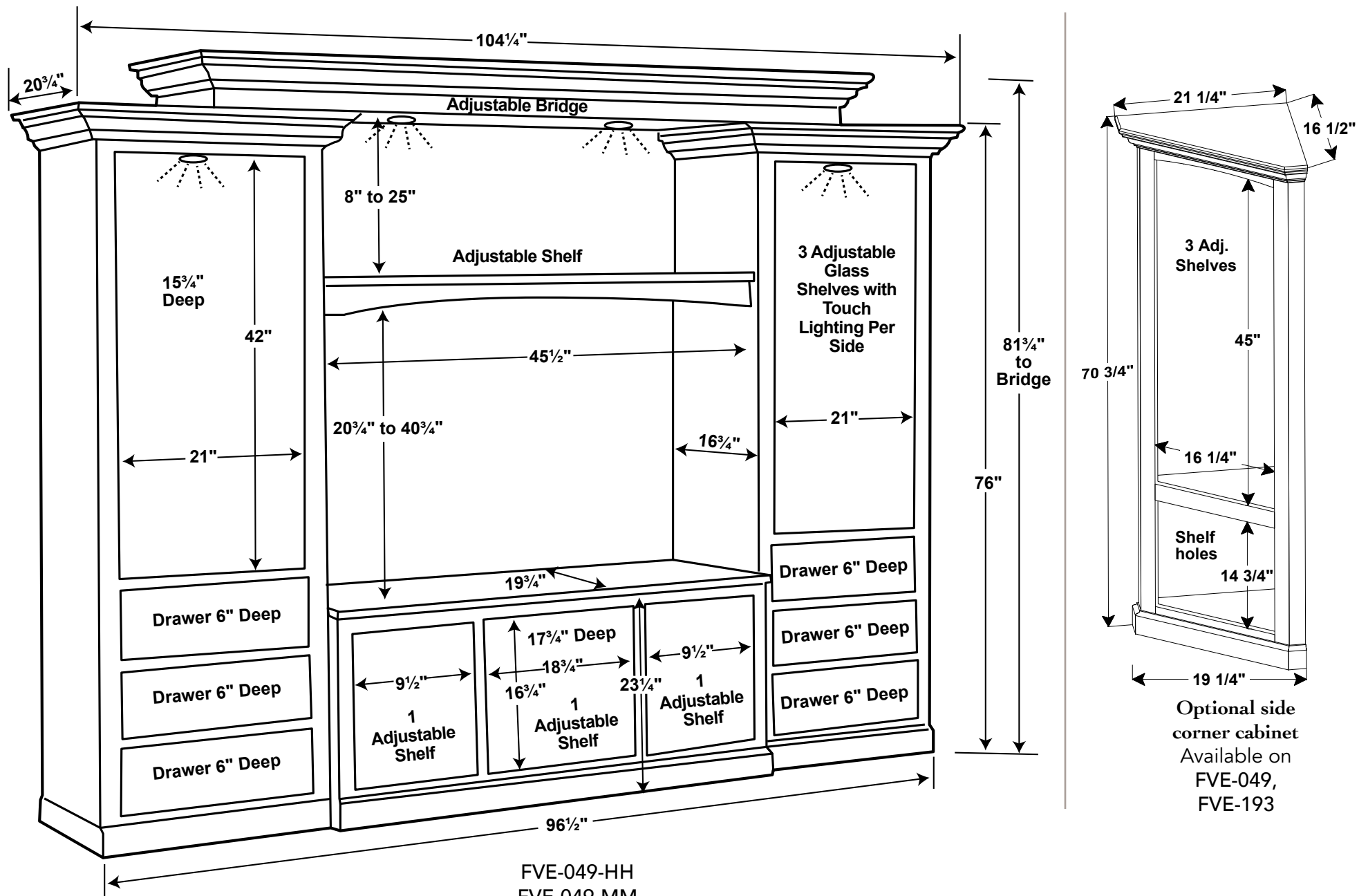
45 1/2" Wide; 50 1/2" Wide;

55 1/2" Wide; 60 1/2" Wide;

68 1/2" Wide

Please specify width when ordering

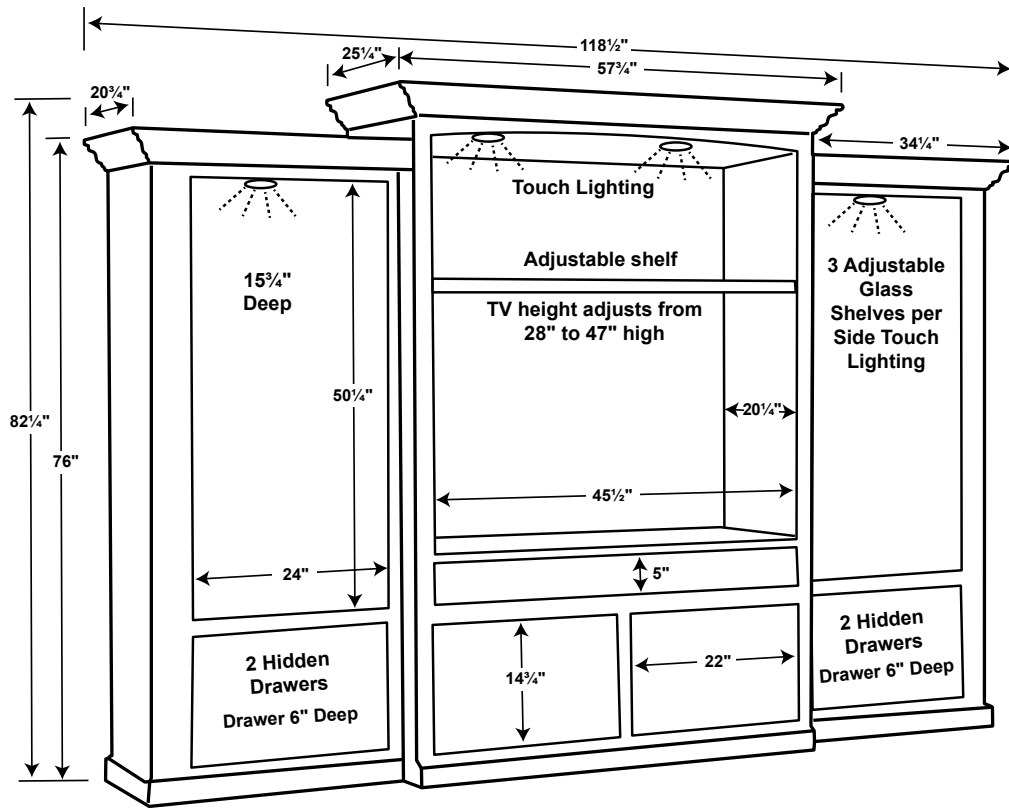
Dimensional Details | media wall units



These overall measurements are for Manhattan Mission.
Please deduct 2 1/4" in width for Hoosier Heritage style

Hoosier Heritage and Manhattan Mission consoles have same dimensions
Available in 45 1/2", 50 1/2", 55 1/2", 60 1/2", 68 1/2" wide
Height stays the same

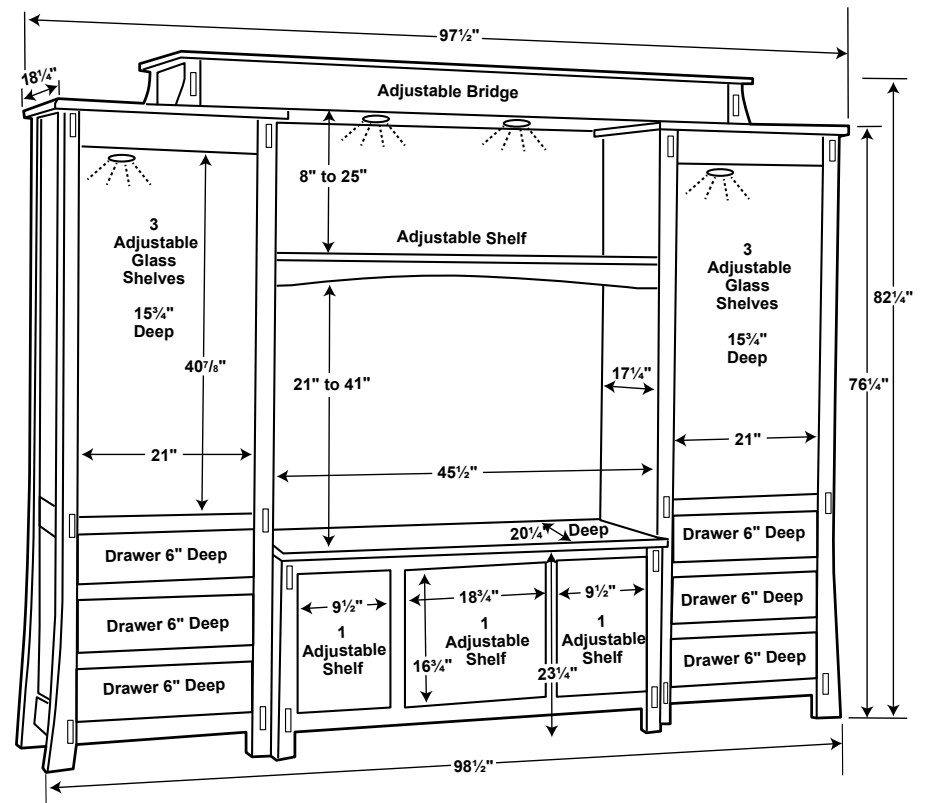
Dimensional Details | media wall units



FVE-193-MM
FVE-193-VS

TV sits 26 3/4" off the floor
These overall measurements are for Manhattan Mission.
Please deduct 2 1/4" in width for Victorian style

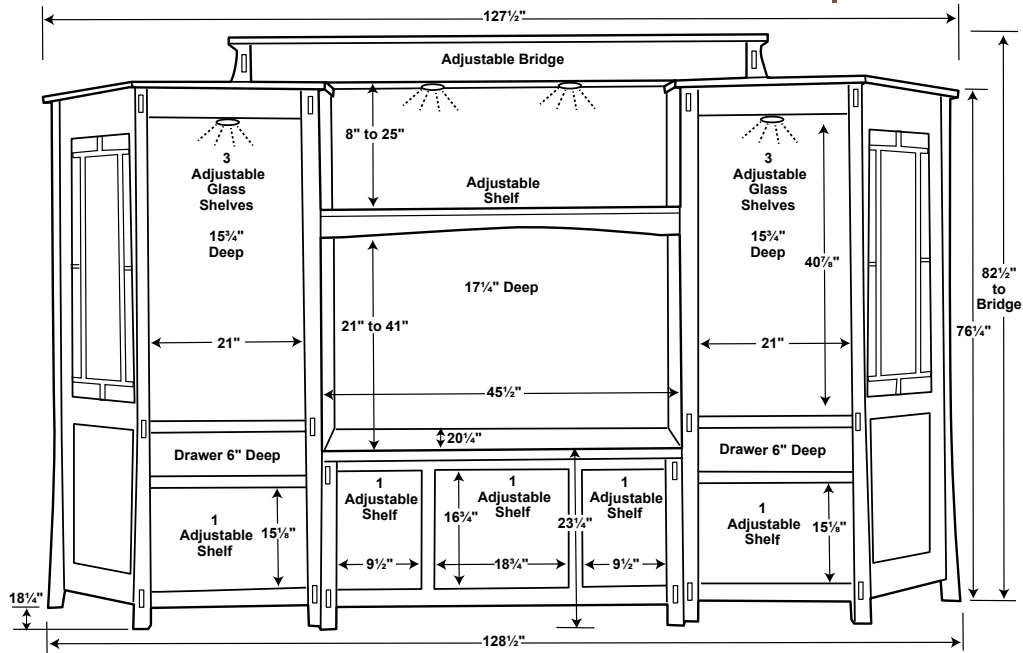
Available in 4 different increments
45 1/2" Wide; 50 1/2" Wide;
55 1/2" Wide; 60 1/2" Wide
Please specify width when ordering



FVE-049-MD

Available in 5 different increments
45 1/2" Wide; 50 1/2" Wide;
55 1/2" Wide; 60 1/2" Wide;
68 1/2" Wide
Please specify width when ordering

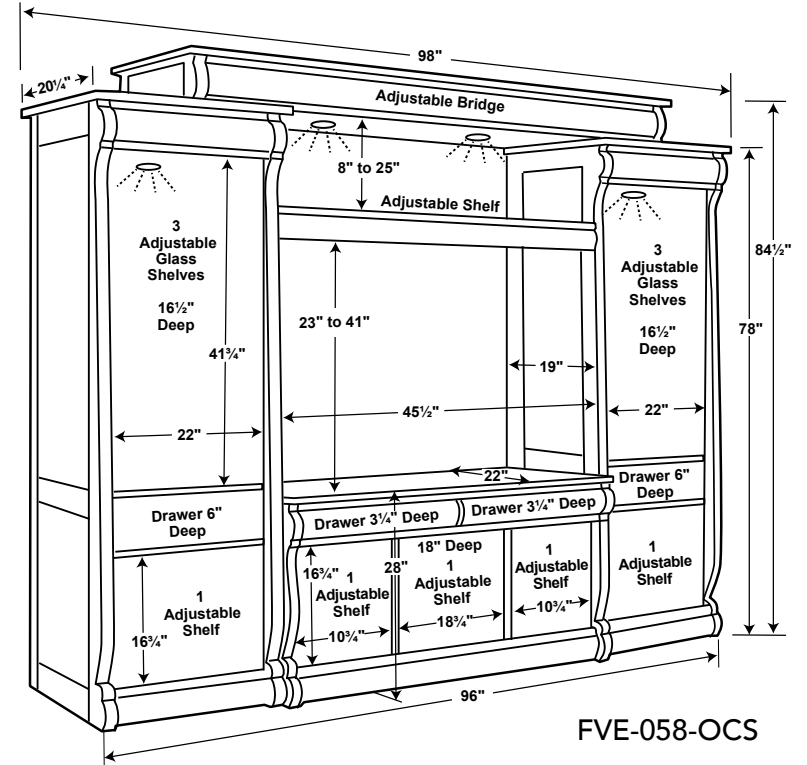
Dimensional Details | media wall units



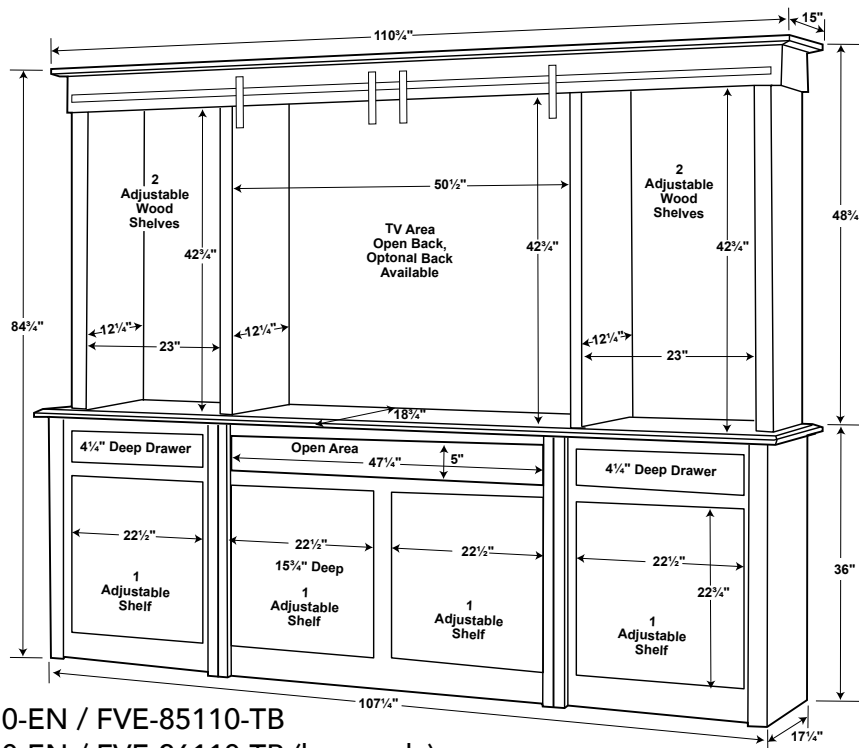
FVE-051-MD

Available in 5 increments

45 1/2", 50 1/2", 55 1/2", 60 1/2", 68 1/2" wide – Height stays the same

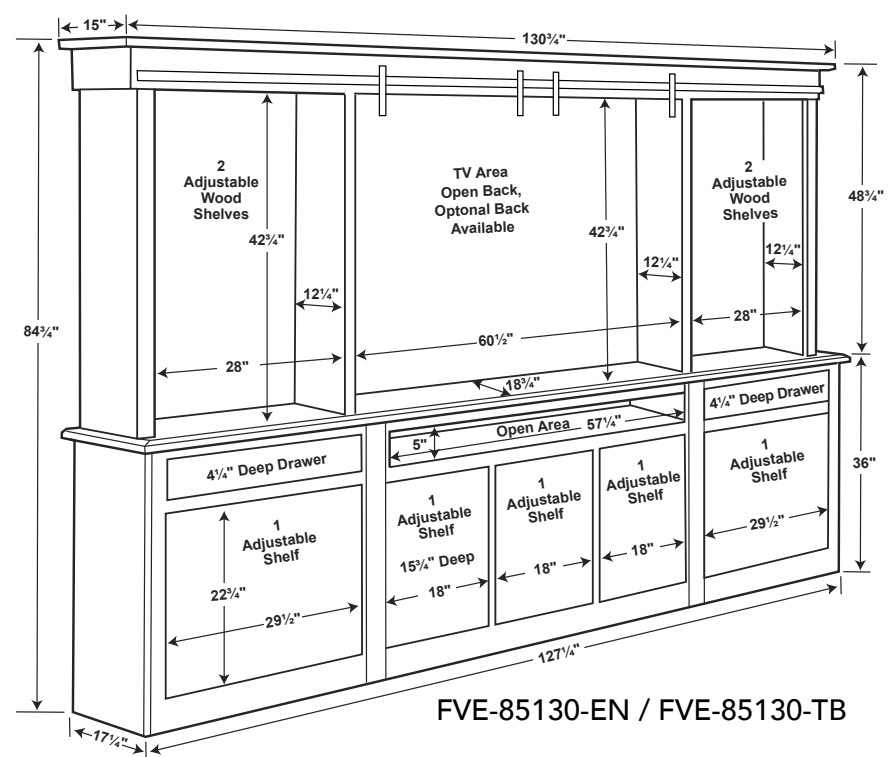


FVE-058-OCS



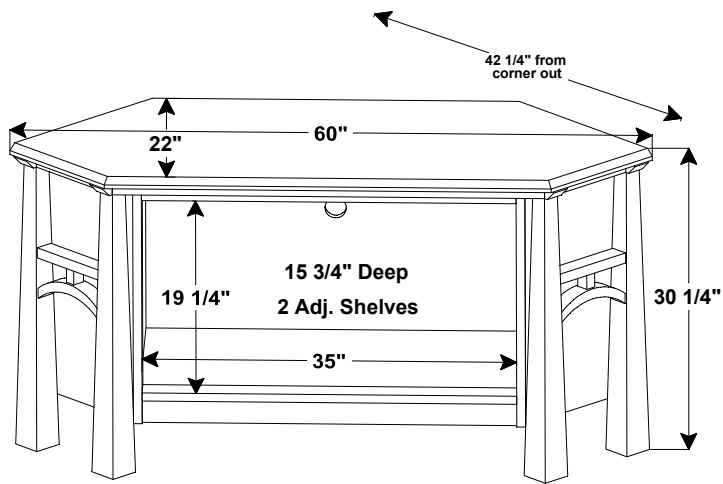
FVE-85110-EN / FVE-85110-TB

FVE-36110-EN / FVE-36110-TB (base only)

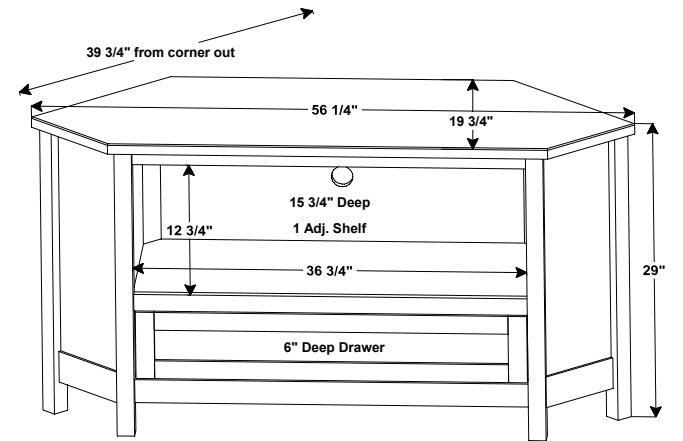


FVE-85130-EN / FVE-85130-TB

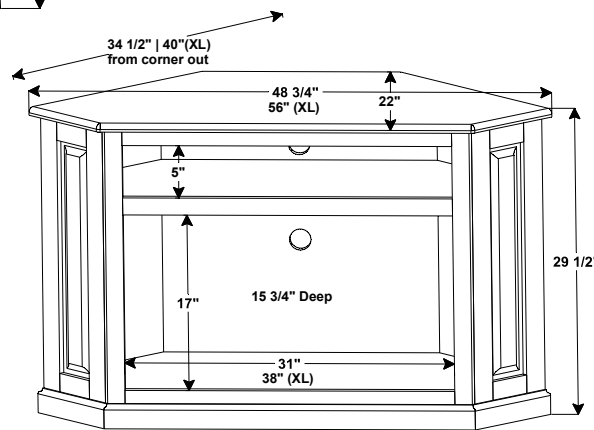
Dimensional Details | media corner consoles & hutches



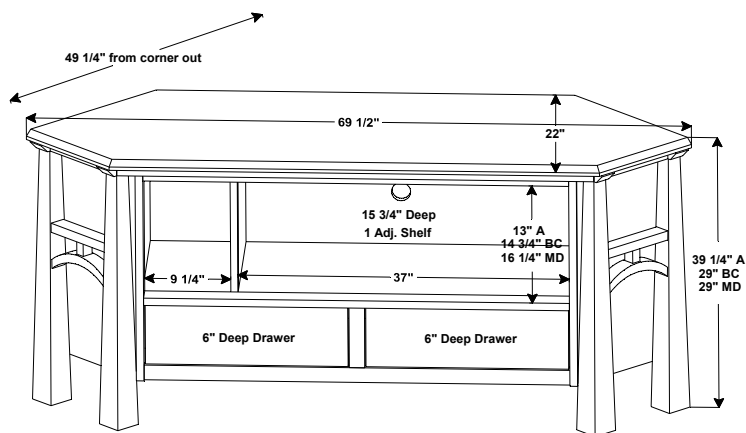
FVE-3060-A-BP



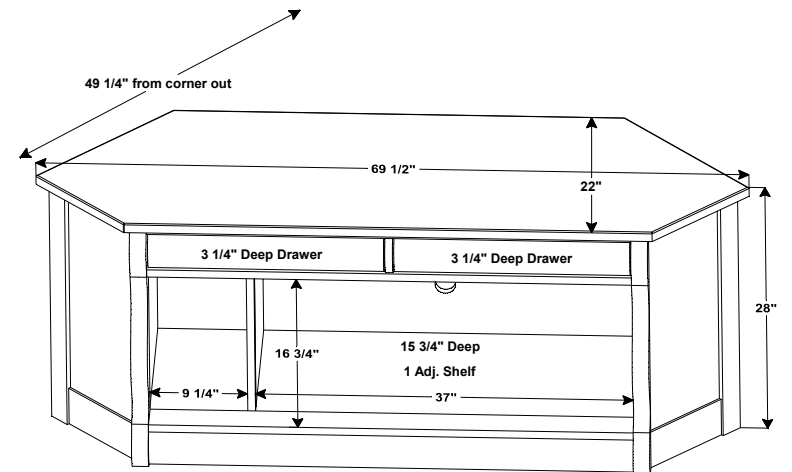
FVE-2956-BC
FVE-2956-CN



FVE-033-C, FVE-033-M,
FVE-033-XL

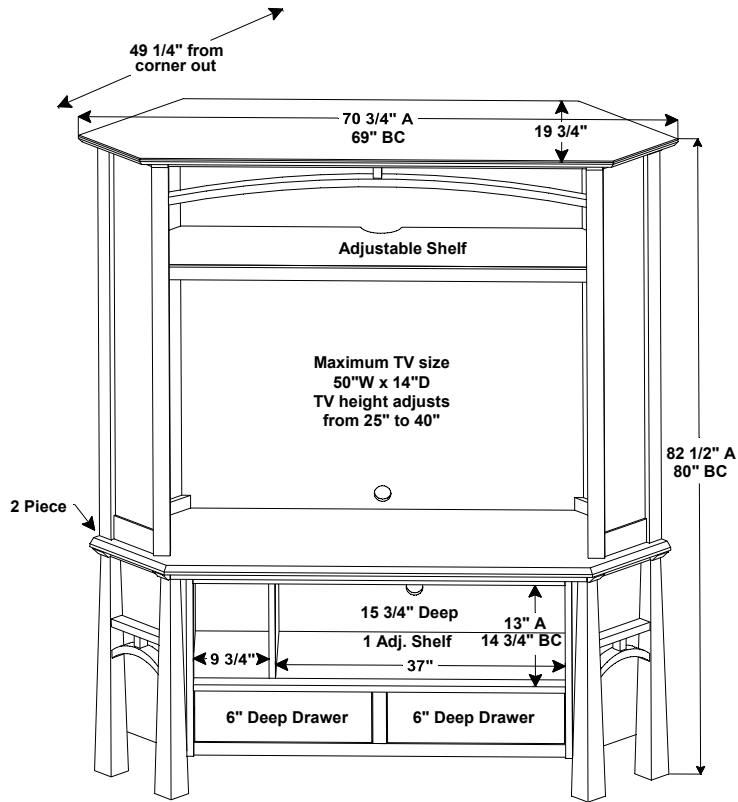


FVE-053-A-BP,
FVE-053-BC-BP,
FVE-053-MD-BP

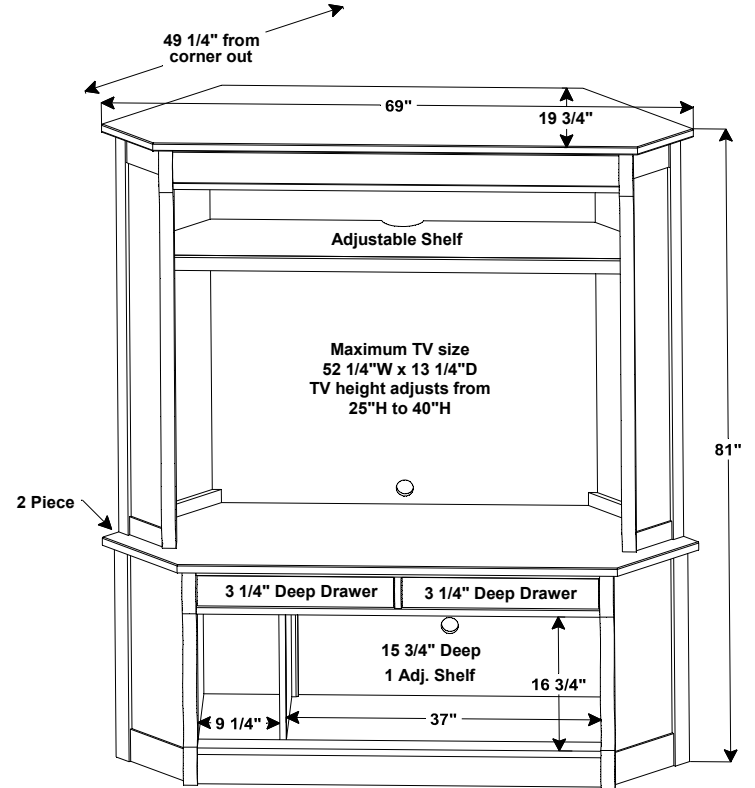


FVE-053-OCS-BP

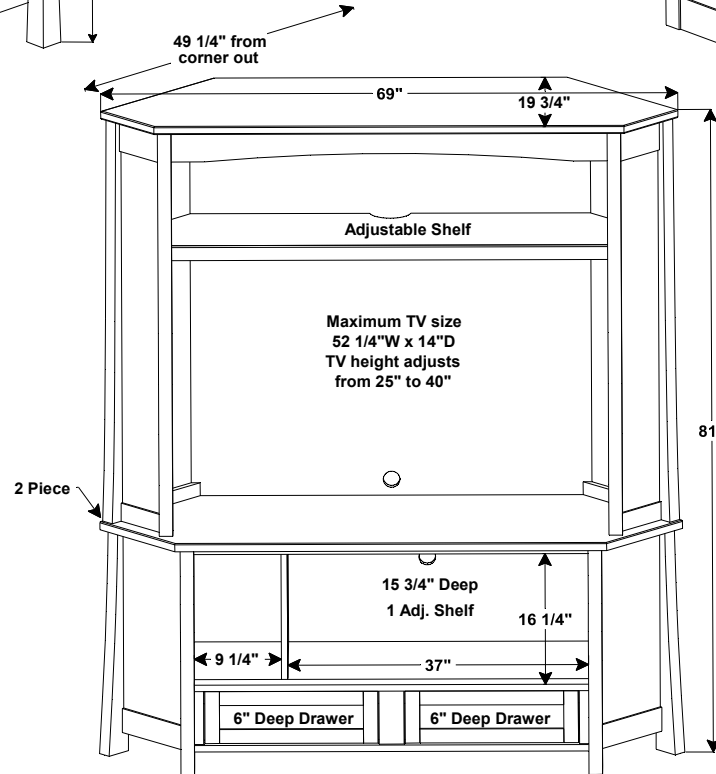
Dimensional Details | media corner consoles & hutches



FVE-053-A
Base only 69½" W x 22" D x 30¼" H
FVE-053-BC
Base only 69½" W x 22" D x 29" H

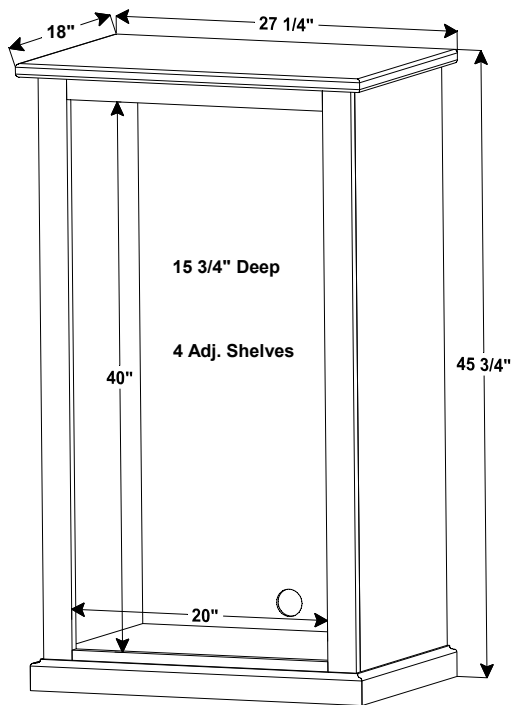


FVE-053-OCS
Base only 69½" W x 22" D x 28" H

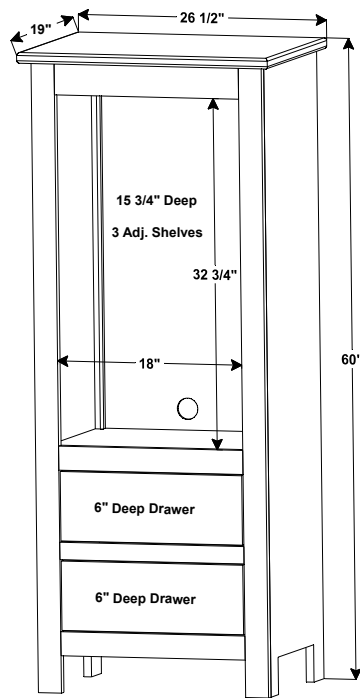


FVE-053-MD
Base only 69½" W x 22" D x 29" H

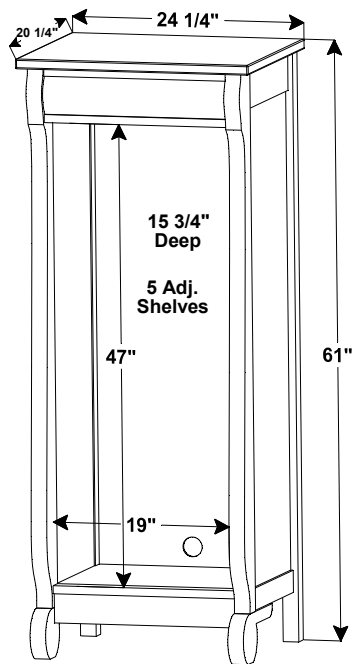
Dimensional Details | stereo cabinets & back bar



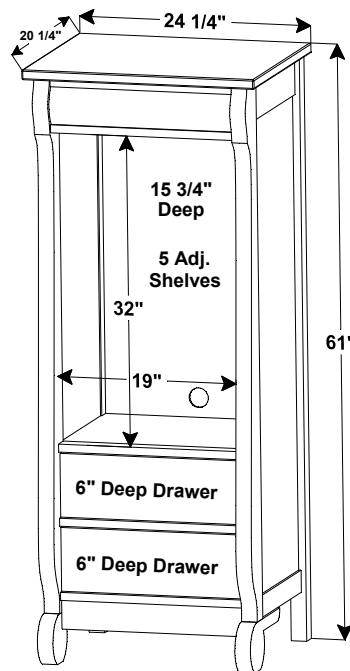
FVE-026-C, FVE-026-M



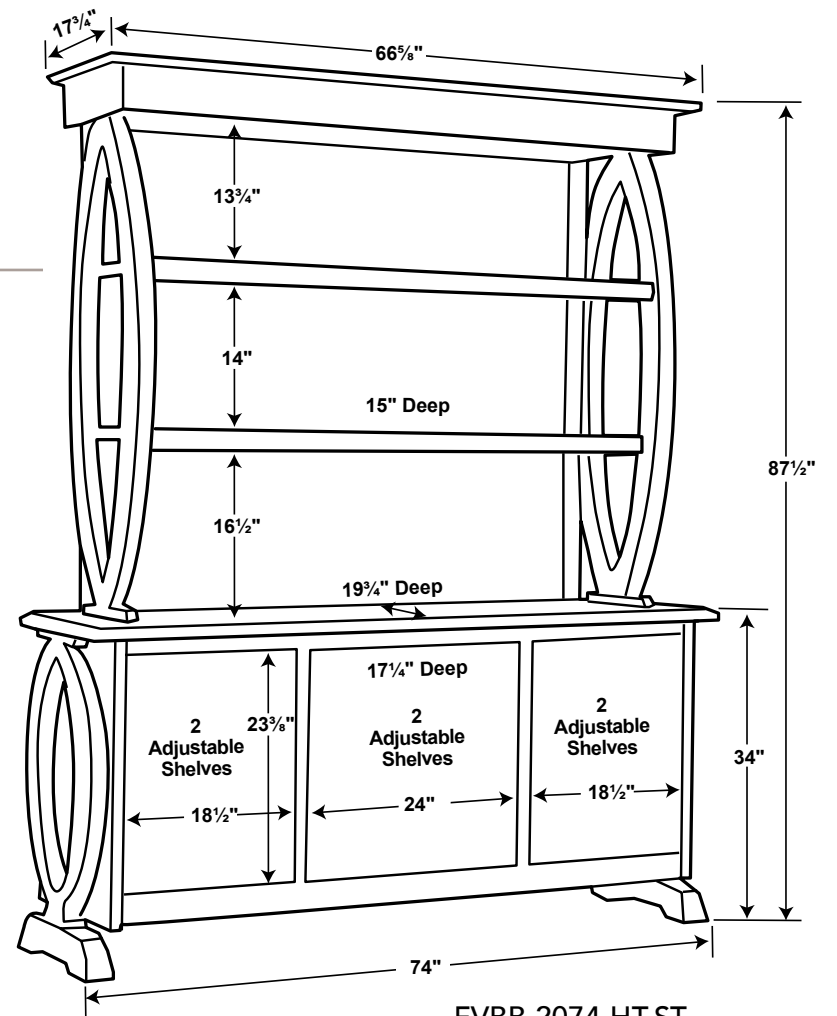
FVE-027-HH, FVE-027-M



FVE-026-OCS

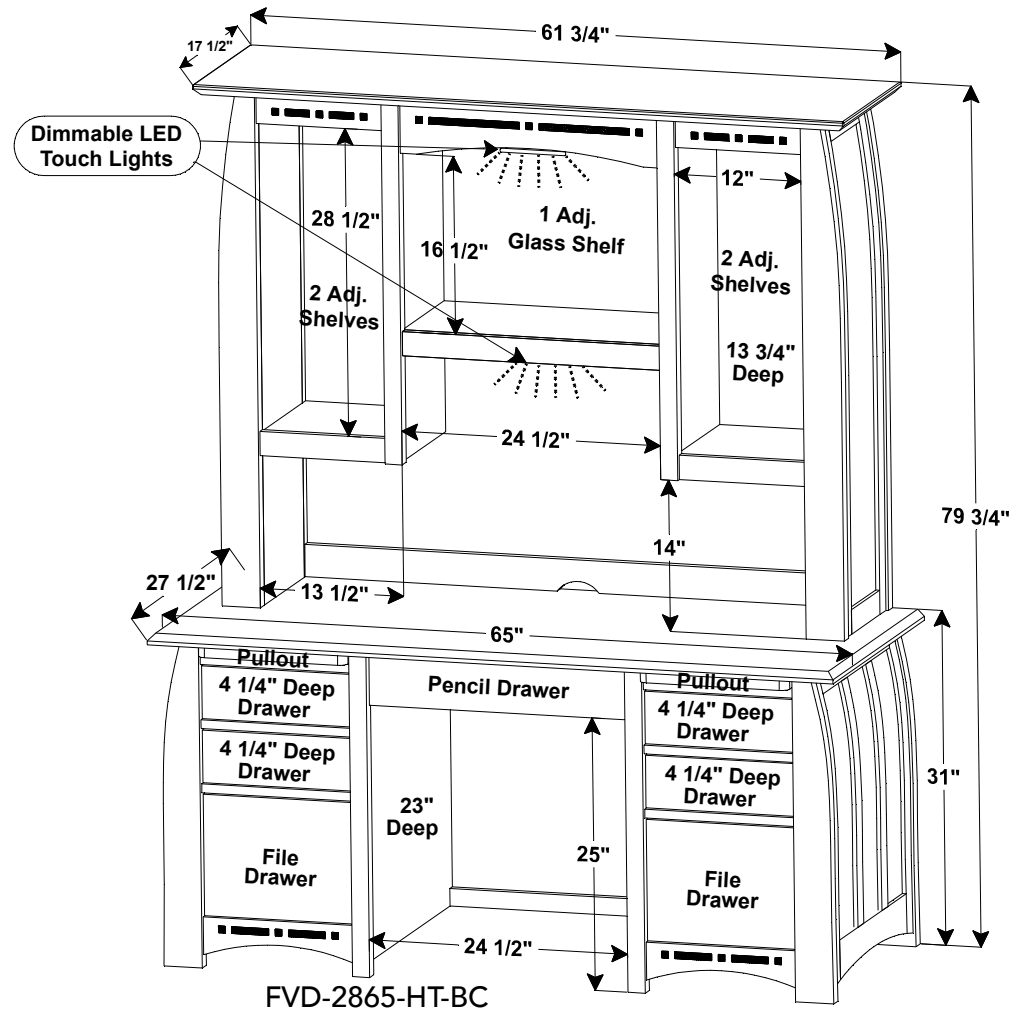
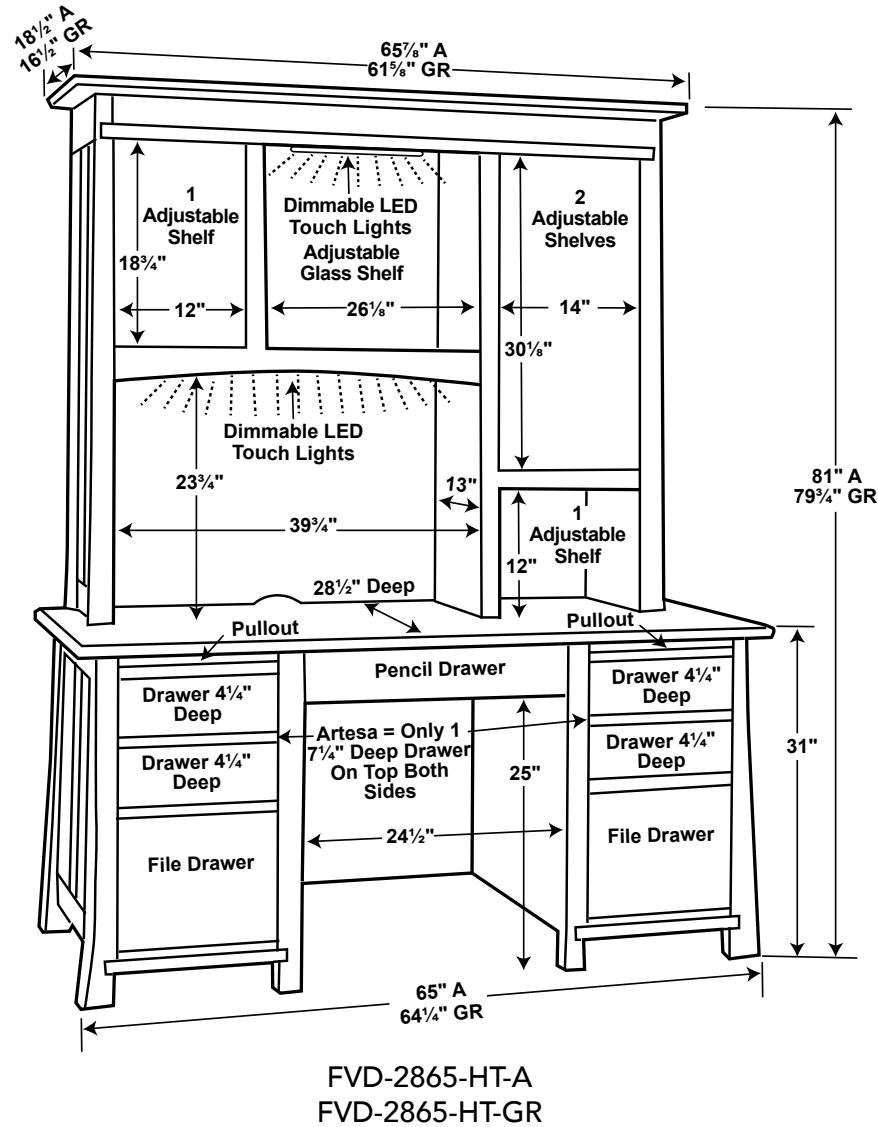
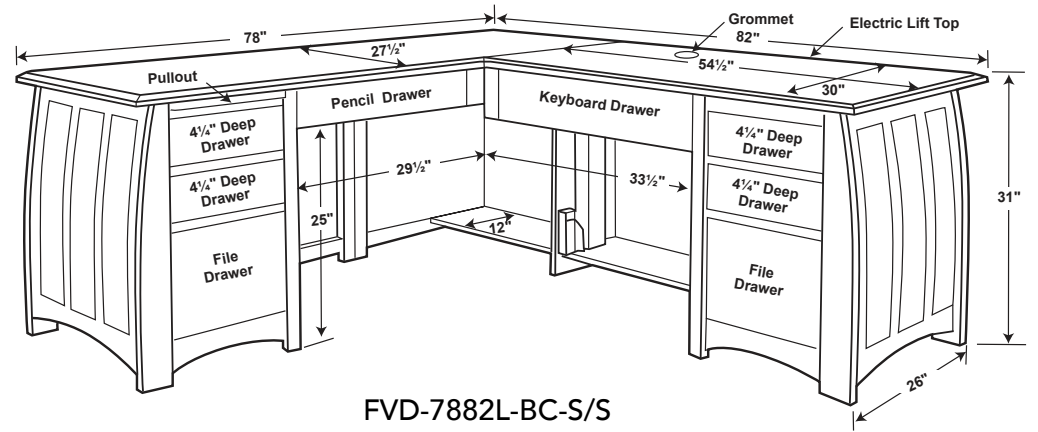


FVE-027-OCS

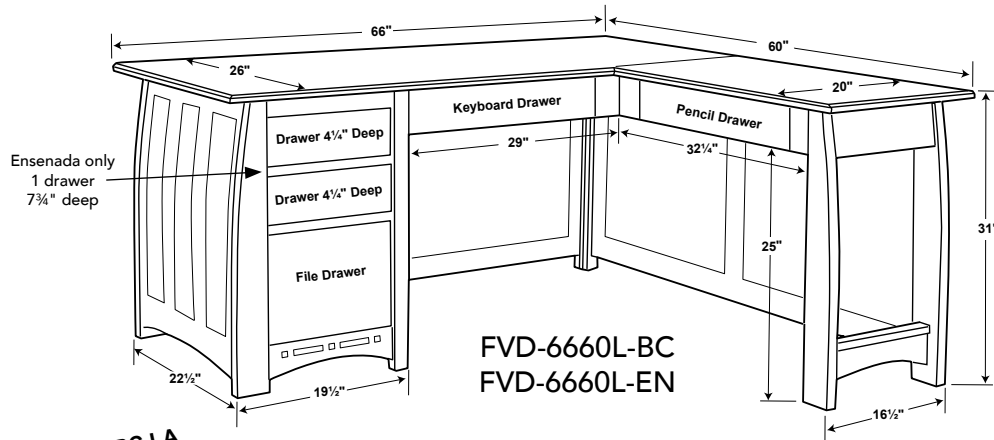


FVBB-2074-HT-ST

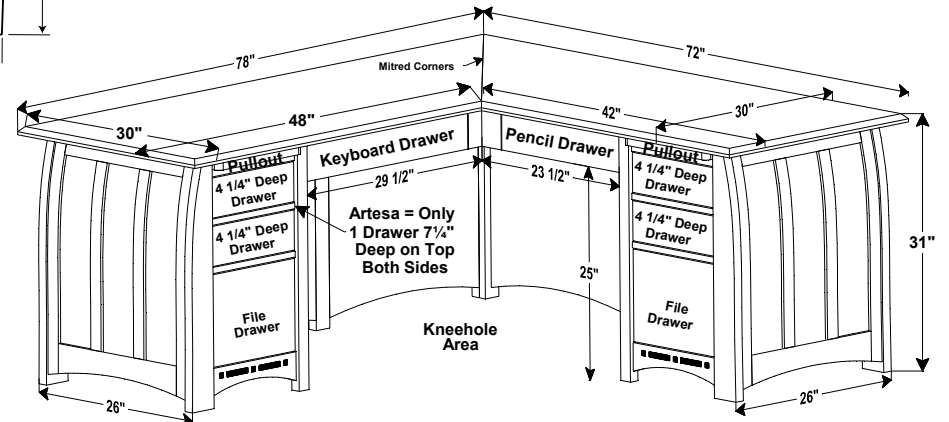
Dimensional Details | 2 piece desks



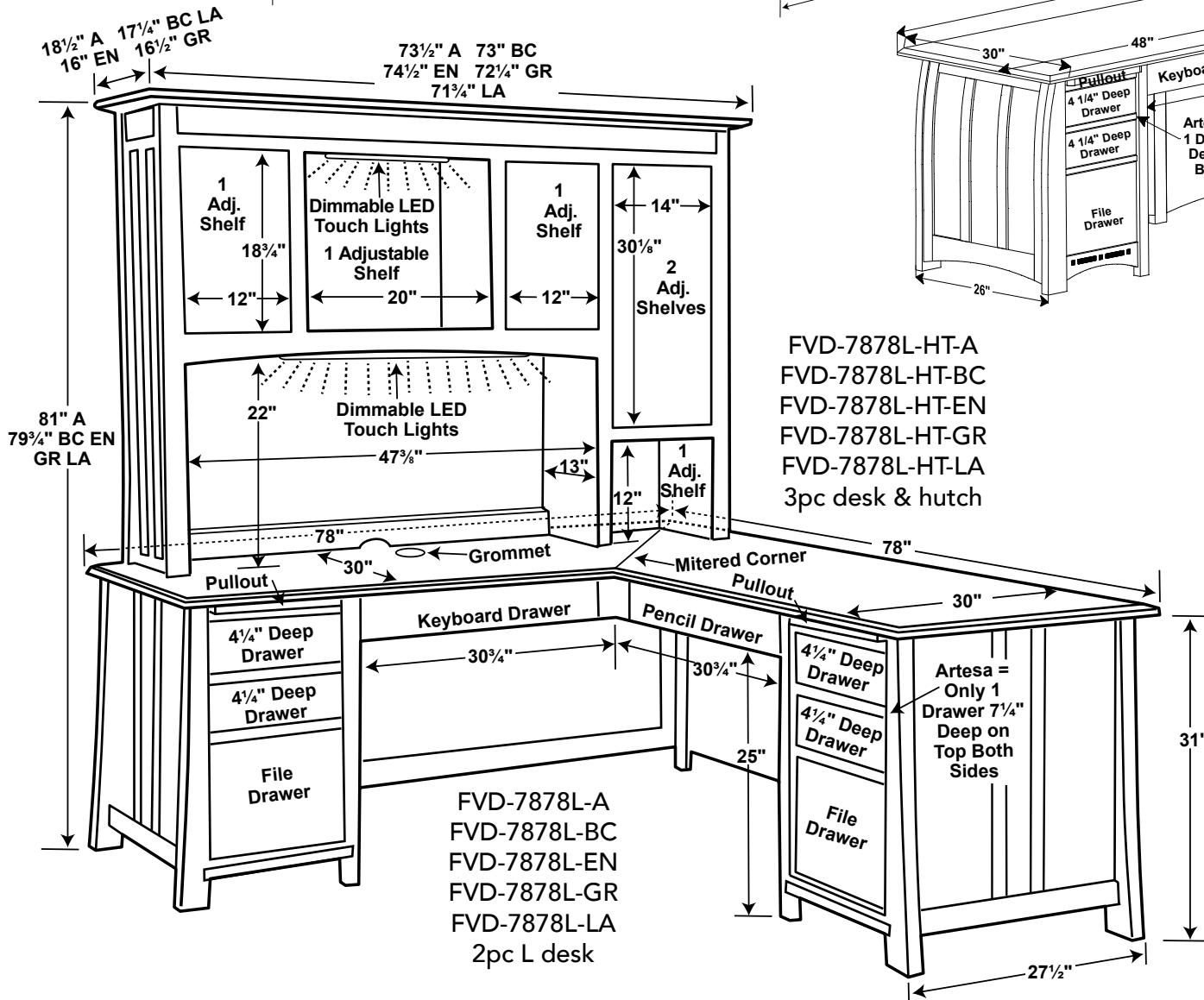
Dimensional Details | L desks



FVD-6660L-BC
FVD-6660L-EN



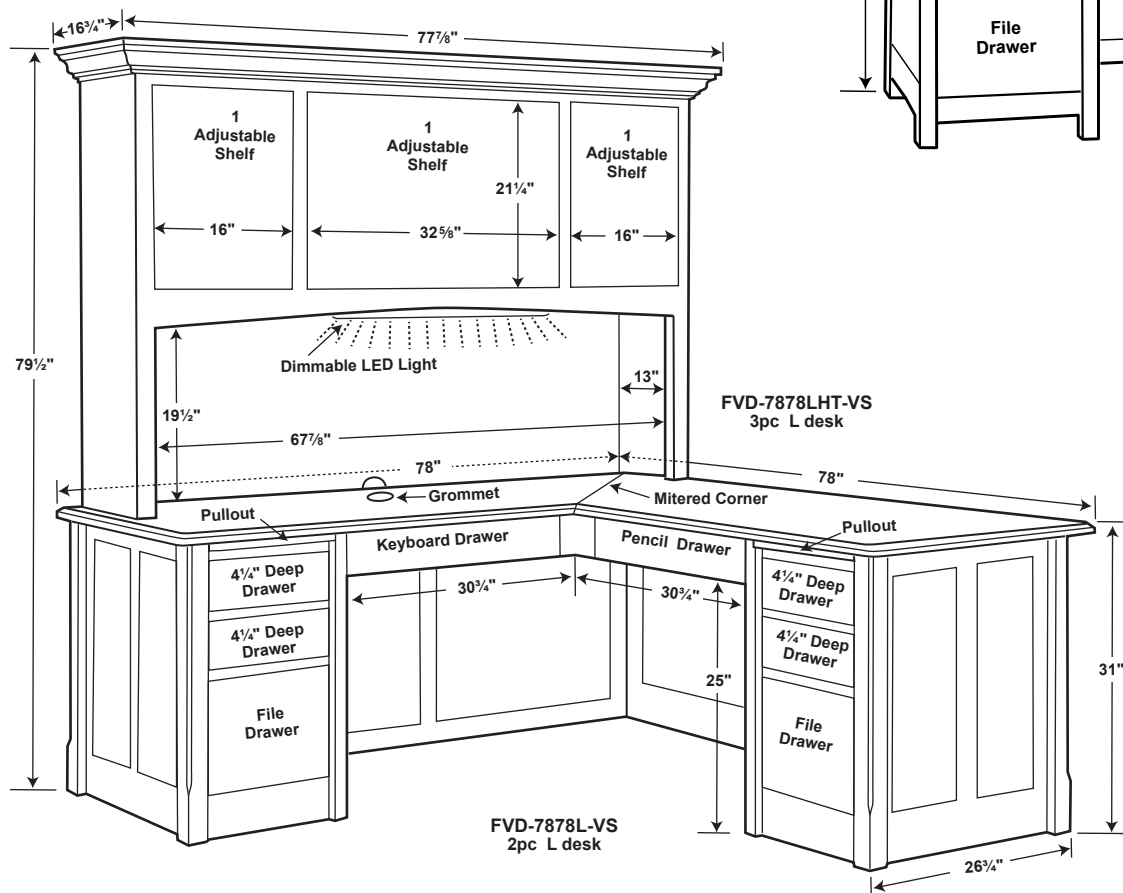
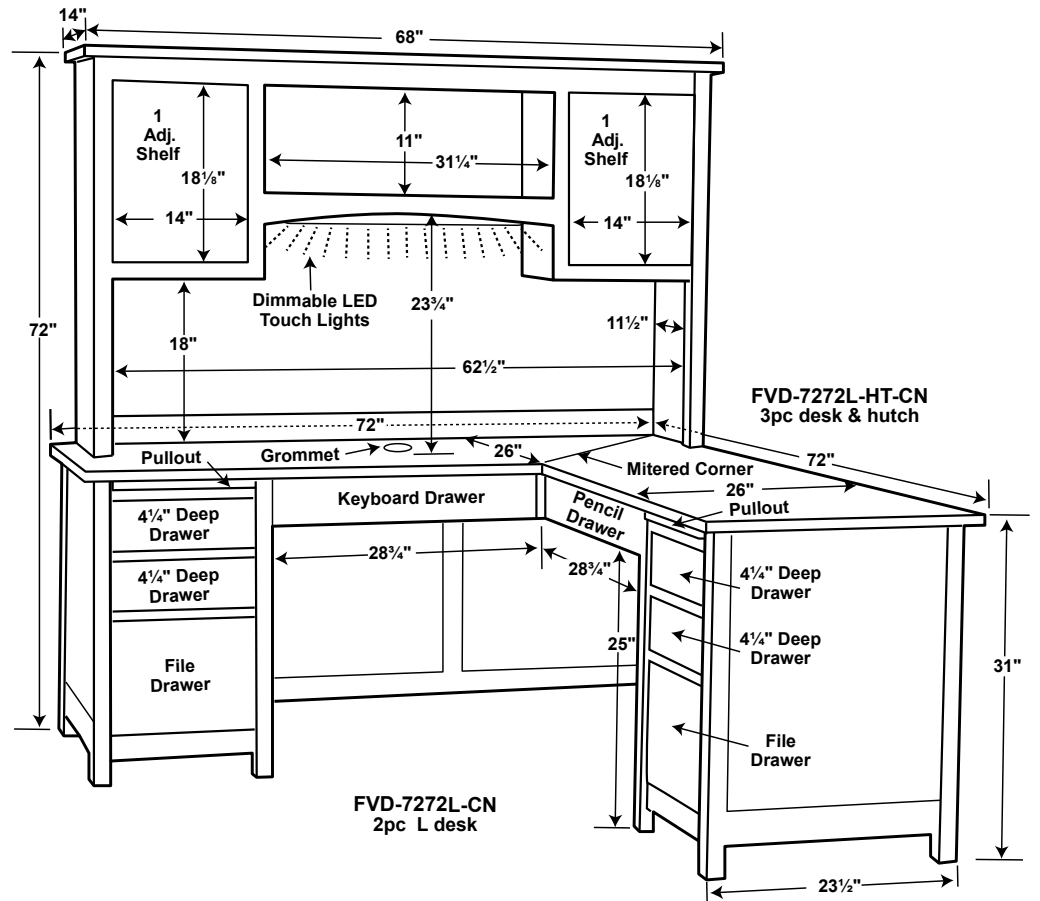
FVD-7872L-A
FVD-7872L-BC



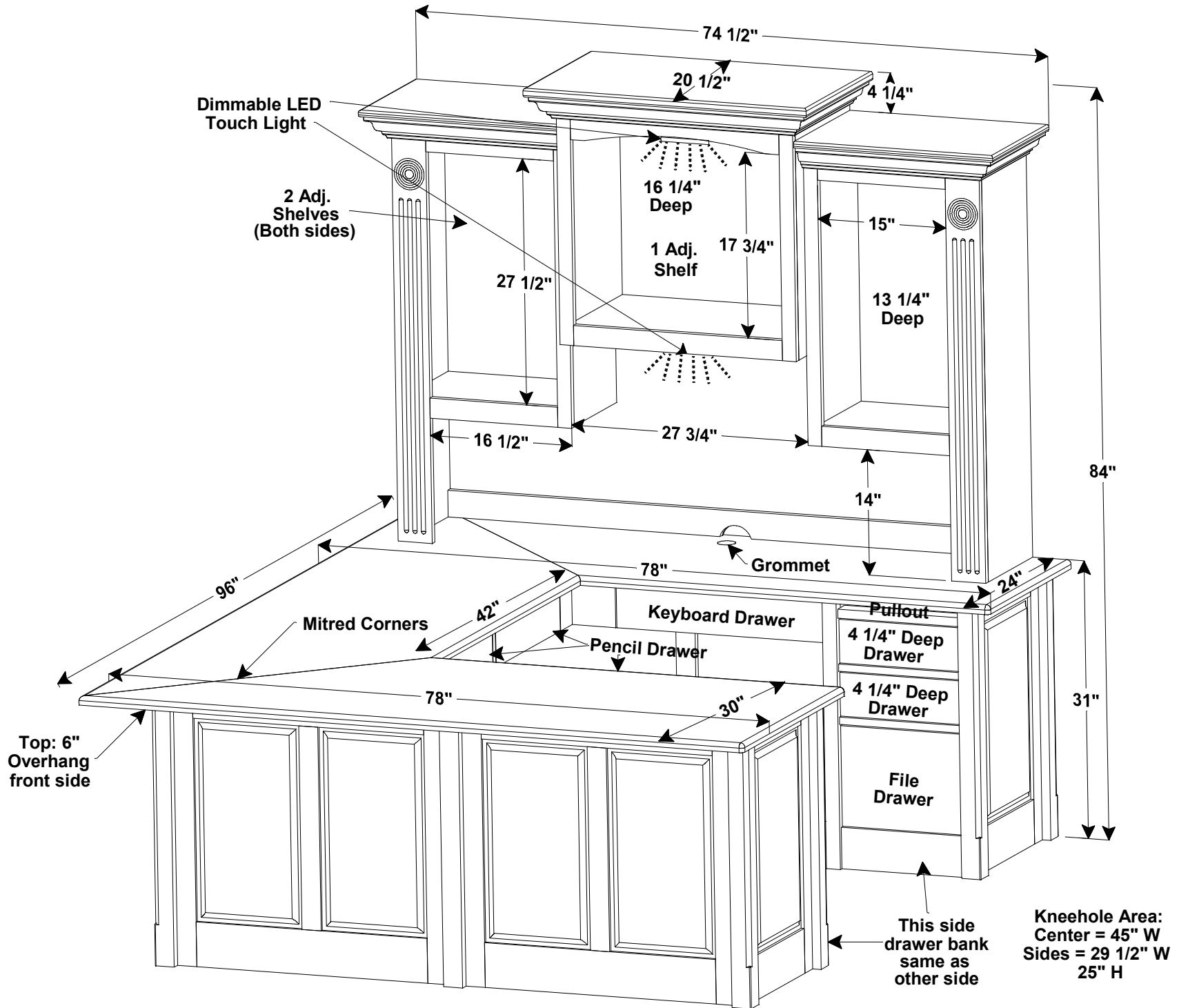
FVD-7878L-A
FVD-7878L-BC
FVD-7878L-EN
FVD-7878L-GR
FVD-7878L-LA
2pc L desk

FVD-7878L-HT-A
FVD-7878L-HT-BC
FVD-7878L-HT-EN
FVD-7878L-HT-GR
FVD-7878L-HT-LA
3pc desk & hutch

Dimensional Details | L desks

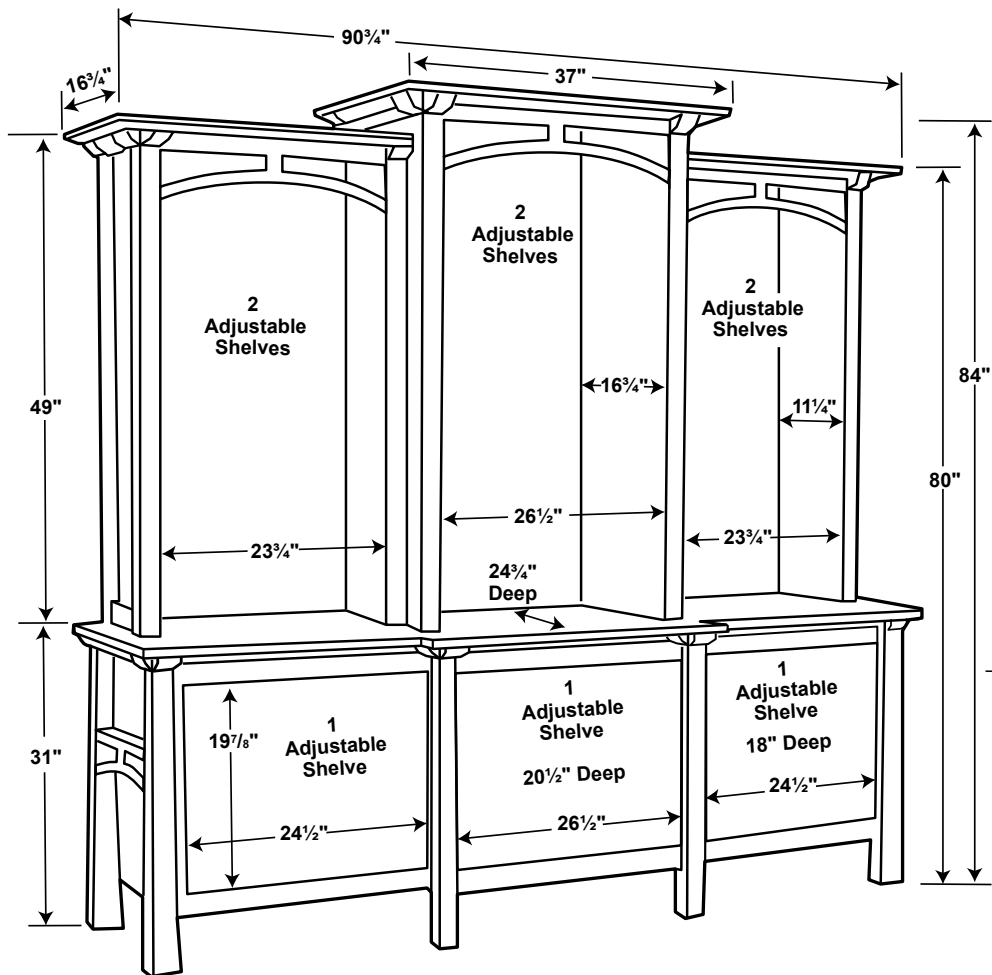


Dimensional Details | 4 piece desk

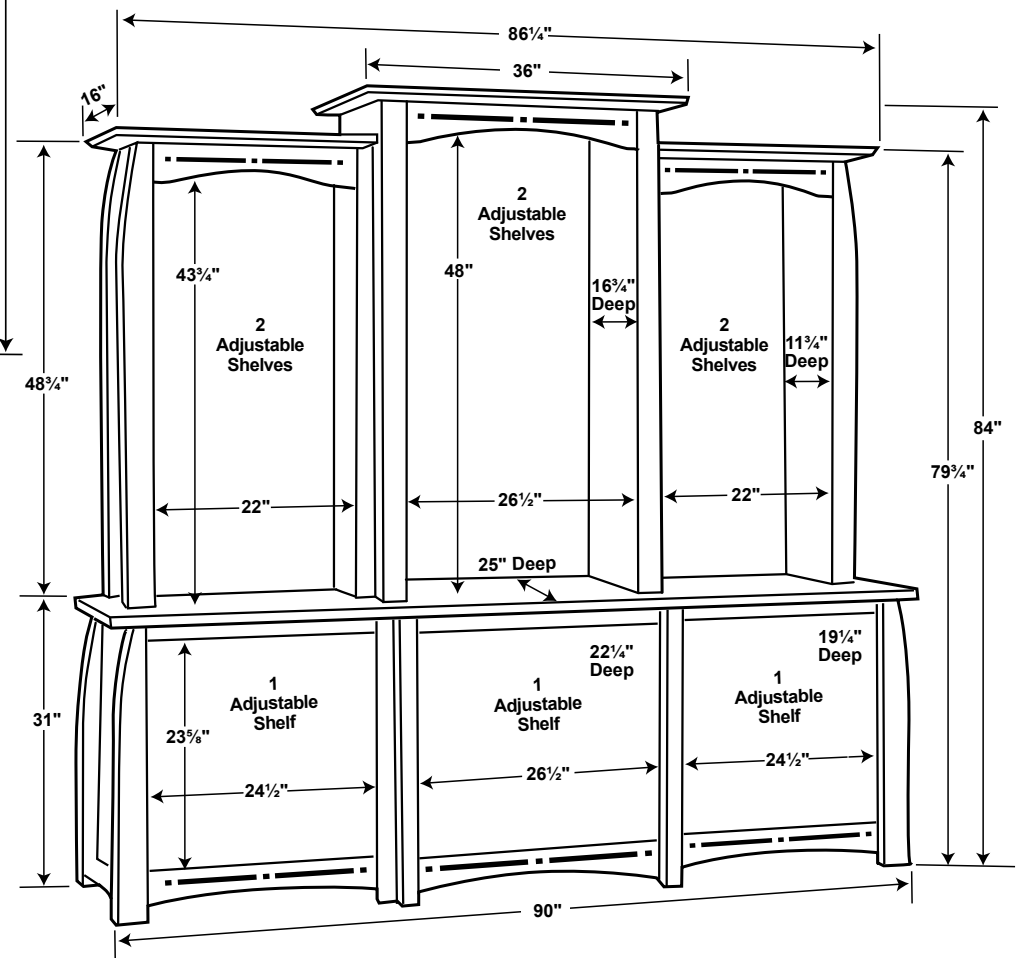


FVD-9678U-HT-VS

Dimensional Details | 4pc Backbars



FVBB-2590-HT-A



FVBB-2590-HT-BC



Jerks Valley Woodworking

**QUALITY
HANDCRAFTED FURNITURE**

Martin J Yoder

EST. 2002



**FORKS VALLEY
WOODWORKING**